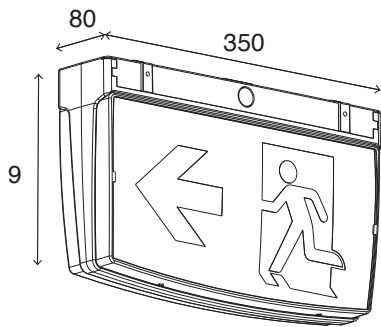


# TECHNICAL INFORMATION

## EXIT SIGN

Value running man exit sign with 6 interchangeable PVC legends is easy to install thanks to screw terminal. LEDVANCE Exit Sign is a classic, surface mounted, double sided design. With a maintained lithium battery and a discharge time of up to 3 hours. Indoor application only IP20 and 24m viewing distance.

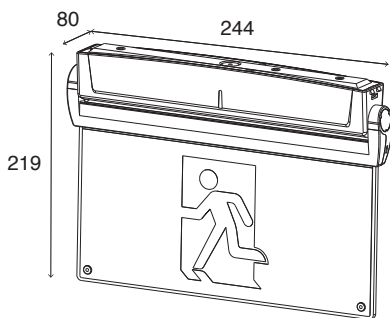


EAN10	Product name	Model Number	Wattage	CCT	IP	Length (mm)	Width (mm)	Height (mm)	Converter Length (mm)	Converter Width (mm)	Converter Height (mm)	Weight (g)	Viewing Distance	Terminal Block	Maintained	Classification	Charging Time	Discharge Time	Battery Type	Product colour	Warranty
4058075443303	LDVAL EXIT 3W 350MM 6X1 AU LEDV	LDVEXIT	3W	6500K	20	350	80	219	N/A	N/A	N/A	970g	24m	Screw	Maintained	N/A	24/16h	3H/2H	LiFePO4	White	5 years

\*3year warranty on battery

## 5IN1 EXIT SIGN

Thanks to 3 different mounting brackets and its double-sided edge lit acrylic face, this LEDVANCE 5 in 1 exit sign will suit any of your application needs with a quick and simple installation thanks to screw terminal. This stylish and versatile exit sign comes complete with 7 interchangeable PVC legends. Choose from suspending, side-mounting or recessing, with a maintained lithium battery and a discharge time of up to 3 hours. Indoor application only IP20 and 24m viewing distance.



EAN10	Product name	Model Number	Wattage	CCT	IP	Length (mm)	Width (mm)	Height (mm)	Converter Length (mm)	Converter Width (mm)	Converter Height (mm)	Weight (g)	Viewing Distance	Terminal Block	Maintained	Classification	Charging Time	Discharge Time	Battery Type	Product colour	Warranty
4058075443327	LDVAL EXIT MULTI 2W 344MM 6X1 AU LEDV	LDVEXIT5IN1	2	6500K	20	244	80	219	N/A	N/A	N/A	769g	24m	Screw	Maintained	N/A	24/16h	3H/2H	LiFePO4	White	5 years

\*3year warranty on battery