



Safety position switch with separate actuator Molded-plastic enclosure lateral and face-end Slow-action contacts 1 NO+2 NC, 3 x (M20 x 1.5) with automatic ejection Supplied without actuator

product brand name	SIRIUS
product designation	safety position switch
product type designation	3SE22
suitability for use safety switch	Yes
General technical data	
insulation voltage rated value	500 V
surge voltage resistance rated value	6 kV
protection class IP	IP67
mechanical service life (operating cycles) typical	1 000 000
thermal current	10 A
reference code according to IEC 81346-2	B
active principle	mechanical
Substance Prohibition (Date)	07/01/2006
SVHC substance name	Blei - 7439-92-1
length of the sensor	90 mm
width of the sensor	52 mm
Ambient conditions	
ambient temperature	
• during operation	-30 ... +80 °C
• during storage	-30 ... +80 °C
explosion protection category for dust	none
design of the switching contact	mechanical
operating frequency rated value	60 ... 50 Hz
number of NC contacts for auxiliary contacts	2
number of NO contacts for auxiliary contacts	1
operational current at AC-15	
• at 230 V rated value	4 A
operational current at DC-13	
• at 24 V rated value	4 A
Enclosure	
design of the housing	wide
material of the enclosure	glass fiber reinforced thermoplast
coating of the enclosure	Other types
design of the housing according to standard	No
Drive Head	
design of the actuating element	without
design of the switching function	positive opening
circuit principle	slow-action contacts
number of switching contacts safety-related	2
cable entry type	3x (M20 x 1.5)

Installation/ mounting/ dimensions	
mounting position	any
fastening method	screw fixing
Connections/ Terminals	
type of electrical connection	screw-type terminals
type of connectable conductor cross-sections	
• solid	2x (0.75 ... 2.5 mm ²)
• finely stranded with core end processing	2x (0.75 ... 2.5 mm ²)
design of the interface for safety-related communication	without
Communication/ Protocol	
design of the interface	without
Certificates/ approvals	
General Product Approval	Declaration of Con- formity



[Confirmation](#)



EG-Konf.

Declaration of Con- formity	Test Certificates	Marine / Shipping	other
	Miscellaneous	 LRS	 PRS
		 DNV-GL	Confirmation

Further information

Siemens has decided to exit the Russian market (see here).

<https://press.siemens.com/global/en/pressrelease/siemens-wind-down-russian-business>

Siemens is working on the renewal of the current EAC certificates.

Please contact your local Siemens office on the status of validity of the EAC certification if you intend to import or offer to supply these products to an EAC relevant market (other than the sanctioned EAEU member states Russia or Belarus).

Information on the packaging

<https://support.industry.siemens.com/cs/ww/en/view/109813875>

Information- and Downloadcenter (Catalogs, Brochures,...)

<https://www.siemens.com/ic10>

Industry Mall (Online ordering system)

<https://mall.industry.siemens.com/mall/en/en/Catalog/product?mlfb=3SE2243-0XX30>

Cax online generator

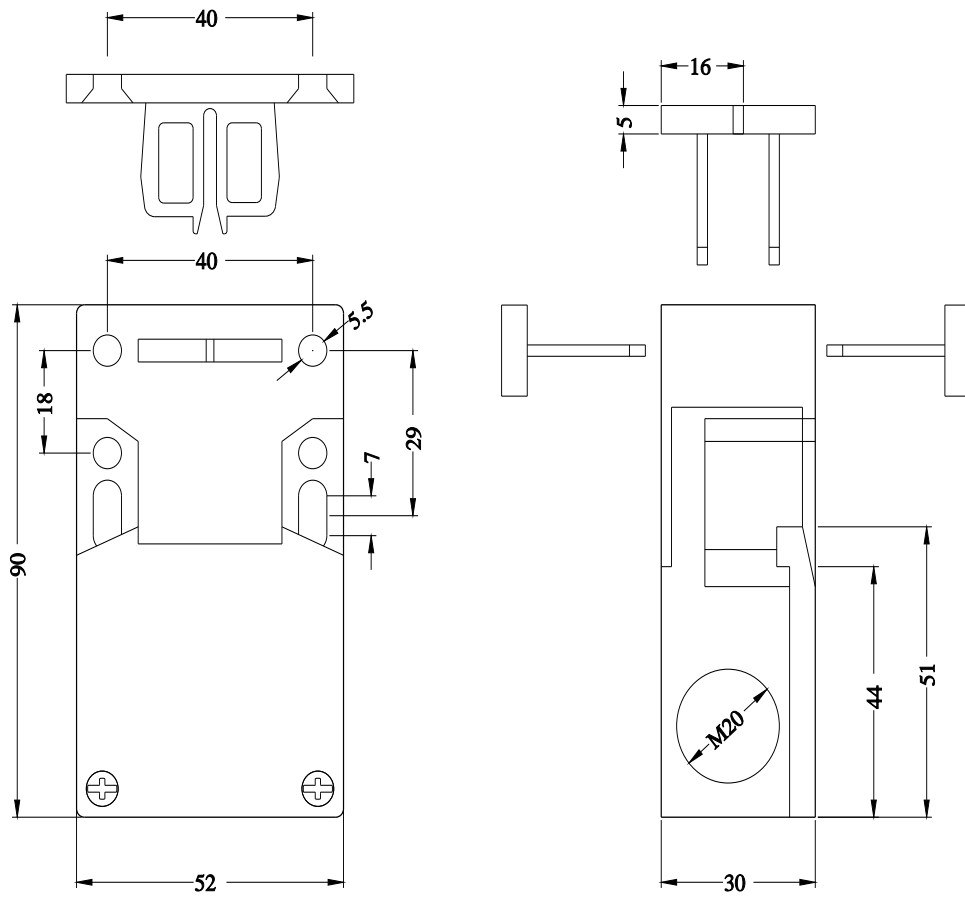
<http://support.automation.siemens.com/WW/CAXorder/default.aspx?lang=en&mlfb=3SE2243-0XX30>

Service&Support (Manuals, Certificates, Characteristics, FAQs,...)

<https://support.industry.siemens.com/cs/ww/en/ps/3SE2243-0XX30>

Image database (product images, 2D dimension drawings, 3D models, device circuit diagrams, EPLAN macros, ...)

http://www.automation.siemens.com/bilddb/cax_de.aspx?mlfb=3SE2243-0XX30&lang=en



last modified:

9/5/2023 