



coupling with connecting cable 5 m long, with 8 mm latching connection, for connector 6-pole, for 3SE66 magnetically-operated switch

General technical data		
product brand name	SIRIUS	
product designation	Coupling, socket 8mm, 6-pole, snap fit, for 3SE66	
operational current at 40 °C rated value	1.5 A	
operating voltage rated value	30 V	
number of poles	6	
wire length of connection cable	5 m	
ambient temperature during operation	-25 ... +80 °C	
type of electrical connection	8 mm connector, 6-pin, snap-in locking mechanism	
color coding of the core	Pin 1 = BN, Pin 2 = WH, Pin 3 = GN, Pin 4 = YE, Pin 5 = GY, Pin 6 = BU	
overvoltage category	2	
degree of pollution	3	
protection class IP	IP65	
material		
• of the contact	CuZn	
• of contact coating	Au	
• of contact main body	TPU	
Certificates/ approvals		
General Product Approval	Declaration of Conformity	other

[Confirmation](#)



[Confirmation](#)

### Further information

Siemens has decided to exit the Russian market (see here).

<https://press.siemens.com/global/en/pressrelease/siemens-wind-down-russian-business>

Siemens is working on the renewal of the current EAC certificates.

Please contact your local Siemens office on the status of validity of the EAC certification if you intend to import or offer to supply these products to an EAC relevant market (other than the sanctioned EAEU member states Russia or Belarus).

Information on the packaging

<https://support.industry.siemens.com/cs/ww/en/view/109813875>

Information- and Downloadcenter (Catalogs, Brochures,...)

<https://www.siemens.com/ic10>

Industry Mall (Online ordering system)

<https://mall.industry.siemens.com/mall/en/en/Catalog/product?mlfb=3SX5601-4GA05>

Cax online generator

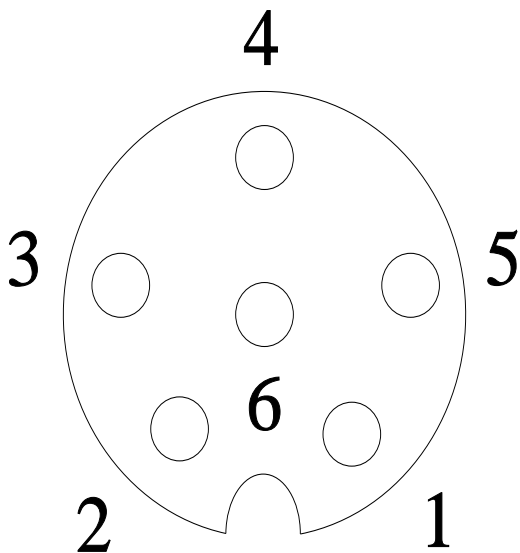
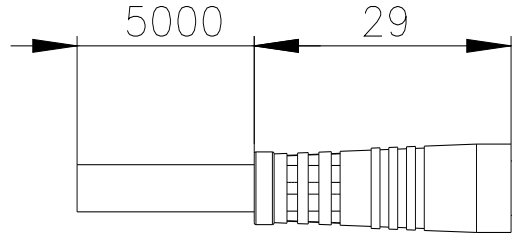
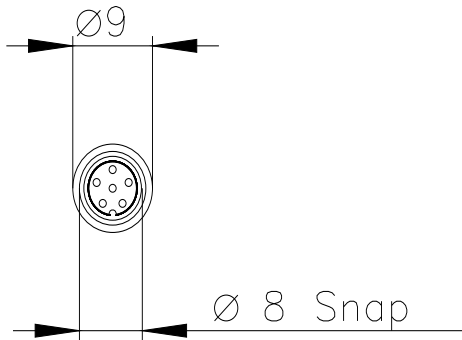
<http://support.automation.siemens.com/WW/CAXorder/default.aspx?lang=en&mlfb=3SX5601-4GA05>

Service&Support (Manuals, Certificates, Characteristics, FAQs,...)

<https://support.industry.siemens.com/cs/ww/en/ps/3SX5601-4GA05>

Image database (product images, 2D dimension drawings, 3D models, device circuit diagrams, EPLAN macros, ...)

[http://www.automation.siemens.com/bilddb/cax\\_de.aspx?mlfb=3SX5601-4GA05&lang=en](http://www.automation.siemens.com/bilddb/cax_de.aspx?mlfb=3SX5601-4GA05&lang=en)



1	BN = Brown
2	WH = White
3	GN = Green
4	YE = Yellow
5	GY = Grey
6	BU = Blue

