



position switch plastic enclosure according to EN 50047, 31 mm 1 NO/1 NC quick action contacts integrated (not replaceable) with M12 connector, 4-pole pin assignment: Pin1=21, Pin2=22 Pin3=13, Pin4=14 for max. 250 V and 4 A, with rounded plunger

| | |
|---|---|
| product brand name | SIRIUS |
| product designation | Mechanical position switches |
| product type designation | 3SE5 |
| suitability for use safety switch | Yes |
| General technical data | |
| product function positive opening | Yes |
| insulation voltage rated value | 250 V |
| degree of pollution | class 3 |
| surge voltage resistance rated value | 3 kV |
| protection class IP | IP65 |
| shock resistance | |
| • according to IEC 60068-2-27 | 30g / 11 ms |
| vibration resistance | |
| • according to IEC 60068-2-6 | 0.35 mm/5g |
| mechanical service life (operating cycles) typical | 15 000 000 |
| electrical endurance (operating cycles) at AC-15 at 230 V typical | 100 000 |
| thermal current | 4 A |
| material of the enclosure of the switch head | plastic |
| reference code according to IEC 81346-2 | B |
| continuous current of the C characteristic MCB | 1 A; for a short-circuit current smaller than 400 A |
| continuous current of the quick DIAZED fuse link | 4 A; for a short-circuit current smaller than 400 A |
| continuous current of the DIAZED fuse link gG | 4 A |
| active principle | mechanical |
| repeat accuracy | 0.05 mm |
| Substance Prohibitance (Date) | 07/01/2006 |
| SVHC substance name | Blei - 7439-92-1 Imidazolidin-2-thion - 96-45-7 |
| minimum actuating force in directions of actuation | 20 N |
| length of the sensor | 89.7 mm |
| width of the sensor | 31 mm |
| Ambient conditions | |
| ambient temperature | |
| • during operation | -25 ... +85 °C |
| • during storage | -40 ... +90 °C |
| explosion protection category for dust | none |
| design of the switching contact | mechanical |
| operating frequency rated value | 50 ... 60 Hz |
| number of NC contacts for auxiliary contacts | 1 |
| number of NO contacts for auxiliary contacts | 1 |
| operational current at AC-15 | |

| | |
|---|---|
| <ul style="list-style-type: none"> • at 24 V rated value • at 125 V rated value • at 240 V rated value | 4 A |
| operational current at DC-13 | |
| <ul style="list-style-type: none"> • at 24 V rated value • at 125 V rated value • at 250 V rated value | 3 A |
| | 0.55 A |
| | 0.27 A |
| Enclosure | |
| design of the housing | block, narrow |
| material of the enclosure | plastic |
| coating of the enclosure | Other types |
| design of the housing according to standard | Yes |
| Drive Head | |
| design of the actuating element | Rounded plunger, plastic plunger |
| standard-compliant actuator head | EN 50047, design B |
| shape of the switch head | rounded |
| design of the switching function | positive opening, integrated |
| circuit principle | snap-action contacts |
| number of switching contacts safety-related | 1 |
| cable entry type | M12 plug |
| design of plug-in connection | M12 plug, 4-pole: Pin 1 = terminal 21, Pin 2 = 22, Pin 3 = 13, Pin 4 = 14 |
| Installation/ mounting/ dimensions | |
| mounting position | any |
| fastening method | screw fixing |
| Connections/ Terminals | |
| type of electrical connection | M12 plug, fixed |
| design of the interface for safety-related communication | without |
| Communication/ Protocol | |
| design of the interface | without |
| Certificates/ approvals | |
| General Product Approval | Functional Safety/Safety of Machinery |



[Confirmation](#)



[Type Examination Certificate](#)

| | | |
|---------------------------|-------------------|-------|
| Declaration of Conformity | Test Certificates | other |
|---------------------------|-------------------|-------|



[Type Test Certificates/Test Report](#)

[Type Test Certificates/Test Report](#)

[Confirmation](#)

Further information

Siemens has decided to exit the Russian market (see here).
<https://press.siemens.com/global/en/pressrelease/siemens-wind-down-russian-business>

Siemens is working on the renewal of the current EAC certificates.
Please contact your local Siemens office on the status of validity of the EAC certification if you intend to import or offer to supply these products to an EAC relevant market (other than the sanctioned EAEU member states Russia or Belarus).

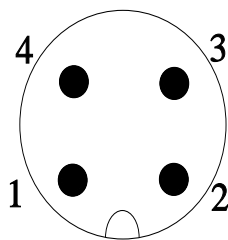
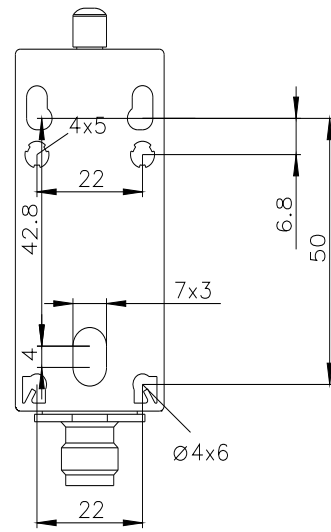
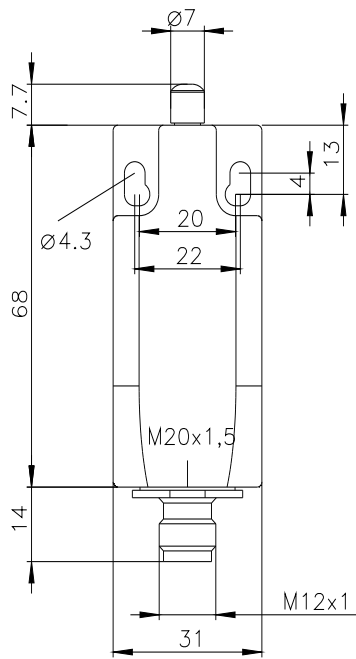
Information on the packaging
<https://support.industry.siemens.com/cs/ww/en/view/109813875>
Information- and Downloadcenter (Catalogs, Brochures,...)
<https://www.siemens.com/ic10>

Industry Mall (Online ordering system)
<https://mall.industry.siemens.com/mall/en/en/Catalog/product?mlfb=3SE5234-0HC05-1AC4>

Cax online generator
<http://support.automation.siemens.com/WW/CAXorder/default.aspx?lang=en&mlfb=3SE5234-0HC05-1AC4>

Service&Support (Manuals, Certificates, Characteristics, FAQs,...)
<https://support.industry.siemens.com/cs/ww/en/ps/3SE5234-0HC05-1AC4>

Image database (product images, 2D dimension drawings, 3D models, device circuit diagrams, EPLAN macros, ...)
http://www.automation.siemens.com/bilddb/cax_de.aspx?mlfb=3SE5234-0HC05-1AC4&lang=en



| | | | |
|---|------------|---|----|
| 1 | BN = Brown | → | 21 |
| 2 | WH = White | → | 22 |
| 3 | BU = Blue | → | 13 |
| 4 | BK = Black | → | 14 |

