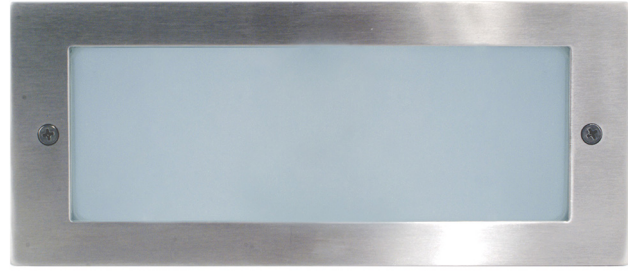


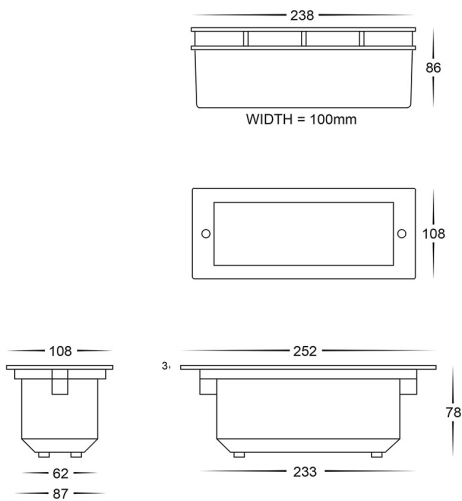
316 Stainless Steel Brick Lights

PRODUCT SPECIFICATIONS

Name: Bata
Material: 316 Stainless Steel
Colour: Stainless Steel
IP Rating: IP54
Lamp Base: Built in LED
CRI: ≥80
Cable Length: 200mm
Wiring: Parallel
Dimmable: Yes (Triac)
Warranty: 2 Years Replacement**



DIMENSIONS



COLOUR TEMPERATURE

Tri-Colour By Havit

3000K

4000K

5500K

IP RATING



APPROVALS



Product Ordering

IMAGE	PART NUMBER	COLOURTEMP	LUMENS	INPUT	BEAM ANGLE	INCLUDED LED
	HV3003T-SS316	3000K	800lm	240v AC	120°	Tri-Colour 10w Built in LED
		4000K	850lm			
	HV3003T-SS316-12V	5500K	900lm	12v DC	120°	Tri-Colour 10w Built in LED
		3000K	800lm			
		4000K	850lm			
		5500K	900lm			

12v DC models must be used with suitable 12v DC LED Driver

* Lumen output measured at source

** See Warranty Terms and Conditions for more information

For more information contact Havit Lighting

ADDRESS:
 143 Beauchamp Road
 Matraville NSW 2036
 Australia

Tel: 02 9381 8300
 Fax: 02 9666 8881
 Email: sales@hav.it.com.au
 web: www.havit.com.au