

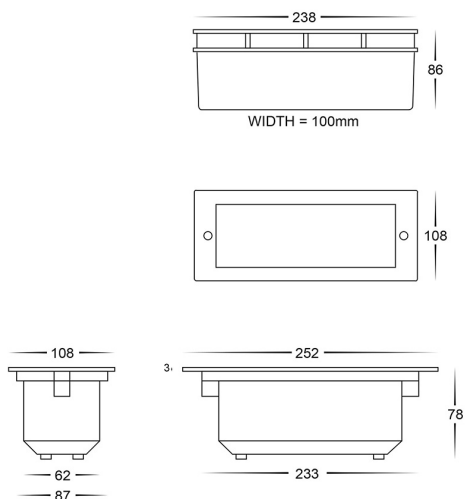
# 316 Stainless Steel Black Brick Lights

## PRODUCT SPECIFICATIONS

**Name:** Bata  
**Material:** 316 Stainless Steel + Aluminium  
**Colour:** Poly powder coated black face  
**IP Rating:** IP54  
**Lamp Base:** Built in LED  
**CRI:** ≥80  
**Cable Length:** 200mm  
**Wiring:** Parallel  
**Dimmable:** Yes (Triac)  
**Warranty:** 2 Years Replacement\*\*



## DIMENSIONS



## COLOUR TEMPERATURE

Tri-Colour By Havit  
**3000K**  
**4000K**  
**5500K**

## IP RATING



## APPROVALS



## Product Ordering

IMAGE	PART NUMBER	COLOURTEMP	LUMENS	INPUT	BEAM ANGLE	INCLUDED LED
	<b>HV3003T-BLK</b>	3000K 4000K 5500K	800lm 850lm 900lm	240v AC	120°	<b>Tri-Colour</b> 10w Built in LED
	<b>HV3003T-BLK-12V</b>	3000K 4000K 5500K	800lm 850lm 900lm	12v DC	120°	<b>Tri-Colour</b> 10w Built in LED

12v DC models must be used with suitable 12v DC LED Driver

\* Lumen output measured at source

\*\* See Warranty Terms and Conditions for more information

For more information contact Havit Lighting

ADDRESS:  
 143 Beauchamp Road  
 Matraville NSW 2036  
 Australia

Tel: 02 9381 8300  
 Fax: 02 9666 8881  
 Email: sales@havit.com.au  
 web: www.havit.com.au