

**Performance Range
Sweep Fan**



P3HS1200ALR, P4HS1200ALR
Installation Instructions

by Schneider Electric

For your safety

⚠️ DANGER

HAZARD OF ELECTRIC SHOCK, EXPLOSION OR ARC FLASH

- This product must only be installed by appropriately qualified and/or licensed electrical personnel.
- Isolate the electrical supply before doing any work on this product.
- Ensure that the product has been correctly installed and tested for safe operation before reconnecting the electrical supply.

Failure to follow these instructions will result in death or serious injury.

⚠️ CAUTION

IMPORTANT INSTALLATION SAFEGAURDS

- Means for disconnections must be incorporated in the fixed wiring in accordance with the wiring rules.
- The mounting bracket must be fixed to a solid structure, such as ceiling joist with sufficient strength to withstand 4 times the weight of the fan, 30 kg recommended (Figure 1).
- The fan should be mounted so that the blades are at least 2.1 m above the floor, and 300 mm from the tip of the blade to the nearest object or walls (Figure 2).
- Hangsure mounting is suitable for pitched ceilings with a maximum angle of 18.5° (Figure 3).
- The use of attachments not recommended or sold by appliance manufacturer may cause a risk of injury to person.
- The appliance is only intended for the purpose described in the user manual. Do not use the appliance or any part of the appliance out of the intended use to avoid risk.
- Replacement of parts of the safety suspension system device shall be performed by the manufacturer, its service agent or suitably qualified persons.

Failure to follow these instructions can result in injury, equipment damage or unnecessary vibration and noise.

⚠️ CAUTION

IMPORTANT CLEANING SAFEGAURDS

- Isolate the electrical supply before doing any cleaning of this product.
- Periodic cleaning of ceiling fan is required. It is recommended to clean every 6 months. Harsher environment may require more regular cleaning.
- Use a soft brush or lint free cloth to avoid scratching the paint finish.
- Do not use water when cleaning your ceiling fan as it could damage the motor or blades and possibility of an electric shock.
- The motor has a permanently lubricated ball bearing so there is no need of oil.

Failure to follow these instructions can result in injury or equipment damage.

⚠️ CAUTION

INSTALLATION HAZARD

- To ensure proper balance, do not mix up blades with those from another fan as they are a matched set.
- Transport and transit handling may loosen factory fitted cables, please check and secure terminal screws before installation.
- Do not place motor on a flat surface. The plastic nipple underneath the motor cannot support the weight of the motor and may be easily damaged (Figure 4).
- When working on the fan, place motor on the foam packaging with the nipple located in one of the recesses. This protects the nipple and the finish (Figure 5).

Failure to follow these instructions can result in injury or equipment damage.

1. Technical data

Ceiling Sweep Fan - Max weight 5.5 kg

230-240 V AC, 50 Hz, 60W	230-240 V AC, 50 Hz, 66W
P3HS1200ALR	P4HS1200ALR

Figure 1

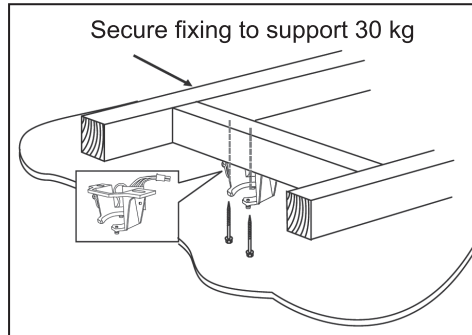


Figure 2

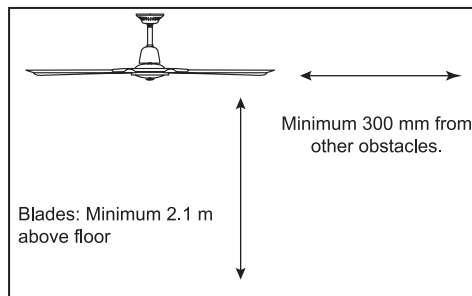


Figure 3

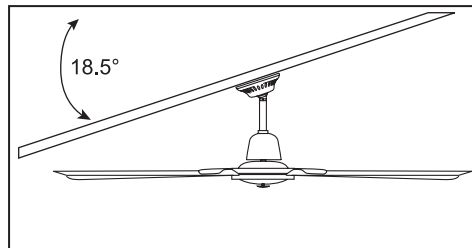


Figure 4

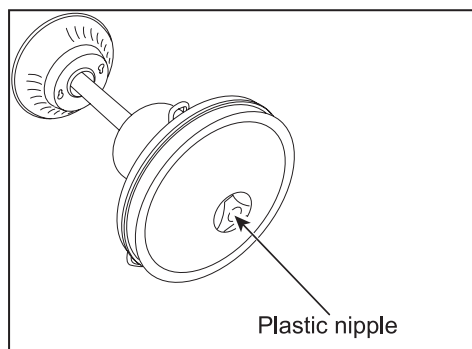
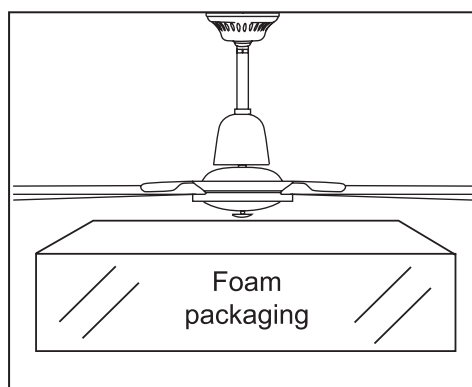


Figure 5

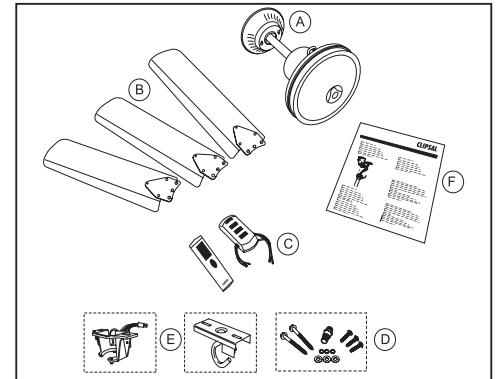


2. Pre-install Check

Prior to installation, carefully identify the parts (Figure 6.)

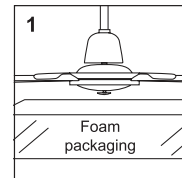
- (A) Motor Assembly
- (B) Blades (3 or 4 depending on model)
- (C) RF Remote Controller
- (D) Screw Pack
- (E) Mounting Bracket
- (F) Instruction Sheet

Figure 6

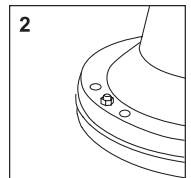


3. Fitting the Blades

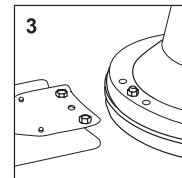
- ① Place the motor over a foam packaging.
- ② Place the blade over the motor and align the screws.
- ③ Secure the blade with screws.



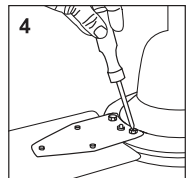
Place the motor



Motor screw holes



Attach blades with screws



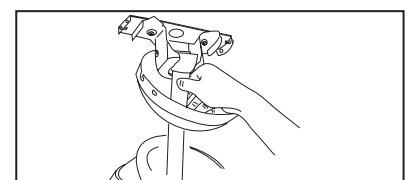
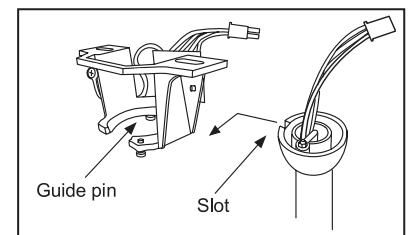
Tighten screws

NOTE:

Connecting a Light Fitting: For information on how to connect a light fitting to the Ceiling Sweep Fan, refer to the instruction in the light fitting accessory (Oyster Light and Clipper Light).

4. Hanging the Fan

Lift the fan up and place ball onto the bracket. Make sure the guide pin is fitted into the slot of the ball joint.



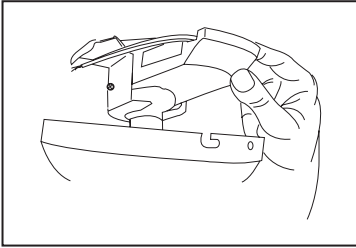
5. Connecting the Fan

All Airflow Ceiling Sweep Fans are pre-wired to allow for a light to be fitted onto the fan.

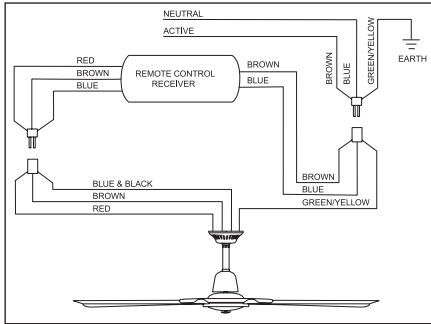
If you are not fitting a light to the fan, disregard the light wires. The wires are connected to the incoming wiring as illustrated in the following diagram.

Pole disconnection must be incorporated in the fixed wiring in accordance with the wiring rules.

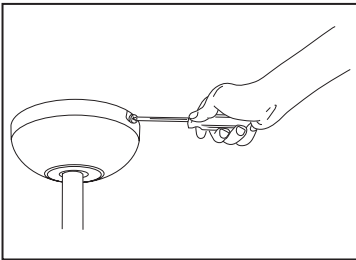
1. Install the receiver to the bracket as shown below.



2. Connect the wires according to the remote control wiring diagram as shown below.



3. Manoeuvre the canopy into place over the mounting bracket. Ensure that the infrared sensor is in the shade and not in direct sunlight. Slide up top canopy but allow 5-10 mm clearance. Secure with locking screws.



CAUTION

EQUIPMENT OPERATION HAZARD

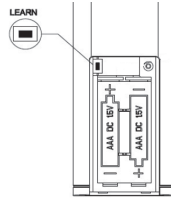
- If unusual oscillating movement is observed, immediately stop using the ceiling fan and contact the manufacturer, its service agent or suitably qualified persons.
- This appliance is not intended for use by persons (including children) with reduced physical, sensory or mental capabilities or lack of experience and knowledge, unless they have been given supervision or instruction concerning use of the appliance by a person responsible for their safety.
- Children should be supervised so that they do not play with the appliance.

Failure to follow these instructions can result in injury or equipment damage.

6. Pairing the Remote Control to the Fan

There are four possible pairing scenarios. Read the applicable pairing scenario for your application before restoring power to the fan, **as you will have only 30 seconds** to begin the pairing process once power has been restored to the fan.

To setup the remote prior to the connection, open the battery cover and install the 2x DC1, 5 V AAA batteries.



Pair one remote to one fan.

Restore power to the fan and use a suitable instrument to press and hold the LEARN button on the remote for one to three seconds. Three tic-tac sound will be heard from the fan, indicating that pairing process is finished.

Pair multiple fans each to its own remote

- Ensure that power is off and none of the fans are wired to the circuit.
- Wire Fan 1 to the circuit, then re-energise the circuit.
- Within 30 seconds of re-energising the fan, use a suitable instrument to press and hold the LEARN button on the remote for one to three seconds. Three tic-tac sound will be heard from Fan 1.
- Turn off the power and disconnect Fan 1 from the circuit. While the power is off, connect Fan 2 to the circuit.
- Re-energise the circuit and repeat the pairing process for Fan 2 with its individual remote.
- Follow this process for all remaining fans.

Pair multiple fans to a single remote

- Ensure all required fans are wired to the circuit, then turn the power on.
- Use a suitable instrument to press and hold the LEARN button on the remote for one to three seconds. Three tic-tac sound will be heard from each fan, indicating that pairing process is finished.

NOTE: As all fans were powered on and were accepting the pairing process within 30 seconds, all fans will now be connected to the single remote.

Pair multiple remotes to a single fan

One fan can pair up to maximum of three remotes, each of which need to be paired within 30 seconds. Only the last three paired remotes can control the fan.

- Restore power to the fan and use a suitable instrument to press and hold the LEARN button on the remote for one to three seconds. Three tic-tac sound will be heard from the fan, indicating that pairing process is finished.
- Before 30 seconds, repeat the pairing process for the remaining remotes.

NOTE:

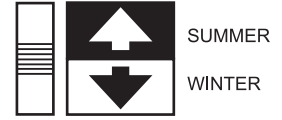
- Press the LEARN button for more than 5 seconds within 30 seconds to eliminate all learning codes of the fan except the existing one.
- Once the pairing process has been completed, you do not need to repeat the pairing process while replacing batteries.
- If the pairing process is not completed within 30 seconds, you need to turn off the power and begin again.

7. Using the Remote Control



8. Summer/Winter Settings

The summer/winter switch is located on the bottom canopy.



Check the switch and make sure that it is in the correct setting, depending on cold weather or hot weather.

- Cold weather: Push switch down for the blades to circulate the warm air trapped near the ceiling.
- Hot weather: Push switch up for the blades to create a breeze and circulate the air.

NOTE: The summer/winter switch must be fully engaged for the fan to operate.

9. Troubleshooting

If the fan does not switch on:

Turn off the power supply. Then check the following:

- Summer/winter switch on fan motor not fully engaged in desired setting.
- Connections are as per installation diagram. To be checked by appropriately qualified and/or licensed electrical personnel.
- Fuse blown, circuit breaker tripped or there is a power failure.
- Check pairing process to ensure the receiver matches the controller.

If the fan does not operate at varying speed control settings:

Verify the remote receiver connections, pairing and batteries. To be checked by appropriately qualified and/or licensed electrical personnel.

If you hear a ticking, rattling or mechanical noise:

- Ensure all screws and bolts are tight.
- Ensure the mounting assembly is secure.
- Ensure the lower canopy is clear of the motor.
- Ensure the wires are not tapping against the canopy.

Warranty and Contact Information

Warranty information (Australia)

We warrant this product for 3 years—for details visit:

www.schneider-electric.com.au/en/about-us/legal/terms-and-conditions.jsp



Schneider Electric (Australia) Pty Ltd

33-37 Port Wakefield Road, Gepps Cross SA 5094

Customer Care: 13 73 28

Email: customercare.au@se.com

www.schneider-electric.com.au

Schneider Electric reserves the right to change specifications, modify designs and discontinue items without incurring obligation and whilst every effort is made to ensure that descriptions, specifications and other information in these instructions are correct, no warranty is given in respect thereof and the company shall not be liable for any error therein.

© Schneider Electric 2019

This material is copyright under Australian and international laws. Except as permitted under the relevant law, no part of this work may be reproduced by any process without prior written permission of and acknowledgment to Schneider Electric.