



PRODUCT DATA

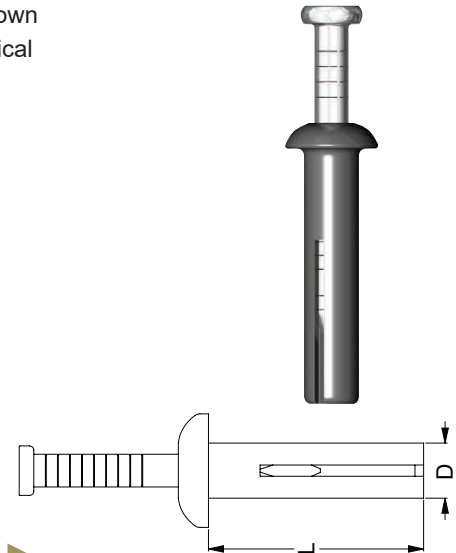
Nail In Anchor – Mushroom Head

An all metal wedge style anchor that sets by hammer impact, thus sliding the pin down the stem creating an expansive force against the wall of the hole. Ideal for mechanical trades using suspending strap, various hanger systems, and through fixings.

Anchor Component	Material/Plating
Drive Nail	AISI 1018 – Zinc Plated
Anchor Body	Zinc Alloy

Part	QFIND	Diameter	Length	Pack
		Ø (mm)	L (mm)	
MNPZM050022	MNP100	5.0	22	100
MNPZM0650025	MNP101	6.5	25	100
MNPZM0650032	MNP102	6.5	32	100
MNPZM0650038	MNP103	6.5	38	100
MNPZM0650050	MNP104	6.5	50	100

Applications	Trades
<ul style="list-style-type: none"> • Signage • Pipe and Conduit Saddles • Tamper Proof Fixings • Switch Boxes 	<ul style="list-style-type: none"> • Electrical • Plumbing • Bricklayers • Builders



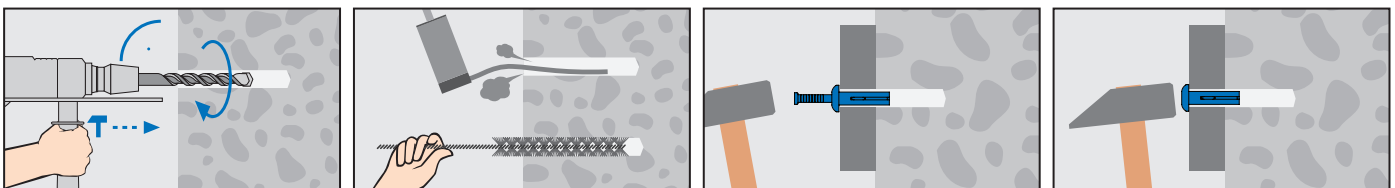
Quick & easy installation

Once installed the anchor becomes tamper resistant

Part	Length	Nominal Hole Diameter	Fixture Hole Diameter	Min Embedment Depth	Max Fixture Thickness	Concrete Strength 32MPa	
						Working Load in Tension ¹	Working Load in Shear ¹
						L (mm)	D (mm)
MNPZM050022	22	5	6	19	3	0.8	0.9
MNPZM0650025	25	6.5	7.5	20	5	0.9	1.2
MNPZM0650032	32	6.5	7.5	25	7	1.0	1.2
MNPZM0650038	38	6.5	7.5	25	13	1.0	1.2
MNPZM0650050	50	6.5	7.5	25	25	1.2	1.2

¹Working load is the governing minimum allowable load obtained by comparing relevant concrete and steel working loads. Factor of Safety (FOS = 2.5 for steel and FOS = 3.0 for concrete) are already included.

Installation



Disclaimer: While every reasonable effort has been made to ensure that this document is correct at the time of printing, Hobson Engineering, its agencies and employees, disclaim any and all liability to any person in respect of anything or the consequences of anything done or omitted to be done in reliance upon the whole or any part of this document.

Bolt Tension | Anti-Vibration | Product Reliability | Traceability

hobson.com.au **QUALITY FASTENERS SINCE 1935**