

ARGO WEATHERPROOF BATTENS



Switchable Colour and Dual Output Weatherproof Batten Range

The ARGO is the perfect all-rounder when it comes to projects requiring a reliable, weatherproof batten. With IP65 and IK08 impact ratings combined with switchable colour and output, the ARGO provides greater flexibility on each project.

The emergency version contains market-leading Lithium Iron Phosphate battery technology and testing options are available with the LP range. Packed with features at the right price and backed by Clevertronics reliability. You won't be let down by the ARGO.

Applications

- | | |
|------------------------------------------------------------------------------------------------|---------------------------------------------------------------------------------------------------|
|  Car Parks |  Corridors |
|  Stairwells |  Back of House |
|  Fire Stairs | |



Features and Benefits

- AS/NZS 2293.3 compliant
- IP65 rated
- Long life, energy efficient LED strip module
- Switchable Colour (3000K / 4000K / 5700K)
- Switchable Output (varies by model)
- Lithium (LiFePO4) Battery Technology
- Quick connect surface mount brackets and on-carton mounting template
- Large terminal block for easy installation
- IPART/VEU approval



ARGO WEATHERPROOF 600MM BATTEN

SWITCHABLE COLOUR

ARGO WEATHERPROOF 600MM BATTEN

SWITCHABLE COLOUR

ORDERING INFORMATION	EMERGENCY (EL)	EMERGENCY (LP)	STANDARD
Nominal Size	600mm	600mm	600mm
Standard	ARGO-600-EM	ARGO-600-LP	ARGO-600
DALI Driver	No		
Motion Sensors	ARGO-600-EM-SEN	ARGO-600-SEN-LP	ARGO-600-SEN
CTP system compatible	No	Yes	-
DALI*	-	ARGO-600-LP-DALI	-
Zoneworks XT Hive*	-	ARGO-600-LP-HV	-
Carton Quantity	1		
Weight - single (carton)	1.5kg	1.5kg	1.25kg
Dimensions (L X W X H)	655mm x 121mm x 88mm		

* For motion sensor version add -SEN to the product code as per following example: ARGO-600-SEN-LP-DALI

TECHNICAL SPECIFICATIONS	EMERGENCY (EL)	EMERGENCY (LP)	STANDARD
Construction - Base	UV Stabilised Polycarbonate		
Construction - Diffuser	UV Stabilised Polycarbonate		
Voltage (V) (Frequency (Hz))	220-240V(50Hz)		
Power Consumption (Standby / Max) ♦	(See table on next page)		
Lamp ♦	Dual LED Strip Module		
Lamp(s) (CCT / Life)	3000K, 4000K, 5700K / 50,000hrs (L70 / B50, Ra>80 Ta40c)		
Nominal Total Light Output ♦	(See table on next page)		
Ingress Protection Rating (IP)	IP65		
Impact Rating (IK)	IK08		

♦ Please refer to the specific product data sheet for actual power, light output, lamp lifetime and driver values.

EMERGENCY SPECIFICATIONS	EMERGENCY (EL)	EMERGENCY (LP)
Operating Mode	Sustained	
Battery configuration	Integral	
Battery type	Lithium Iron Phosphate	
Voltage / mAh	3.2V / 3000mAh	
Charging Method	Intelligent Current Limited Constant Voltage	

CLASSIFICATIONS	EMERGENCY (EL)	EMERGENCY (LP)
C0	D40	D40
C90	D25	D25

SPARE PARTS	EMERGENCY (EL)	EMERGENCY (LP)
Battery	1560150	1550050
LED Strip	8002848	8002848

SPACING TABLE & MOUNTING HEIGHTS - AS / NZS 2293.1:2018 (MINIMUM LIGHT LEVEL OF 0.2 LUX)													
Classification	2.1m	2.4m	2.7m	3.0m	3.3m	3.6m	4.0m	4.5m	5.0m	6.0m	7.0m	8.0m	
D25	11.5	13.2	14.8	15.7	16.1	16.4	16.8	17.3	17.6	18.1	18.3	18.2	
D40	11.5	13.2	14.8	16.5	18.1	19.5	20.1	20.7	21.2	22.1	22.6	23.0	

For 1 lux and AS/NZS 2293.1:2005 spacing tables please visit: <https://clevertronics.com.au/spacing-tables/>

*Warranty information located at: <https://clevertronics.com.au/warranty-statement/>

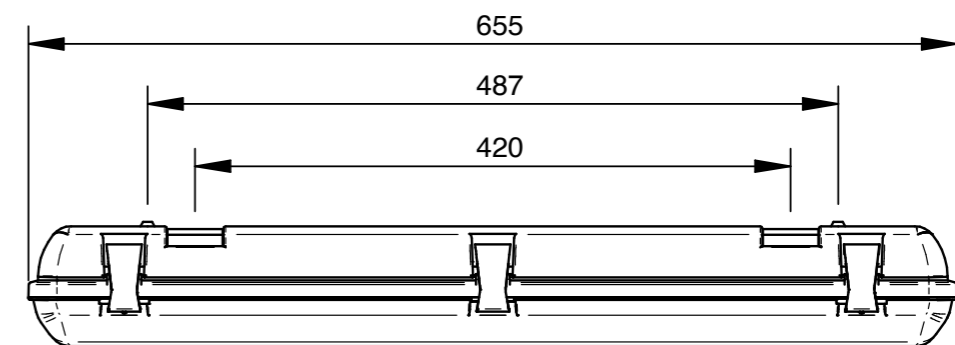
All product data is current as at the version date of the document. We reserve the right to change product design, specifications or materials (Specifications) as part of our continuous improvement program. Please confirm the applicable Specifications at the time of placing your order.

NO SENSOR

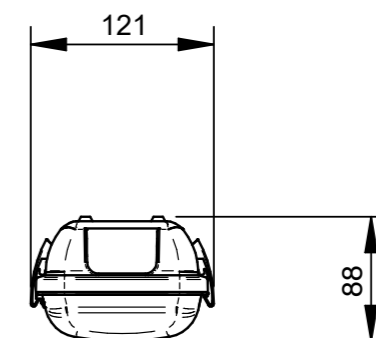
POWER CONSUMPTION	Standby Charge/ Main Lamp On		Standby Charge/ Main Lamp Off		Main Lamp On	LUMEN OUTPUT		
	EL	LP	EL	LP	STANDARD	EL	LP	STANDARD
3000K	19W	19W	0.4W	0.4W	19W	1950lm	1950lm	1950lm
4000K	18W	18W	0.4W	0.4W	18W	2150lm	2150lm	2150lm
5700K	19W	19W	0.4W	0.4W	19W	2040lm	2040lm	2040lm

SENSOR

POWER CONSUMPTION	Standby Charge/ Main Lamp On		Standby Charge/Main Lamp On @ Min. 10%		Standby Charge/ Main Lamp Off		Main Lamp On	Main Lamp On @ Min. 10%	LUMEN OUTPUT		
	EL	LP	EL	LP	EL	LP	STANDARD	STANDARD	EL	LP	STANDARD
3000K	20W	20W	2W	2W	0.4W	0.4W	19W	2W	1950lm	1950lm	1950lm
4000K	19W	19W	2W	2W	0.4W	0.4W	19W	2W	2150lm	2150lm	2150lm
5700K	20W	20W	2W	2W	0.4W	0.4W	19W	2W	2040lm	2040lm	2040lm



Dimension in (mm)



All product data is current as at the version date of the document. We reserve the right to change product design, specifications or materials (Specifications) as part of our continuous improvement program. Please confirm the applicable Specifications at the time of placing your order.

ARGO WEATHERPROOF 1200MM BATTEN

SWITCHABLE COLOUR & OUTPUT

ORDERING INFORMATION	EMERGENCY (EL)	EMERGENCY (LP)	STANDARD
Nominal Size	1200mm	1200mm	1200mm
Standard	ARGO-1200-EM	ARGO-1200-LP	ARGO-1200
DALI Driver	No		
Motion Sensors	ARGO-1200-EM-SEN	ARGO-1200-SEN-LP	ARGO-1200-SEN
CTP system compatible	No	Yes	-
DALI*	-	ARGO-1200-LP-DALI	-
Zoneworks XT Hive*	-	ARGO-1200-LP-HV	-
Carton Quantity	1		
Weight - single (carton)	2.6kg	2.6kg	2.3kg
Dimensions (L X W X H)	1265mm x 121mm x 88mm		

* For motion sensor version add -SEN to the product code as per following example: ARGO-1200-SEN-LP-DALI

TECHNICAL SPECIFICATIONS	EMERGENCY (EL)	EMERGENCY (LP)	STANDARD
Construction - Base	UV Stabilised Polycarbonate		
Construction - Diffuser	UV Stabilised Polycarbonate		
Voltage (V) (Frequency (Hz))	220-240V(50Hz)		
Power Consumption (Standby / Max) ♦	(See table on next page)		
Lamp ♦	Dual LED Strip Module		
Lamp(s) (CCT / Life)	3000K, 4000K, 5700K / 50,000hrs (L70 / B50, Ra>80 Ta40c)		
Nominal Total Light Output ♦	(See table on next page)		
Ingress Protection Rating (IP)	IP65		
Impact Rating (IK)	IK08		
Energy Approvals	IPART/VEU		

♦ Please refer to the specific product data sheet for actual power, light output, lamp lifetime and driver values.

EMERGENCY SPECIFICATIONS	EMERGENCY (EL)	EMERGENCY (LP)
Operating Mode	Sustained	
Battery configuration	Integral	
Battery type	Lithium Iron Phosphate	
Voltage / mAh	3.2V / 3000mAh	
Charging Method	Intelligent Current Limited Constant Voltage	

CLASSIFICATIONS	EMERGENCY (EL)	EMERGENCY (LP)
C0	D40	D63
C90	D25	D40

SPARE PARTS	EMERGENCY (EL)	EMERGENCY (LP)
Battery	1560150	1550230
LED Strip	8002849	8002849

SPACING TABLE & MOUNTING HEIGHTS - AS / NZS 2293.1:2018 (MINIMUM LIGHT LEVEL OF 0.2 LUX)													
Classification	2.1m	2.4m	2.7m	3.0m	3.3m	3.6m	4.0m	4.5m	5.0m	6.0m	7.0m	8.0m	
D25	11.5	13.2	14.8	15.7	16.1	16.4	16.8	17.3	17.6	18.1	18.3	18.2	
D40	11.5	13.2	14.8	16.5	18.1	19.5	20.1	20.7	21.2	22.1	22.6	23.0	
D63	11.5	13.2	14.8	16.5	18.1	19.8	22.0	24.5	25.2	26.4	27.3	28.0	

For 1 lux and AS/NZS 2293.1:2005 spacing tables please visit: <https://clevertronics.com.au/spacing-tables/>

*Warranty information located at: <https://clevertronics.com.au/warranty-statement/>

All product data is current as at the version date of the document. We reserve the right to change product design, specifications or materials (Specifications) as part of our continuous improvement program. Please confirm the applicable Specifications at the time of placing your order.

ARGO WEATHERPROOF 1200MM BATTEN

SWITCHABLE COLOUR & OUTPUT

NO SENSOR

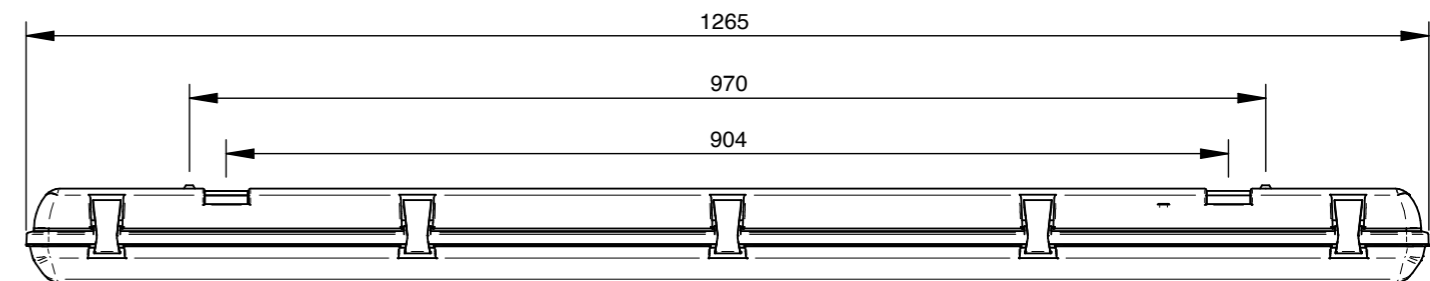
POWER CONSUMPTION	Standby Charge/ Main Lamp On		Standby Charge/ Main Lamp Off		Main Lamp On
	EL	LP	EL	LP	STANDARD
HIGH OUTPUT					
3000K	38W	38W	0.4W	0.4W	38W
4000K	36W	36W	0.4W	0.4W	35W
5700K	38W	38W	0.4W	0.4W	38W
LOW OUTPUT					
3000K	20W	20W	0.4W	0.4W	20W
4000K	19W	19W	0.4W	0.4W	19W
5700K	20W	20W	0.4W	0.4W	20W

LUMEN OUTPUT		
EL	LP	STANDARD
3820lm	3820lm	3820lm
4320lm	4320lm	4320lm
4100lm	4100lm	4100lm
2260lm	2260lm	2260lm
2430lm	2430lm	2430lm
2400lm	2400lm	2400lm

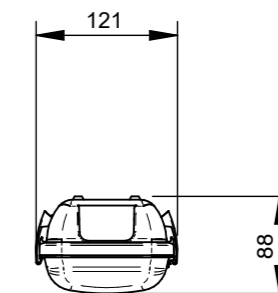
SENSOR

POWER CONSUMPTION	Standby Charge/ Main Lamp On		Standby Charge/Main Lamp On @ Min. 10%		Standby Charge/ Main Lamp Off		Main Lamp On	Main Lamp On @ Min. 10%
	EL	LP	EL	LP	EL	LP	STANDARD	STANDARD
3000K	37W	39W	6W	3W	0.4W	0.4W	37W	6W
4000K	36W	37W	6W	3W	0.4W	0.4W	35W	6W
5700K	37W	39W	6W	3W	0.4W	0.4W	37W	6W

LUMEN OUTPUT		
EL	LP	STANDARD
3670lm	3820lm	3670lm
4200lm	4320lm	4200lm
3970lm	4100lm	3970lm



Dimension in (mm)



All product data is current as at the version date of the document. We reserve the right to change product design, specifications or materials (Specifications) as part of our continuous improvement program. Please confirm the applicable Specifications at the time of placing your order.

Victoria

1 Caribbean Drive
Scoresby VIC 3179
Phone: +61 3 9559 2700
Fax: +61 3 9559 2799
Email: statemgrvic@clevertronics.com.au

New South Wales

9 Distribution Place
Seven Hills NSW 2147
Phone: +61 2 8805 6400
Fax: +61 2 8805 6444
Email: statemgrnsw@clevertronics.com.au

Queensland

2/8-12 Monte-Khoury Drive
Loganholme QLD 4129
Phone: +61 7 3442 9700
Fax: +61 7 3442 9777
Email: statemgrqld@clevertronics.com.au

Western Australia

12 Milly Court
Malaga WA 6090
Phone: +61 8 9207 0000
Fax: +61 8 9248 3725
Email: statemgrwa@clevertronics.com.au

South Australia

U2/19 Main Terrace
Richmond SA 5033
Phone: +61 8 8301 8800
Fax: +61 8 8351 8286
Email: statemgrsa@clevertronics.com.au

Auckland

Unit 22/761 Great South Road
Penrose Auckland 1061
Phone: +64 800 548 448
Email: info@clevertronics.co.nz

Christchurch

163C Wordsworth Street
Sydenham Christchurch 8023
Phone: +64 800 548 448
Email: info@clevertronics.co.nz



clevertronics.com.au