

# BYH/BYT

## Series DC Isolator Switches

Welcome to our website for more information:  
[www.zjbeny.com](http://www.zjbeny.com)



# BYH/BYT Series DC Isolator Switches



- Pre-wired DC Main Switch with MC4(Optional)
- IP66 , UV Resistance, Flame-Retardant Enclosure
- Arcing Time < 3ms
- "OFF" Position Lockable
- Earth Terminal
- IEC/EN60947-3
- 2 Pole, 4 Poles Available(Single | Double String)
- DC-21B: 16A,25A,32A

- Pre-wired DC Main Switch with MC4(Optional)
- IP66 , UV Resistance, Flame-Retardant Enclosure
- Arcing Time < 3ms
- "OFF" Position Lockable
- Earth Terminal
- IEC/EN60947-3
- 2 Pole, 4 Poles Available(Single | Double String)
- DC-21B: 16A,25A,32A



## Application

**BENY** BYH/BYT Series DC Isolator Switch in plastic enclosure is applied to 1-20kw residential and commercial PV systems, is installed between solar panels and inverter. Arcing time less than 3ms is the key of the switch and safety. Top material and highest PV test standard ensure high quality isolator switch and long working life.

## BYH-32 DC Isolator Switches 1000V



BYH-32



BYH-32MC4



## BYT-32 DC Isolator Switches 1200V



BYT-32



BYT-32MC4

# BYH/BYT

## PV DC Isolator Switches

### Parameter

Electrical Characteristics		BYH-32	BYT-32
Type		BYH-32	BYT-32
Function		Isolator, Control	
Comply with		IEC60947-3	
Pole		4P	
Max Rated Current		32A	
Rated Working Voltage	Ue	1000V DC	1200V DC
Rated Current	In	32A	
Rated Insulated Voltage	Ui	1000V DC	1200V DC
Rated Impulsed Voltage	Uimp	8KV	
Service Life/Cycle Operation			
Mechanical		20000	
Electrical		2000	
Installation Environment			
Ingress Protection		IP66	
Storage Temperature		-40°C~+85°C	

### Wiring Diagram

Contacts wiring diagram	500V	600V	800V	1000V	1200V	Poles in series	Number of Strings	Type Number	Weight kg/PCS
	16A	16A	16A	9A	7.5A	2	1	PE2	0.70
	25A	25A	20A	11A	9A	2	1	PE2	0.70
	32A	32A	23A	13A	13A	2	1	PE2	0.70
	29A	29A	16A	9A	7.5A	2	1	PE2H	0.70
	45A	45A	20A	11A	9A	2	1	PE2H	0.70
	50A	50A	23A	13A	13A	2	1	PE2H	0.70
	16A	16A	16A	9A	7.5A	2	2	PE4	0.70
	25A	25A	20A	11A	9A	2	2	PE4	0.70
	32A	32A	23A	13A	13A	2	2	PE4	0.70
	16A	16A	16A	16A	16A	4	1	PE4S	0.70
	25A	25A	25A	25A	25A	4	1	PE4S	0.70
	32A	32A	32A	32A	32A	4	1	PE4S	0.70
	16A	16A	16A	16A	16A	4	1	PEB	0.70
	25A	25A	25A	25A	25A	4	1	PEB	0.70
	32A	32A	32A	32A	32A	4	1	PEB	0.70
	16A	16A	16A	16A	16A	4	1	PE4T	0.70
	25A	25A	25A	25A	25A	4	1	PE4T	0.70
	32A	32A	32A	32A	32A	4	1	PE4T	0.70

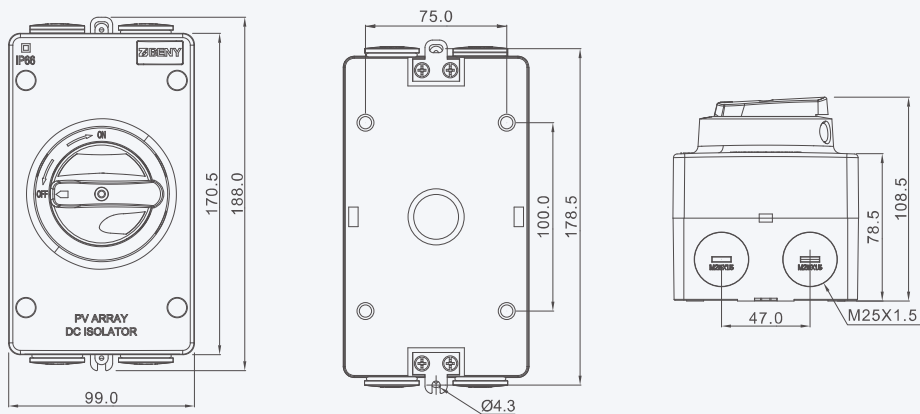
\*Note: Recommend for MC4 Type

## Switching Configurations

Type	2-pole	2-pole 4 Paralleled Poles	4-pole	4-pole with Input on top Output bottom	4-pole with Input and Output bottom	4-pole with Input and Output on top
BYH-16/BYT-16	2	2H	4	4S	4B	4T
BYH-25/BYT-25	2	2H	4	4S	4B	4T
BYH-32/BYT-32	2	2H	4	4S	4B	4T
Contacts Wiring graph						
Switching example						

## Dimensions(mm)

BYH-32/BYT-32



BYH-32MC4 / BYT-32MC4

