

COMMERCIAL

ROBUS®

BARON 20W and 40W LED Batten, IP20, 0.6m and 1.2m, CCT selectable 3000K, 4500K, 6500K

This new linear LED batten with its slim attractive design provides great aesthetics for any installation. Whilst simple to install and with efficacies of up to 122 luminaire lumens per circuit watt makes energy savings compared to the traditional fluorescent fittings to reduce CO₂ emissions and the buildings carbon footprint.

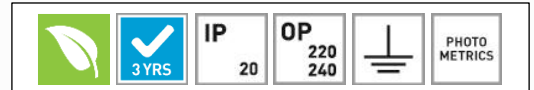


Applications:

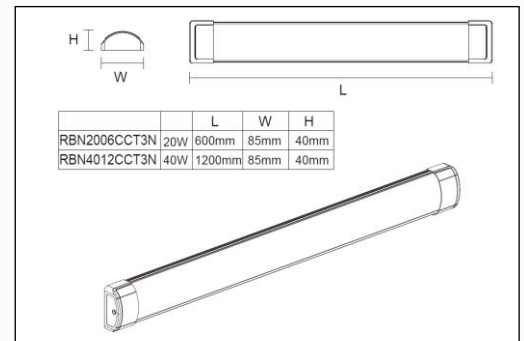
- Classrooms
- Retail Showrooms
- Car Garages, shed or workshops
- Reception Areas

Construction:

White powder coated pressed steel base
White polycarbonate end caps
Opaque diffuser



Product Code:	RBN2006CCT3N-01	RBN4012CCT3N-01
Comparable to:	2x18W T8	2x36W T8
Total Power (W):	19.2/18.4/19.1	39.2/37.2/39.2
Total Light Output (lm):	2,010/2,240/2,160	3,340/3,960/3,580
Efficacy (lm / cctW):	105/122/113	85/106/91
Illuminance at 1m (lux):	610/680/650	960/1,130/1,020
Beam Angle (deg):	120	120
CCT (K):	3,000/4,500/6,500	3,000/4,500/6,500
CRI (Ra):	80	80
Rated Life (hrs):	50,000	50,000
Warranty (yrs):	3	3
Ingress Protection (IP):	20	20
Impact Rating (IK):	08	08
Operating Temperature (°C):	-20 ≤ Ta ≤ +40	-20 ≤ Ta ≤ +40
Operating Voltage (Vac):	220-240	220-240
Power Factor (PF):	0.9	0.9
Height (mm):	40	40
Length (mm):	600	1,200
Width (mm):	85	85
Weight (kg):	0.5	0.9



Standards & Approvals:

Complies with: SAA, AS/NZS 60598, IEC 55015, CISPR 15, IEC 61000, IEC 62493, IEC 61547, IEC 62471, RCM

Cone Illuminance Diagram:

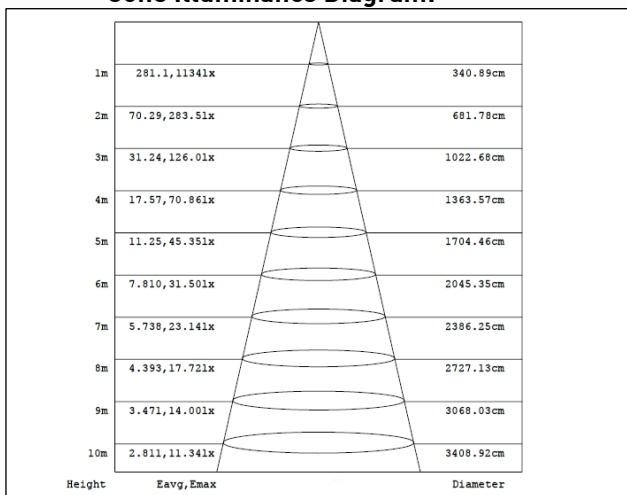


Diagram for RBN4012CCT3N-01 in 4,500K. Other diagrams available on request

Polar Intensity Diagram:

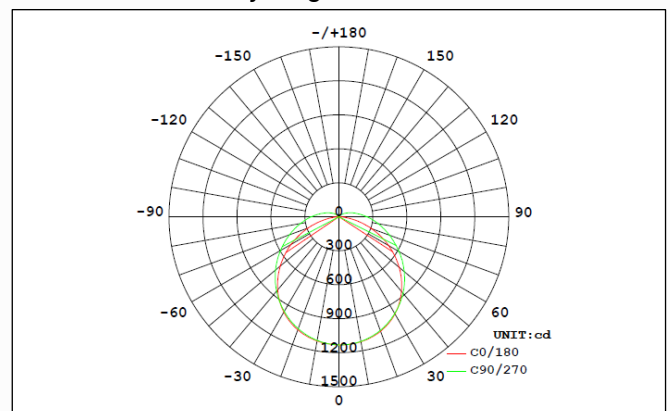


Diagram for RBN4012CCT3N-01 in 4,500K. Other diagrams available on request

PLEASE NOTE: INFORMATION IN THIS DOCUMENT MAY BE SUBJECT TO CHANGE WITHOUT PRIOR NOTICE

IRE: TEL: +353 1 709 9000
AUS: TEL: +61 7 3890 5444

WEB: WWW.ROBUS.COM
WEB: WWW.ROBUS.COM.AU

LED GROUP EUROPE · AUSTRALIA · ASIA · MIDDLE EAST · AFRICA