

**HYSHR**  
**HYSHRW**

\*See current catalogue for further detail

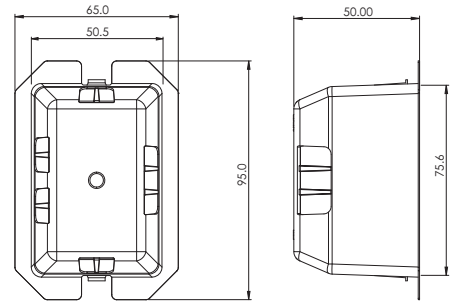
## Hyena Shrouds

The Trader shrouds are universal as possible across the market with as many mounting accessories, switches and sockets. We have also made this shroud from a plastic which is as friendly as possible on your hands when installing and as easy to use as possible when performing any cut outs and cable entry points required.

### HYSHR

Internal dimensions:

- Length 75.6mm
- Width 50.5mm
- Depth 50mm

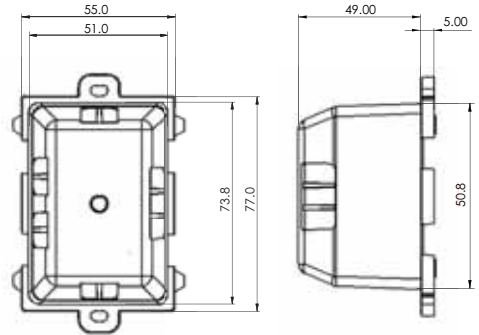


### HYSHRW (Wide)

Ideally suited to fit the Flat Cat Range

Internal dimensions:

- Length 73.8mm
- Width 51mm
- Depth 54mm



Catalogue Number	Description
HYSHR	Insulating Shroud
HYSHRW	Insulating Shroud Wide

