

SNPP1GWW SNPP151GWW

Also available in:
Black cover, Black grid
White cover, Silver grid
Black cover, Silver grid
See order code details
in notes below table

Cleaning Guide:

Spraying cleaning products directly on to electrical switches or power points (sockets) is not recommended.

It is important to ensure that switches are turned off before cleaning.

Do not use any cleaning sprays - only wipe down with damp cloth or rub with dry cloth. Do not use an abrasive cloth as it may scratch the plastic.

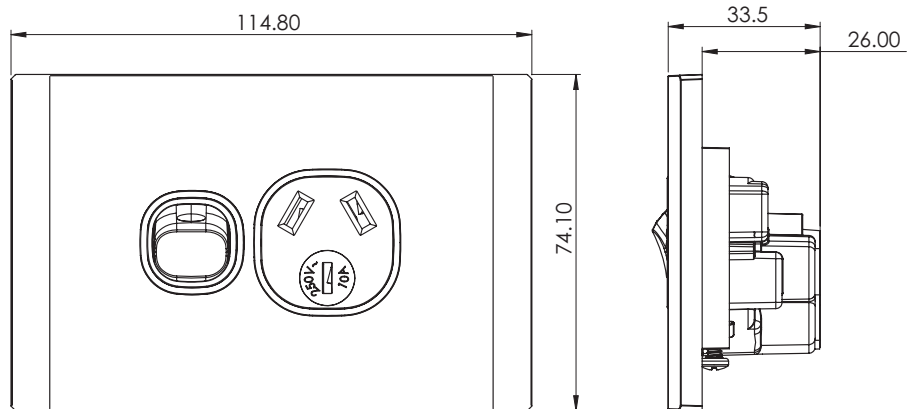
Do not use harsh chemical cleaners as these can break down the plastic and cause it to crack.

Do not wash the cover plates in water over 60°C.



Snow Leopard Range of Single Power Points

- Socket outlets approved to AS/NZS3112
- Fits standard Australian wall boxes and mounting accessories that use 84mm mounting centres
- Uses brass tunnel terminals that have the screws backed out for easier installation of cabling. Power point terminals have 6mm bore to suit 4 x 2.5mm² cable. Switch terminals have 4.1mm suit 4 x 1.5mm²
- Combination head screws for the socket terminals
- Uses 'Cat Flap' screw covers for IP rating mounting screws
- Dolly indicator colour green
- Covers, plates and dollies are made from UV stabilised polycarbonate to avoid discolouring to yellow
- Standard colour is white. Available in Black, White/Silver and Black/Silver - Please check availability.
- Typical example of size seen below:



| Catalogue Number | Description |
|------------------|---|
| SNPP1GWW | Power Point Switched 1 Gang, 10A 250V~, White Cover, White Grid |
| SNPP151GWW | Power Point Switched 1 Gang, 15A 250V~, White Cover, White Grid |

ORDERING NOTES:

When ordering **BLACK/BLACK** product replace "WW" with "BB" at end of catalogue number, ie SNPP2GBB
 When ordering **BLACK/SILVER** product replace "WW" with "BS" at end of catalogue number, ie SNPP2GBS
 When ordering **WHITE/SILVER** product replace "WW" with "WS" at end of catalogue number, ie SNPP2GWS

MEERKAT 

MEERKAT Switch Mechanisms are used for all switch plates.
 Please refer to **MEERKAT Mech Matrix** for full range.

Certification Number:

GMA-103194-EA-008
 and GMA-500347-EA

GSM Electrical (Australia) Pty Ltd

Level 2, 142-144 Fullarton Road, Rose Park SA 5067
 P: 1300 301 838 F: 1300 301 778 E: service@gsme.com.au
www.gsme.com.au



**SNPP2GWW
SNPP152GWW
SNPPSW2GWW**

*Also available in:
Black cover, Black grid
White cover, Silver grid
Black cover, Silver grid
See order code details
in notes below table*

Cleaning Guide:

Spraying cleaning products directly on to electrical switches or power points (sockets) is not recommended.

It is important to ensure that switches are turned off before cleaning.

Do not use any cleaning sprays - only wipe down with damp cloth or rub with dry cloth. Do not use an abrasive cloth as it may scratch the plastic.

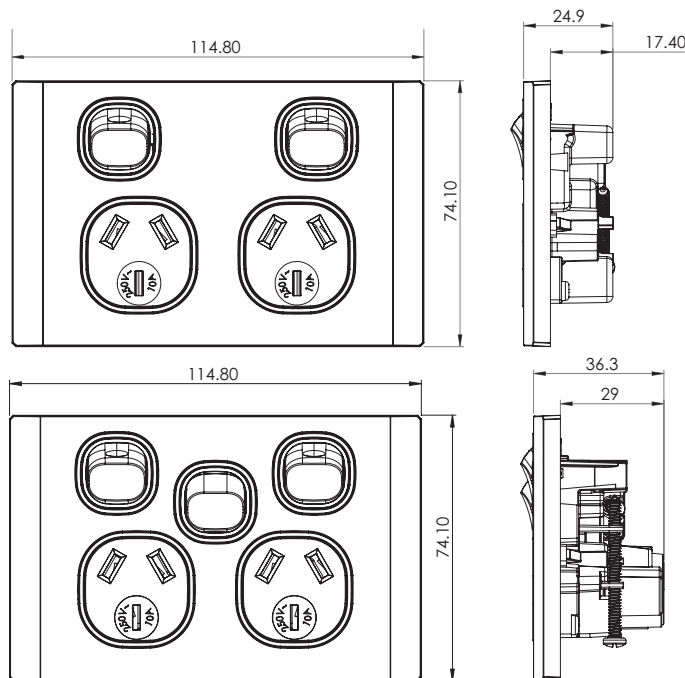
Do not use harsh chemical cleaners as these can break down the plastic and cause it to crack.

Do not wash the cover plates in water over 60°C.



Snow Leopard Range of Double Power Points

- Socket outlets approved to AS/NZS3112.
- Fits standard Australian wall boxes and mounting accessories that use 84mm mounting centres
- Uses brass tunnel terminals that have the screws backed out for easier installation of cabling. Power point terminals have 6mm bore to suit 4 x 2.5mm² cable. Switch terminals have 4.1mm suit 4 x 1.5mm²
- Combination head screws for the socket terminals
- Uses 'Cat Flap' screw covers for IP rating mounting screws
- Dolly indicator colour green
- Covers, plates and dollies are made from UV stabilised polycarbonate to avoid discolouring to yellow
- Standard colour is white. Available in Black, White/Silver and Black/Silver - Please check availability.
- Typical example of size seen below:



| Catalogue Number | Description |
|------------------|--|
| SNPP2GWW | Power Point Switched 2 Gang, 10A 250V~, White Cover, White Grid |
| SNPP152GWW | Power Point Switched 2 Gang, 15A 250V~, White Cover, White Grid |
| SNPPSW2GWW | Power Point Switched 2 Gang, 10A 250V~ with Removable Extra Switch 16AX/20A, White Cover, White Grid |

ORDERING NOTES:

When ordering **BLACK/BLACK** product replace "WW" with "BB" at end of catalogue number, ie SNPP2GBB

When ordering **BLACK/SILVER** product replace "WW" with "BS" at end of catalogue number, ie SNPP2GBS

When ordering **WHITE/SILVER** product replace "WW" with "WS" at end of catalogue number, ie SNPP2GWS



MEERKAT Switch Mechanisms are used for all switch plates.
Please refer to **MEERKAT Mech Matrix** for full range.

Certification Number:
GMA-500348-EA / GMA-500349-EA

GSM Electrical (Australia) Pty Ltd
Level 2, 142-144 Fullarton Road, Rose Park SA 5067
P: 1300 301 838 F: 1300 301 778 E: service@gsm.com.au
www.gsm.com.au



SNPP2USBAUWW
SNPP2USBAUBB

Snow Leopard Range of Dual USB Charger Power Points

- Sockets rated to 10A 250V a.c.
- Warm white LED indicators to show power on status.
- USB outlets rated to 3.4A max total at 5V.
- Auto-Switched socket outlet switches active upon plug insertion/withdrawal.
- Each electrical socket contains shutters activated from the neutral pin.
- The USB circuit is integrated with the socket outlet and connected internally so only one set of terminals are required for the electrician to wire the device.
- Fits standard mounting accessories with 84mm centres.
- Terminals suit 3 x 2.5mm².
- Recommended for phone use or small tablet only, larger devices such as laptops with USB C connections require much greater output.
- Standard colour is White, White. Also available in Black, Black - please check availability.
- Product is approved in accordance with AS/NZS3112.
- USB outlets comply with AS/NZS61558.2.16:2010 A1-3.
- Typical example of size seen below:

Cleaning Guide:

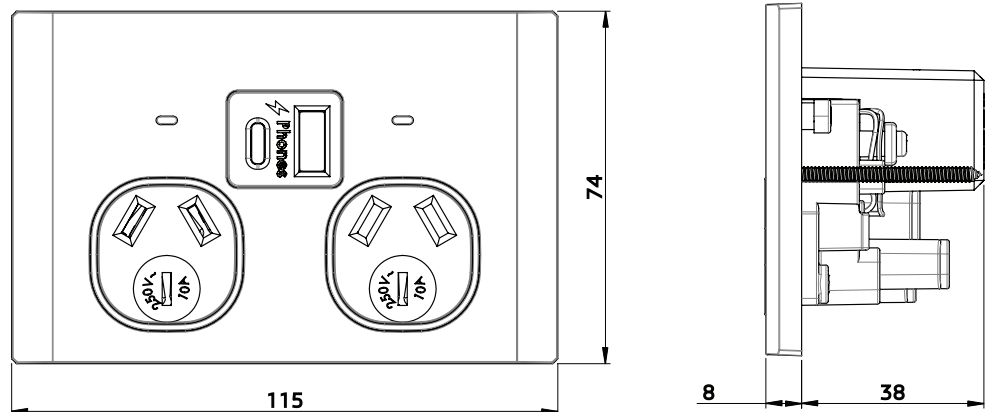
Spraying cleaning products directly on to electrical switches or power points (sockets) is not recommended.

It is important to ensure that switches are turned off before cleaning.

Do not use any cleaning sprays - only wipe down with damp cloth or rub with dry cloth. Do not use an abrasive cloth as it may scratch the plastic.

Do not use harsh chemical cleaners as these can break down the plastic and cause it to crack.

Do not wash the cover plates in water over 60°C.



| Catalogue Number | Description |
|------------------|---|
| SNPP2USBAUWW | Power Point Fully Integrated Dual USB Charger (Type A & C) Auto-Switched, 10A 250V~ White Cover, White Grid |
| SNPP2USBAUBB | Power Point Fully Integrated Dual USB Charger (Type A & C) Auto-Switched, 10A 250V~ Black Cover, Black Grid |



Certification Number:
TBC

GSM Electrical (Australia) Pty Ltd
Level 2, 142-144 Fullarton Road, Rose Park SA 5067
P: 1300 301 838 F: 1300 301 778 E: service@g sme.com.au
www.g sme.com.au



Vertical Switches

- SNSWV1GWW
- SNSWV2GWW
- SNSWV3GWW
- SNSWV4GWW
- SNSWV5GWW
- SNSWV6GWW

Horizontal Switches

- SNSW1GWW
- SNSW2GWW
- SNSW3GWW
- SNSW4GWW
- SNSW5GWW
- SNSW6GWW

Switch Plates (Less Mechs)

- SNSWPV1GWW
- SNSWPV2GWW
- SNSWPV3GWW
- SNSWPV4GWW
- SNSWPV5GWW
- SNSWPV6GWW
- SNSWPVXGWW

Available in Black, White/Silver and Black/Silver - see order code details in notes below table

*See current catalogue for further detail

Note: MESWC (previously LESWM) switch mechanism used in conjunction with Snow Leopard, Leopard and Cheetah plates

Cleaning Guide:

Spraying cleaning products directly on to electrical switches or power points (sockets) is not recommended. It is important to ensure that switches are turned off before cleaning. Do not use any cleaning sprays - only wipe down with damp cloth or rub with dry cloth. Do not use an abrasive cloth as it may scratch the plastic. Do not use harsh chemical cleaners as these can break down the plastic and cause it to crack. Do not wash the cover plates in water over 60°C.



Snow Leopard Range of Switch Plates

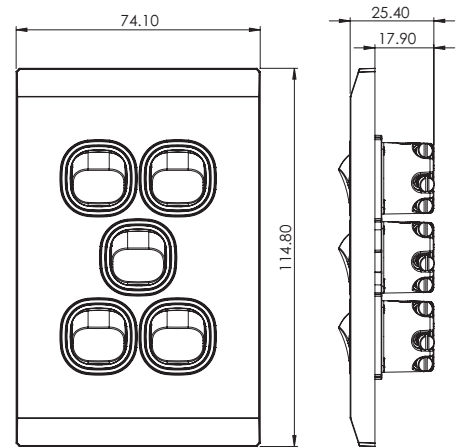
- Switches are rated 16AX/20A 250V~ and approved to AS/NZS60669-1
- Fits standard Australian wall boxes and mounting accessories that use 84mm mounting centres
- Uses brass tunnel terminals that have the screws backed out for easier installation of cabling. Switches are two way with looping terminal and suit 4 x 1.5mm² cabling with 4.1mm bore
- Slotted head screws for the terminals
- Uses 'Cat Flap' screw covers for IP rating or mounting screws
- Covers, plates and dollies are made from UV stabilised polycarbonate to avoid discolouring to yellow
- Standard colour is white. Available in Black, White/Silver and Black/Silver - Please check availability.
- Plates suit Trader Meerkat MESWC mechs, including TV and Data; and Clipsal 30 Style* mechs and accessories
- Horizontals are available by request
- Typical example of size seen below:



Example of cover plate only / grid and plate only (less mech)



Example of cover plate with MERJ6CM data mech installed



| Catalogue No. | Description |
|---------------|--|
| SNSWV1GWW | Switch Vertical 1 Gang, 16AX/20A 250V~ |
| SNSWV2GWW | Switch Vertical 2 Gang, 16AX/20A 250V~ |
| SNSWV3GWW | Switch Vertical 3 Gang, 16AX/20A 250V~ |
| SNSWV4GWW | Switch Vertical 4 Gang, 16AX/20A 250V~ |
| SNSWV5GWW | Switch Vertical 5 Gang, 16AX/20A 250V~ |
| SNSWV6GWW | Switch Vertical 6 Gang, 16AX/20A 250V~ |
| SNSW1GWW | Switch Horizontal 1 Gang, 16AX/20A 250V~ |
| SNSW2GWW | Switch Horizontal 2 Gang, 16AX/20A 250V~ |
| SNSW3GWW | Switch Horizontal 3 Gang, 16AX/20A 250V~ |
| SNSW4GWW | Switch Horizontal 4 Gang, 16AX/20A 250V~ |
| SNSW5GWW | Switch Horizontal 5 Gang, 16AX/20A 250V~ |
| SNSW6GWW | Switch Horizontal 6 Gang, 16AX/20A 250V~ |

| Catalogue No. | Description |
|---------------|--|
| SNSWPV1GWW | Switch Plate Vertical 1 Gang (Less Mech) |
| SNSWPV2GWW | Switch Plate Vertical 2 Gang (Less Mech) |
| SNSWPV3GWW | Switch Plate Vertical 3 Gang (Less Mech) |
| SNSWPV4GWW | Switch Plate Vertical 4 Gang (Less Mech) |
| SNSWPV5GWW | Switch Plate Vertical 5 Gang (Less Mech) |
| SNSWPV6GWW | Switch Plate Vertical 6 Gang (Less Mech) |
| SNSWPVXGWW | Blank plate with clip on surround |

The above catalogue numbers where "P" appears in number, refers to Cover Plate Only / Grid and Plate only (less mech)

*The Clipsal brand and associated products are Trademarks of Schneider Electric (Australia) Pty Ltd.

GSM Electrical (Australia) Pty Ltd, the TRADER brand and it's products, have no endorsement or affiliation with Schneider Electric Pty Ltd.

ORDERING NOTES:

When ordering **BLACK/BLACK** product replace "WW" with "BB" at end of catalogue number, ie SNPP2GBB
 When ordering **BLACK/SILVER** product replace "WW" with "BS" at end of catalogue number, ie SNPP2GBS
 When ordering **WHITE/SILVER** product replace "WW" with "WS" at end of catalogue number, ie SNPP2GWS



MEERKAT Switch Mechanisms are used for all switch plates. Please refer to **MEERKAT Mech Matrix** for full range.

Certification Number:
GMA-507879-EA

GSM Electrical (Australia) Pty Ltd
 Level 2, 142-144 Fullarton Road, Rose Park SA 5067
 P: 1300 301 838 F: 1300 301 778 E: service@gsme.com.au
www.gsme.com.au



SNSWDPOV45WW SNSWDPOV45WWH

Also available in:
Black cover, Black grid
White cover, Silver grid
Black cover, Silver grid
 See order code details
 in notes below table

Cleaning Guide:

Spraying cleaning products directly on to electrical switches or power points (sockets) is not recommended.

It is important to ensure that switches are turned off before cleaning.

Do not use any cleaning sprays - only wipe down with damp cloth or rub with dry cloth. Do not use an abrasive cloth as it may scratch the plastic.

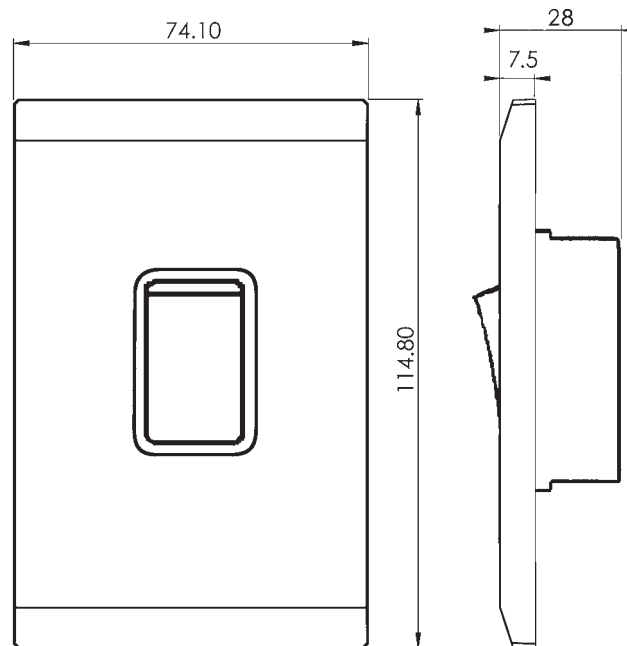
Do not use harsh chemical cleaners as these can break down the plastic and cause it to crack.

Do not wash the cover plates in water over 60°C.



Snow Leopard Oven Switches

- Switch approved to AS/NZS60669.1:2013
- 45A 250V~, Double Pole
- Includes looping terminals
- Terminal bore 5.8mm diameter
- Cover, plate and dolly is made from UV stabilised polycarbonate to avoid discolouring to yellow
- Standard colour is White. Available in Black, White/Silver and Black/Silver - Please check availability.



| Catalogue Number | Description |
|------------------|--|
| SNSWDPOV45WW | Switch Oven 45A 250V~ Double Pole White Cover, White Grid |
| SNSWDPOV45WWH | Switch Oven 45A 250V~ Double Pole White Cover, White Grid Horizontal |

ORDERING NOTES:

When ordering **BLACK/BLACK** product replace "WW" with "BB" at end of catalogue number, ie SNPP2GBB
 When ordering **BLACK/SILVER** product replace "WW" with "BS" at end of catalogue number, ie SNPP2GBS
 When ordering **WHITE/SILVER** product replace "WW" with "WS" at end of catalogue number, ie SNPP2GWS

Certification Number:
GMA-502679

GSM Electrical (Australia) Pty Ltd
 Level 2, 142-144 Fullarton Road, Rose Park SA 5067
 P: 1300 301 838 F: 1300 301 778 E: service@gsme.com.au
www.gsme.com.au



Data Specification Sheet
February 2020