

## Catalogue Number Changes and Additions

PAGE 1 of 3



**BUExSO310**



**BUExSO532**



**BUP310**



**BUP520**



Products have been added to the Buffalo range.  
Some product codes in the Buffalo range have been changed.

See all product additions and changes below.

### OLD & NEW CROSS REFERENCE CHART

#### BUExSO Extension Socket Series

Old Product Code	New Product Code	Description
	BUExSO310	Socket Extension Cord IP66 10A 250V~ 3 Flat Pin
	BUExSO315	Socket Extension Cord IP66 15A 250V~ 3 Flat Pin
	BUExSO320	Socket Extension Cord IP66 20A 250V~ 3 Round Pin
	BUExSO332	Socket Extension Cord IP66 32A 250V~ 3 Round Pin
BUExPP410OR	BUExSO410	Socket Extension Cord IP66 10A 500V~ 4 Pin
BUExPP420OR	BUExSO420	Socket Extension Cord IP66 20A 500V~ 4 Pin
BUExPP432OR	BUExSO432	Socket Extension Cord IP66 32A 500V~ 4 Pin
	BUExSO440	Socket Extension Cord IP66 40A 500V~ 4 Pin
	BUExSO450	Socket Extension Cord IP66 50A 500V~ 4 Pin
BUExPP510OR	BUExSO510	Socket Extension Cord IP66 10A 500V~ 5 Pin
BUExPP520OR	BUExSO520	Socket Extension Cord IP66 20A 500V~ 5 Pin
BUExPP532OR	BUExSO532	Socket Extension Cord IP66 32A 500V~ 5 Pin
	BUExSO540	Socket Extension Cord IP66 40A 500V~ 5 Pin
	BUExSO550	Socket Extension Cord IP66 50A 500V~ 5 Pin

#### BUP Plug Series

Old Product Code	New Product Code	Description
BUP310OR	BUP310	Plug IP66 10A 250V~ 3 Flat Pin
	BUP310L	Plug IP66 10A 250V~ 2 Flat & 1 Round Pin
BUP315OR	BUP315	Plug IP66 15A 250V~ 3 Flat Pin
BUP320OR	BUP320	Plug IP66 20A 250V~ 3 Round Pin
BUP332OR	BUP332	Plug IP66 32A 250V~ 3 Round Pin
BUP410OR	BUP410	Plug IP66 10A 500V~ 4 Pin
BUP420OR	BUP420	Plug IP66 20A 500V~ 4 Pin
BUP432OR	BUP432	Plug IP66 32A 500V~ 4 Pin
	BUP440	Plug IP66 40A 500V~ 4 Pin
	BUP450	Plug IP66 50A 500V~ 4 Pin
BUP510OR	BUP510	Plug IP66 10A 500V~ 5 Pin
BUP520OR	BUP520	Plug IP66 20A 500V~ 5 Pin
BUP532OR	BUP532	Plug IP66 32A 500V~ 5 Pin
	BUP540	Plug IP66 40A 500V~ 5 Pin
BUP550OR	BUP550	Plug IP66 50A 500V~ 5 Pin

Old Product code only listed if it has changed.

#### NEW PRODUCTS

## Catalogue Number Changes and Additions

PAGE 2 of 3



**BUPA332**



**BU4DINLED**



**BUBB1G**



**BUL1**



### BUPA Angled Plug Series

Old Product Code	New Product Code	Description
	BUPA332	Plug Angled IP66 32A 250V~ 3 Round Pin
BUPA410OR	BUPA410	Plug Angled IP66 10A 500V~ 4 Pin
BUPA420OR	BUPA420	Plug Angled IP66 20A 500V~ 4 Pin
BUPA432OR	BUPA432	Plug Angled IP66 32A 500V~ 4 Pin
	BUPA440	Plug Angled IP66 40A 500V~ 4 Pin
	BUPA450	Plug Angled IP66 50A 500V~ 4 Pin
BUPA510OR	BUPA510	Plug Angled IP66 10A 500V~ 5 Pin
BUPA520OR	BUPA520	Plug Angled IP66 20A 500V~ 5 Pin
BUPA532OR	BUPA532	Plug Angled IP66 32A 500V~ 5 Pin
	BUPA540	Plug Angled IP66 40A 500V~ 5 Pin
	BUPA550	Plug Angled IP66 50A 500V~ 5 Pin

### BUDIN Series

Old Product Code	New Product Code	Description
	BU4DIN	Enclosure DIN 4 Pole IP66
	BU4DINLE	Enclosure DIN 4 Pole IP66 Less Back Box
	BU4DINLED	Enclosure DIN 4 Pole IP66 with LED
	BU4DINLEDLE	Enclosure DIN 4 Pole IP66 with LED, Less Back Box
	BU4DINKIT	DIN Rail Assembly Kit 4 Pole

### BUBB Enclosure (Back Box) Series

Old Product Code	New Product Code	Description
BUBB1G32	BUBB1G	Enclosure Back Box 1 Gang with 32mm & 2 x 25mm Entries
BUBBS1G	BUBB1GS	Enclosure Back Box Shallow 1 Gang with 25mm & 2 x 20mm Entries
BUBB2G32	BUBB2G	Enclosure Back Box 2 Gang with 32mm & 2 x 25mm Entries
BUBBS2G	BUBB2GS	Enclosure Back Box Shallow 2 Gang with 25mm & 2 x 20mm Entries
	BUBB3G	Enclosure Back Box 3 Gang with 32mm & 2 x 25mm Entries
	BUBB4G	Enclosure Back Box 4 Gang with 2 x 32mm & 2 x 25mm Entries
	BUBB6G	Enclosure Back Box 6 Gang with 2 x 32mm & 2 x 25mm Entries

### BUL Enclosure Lid Series

Old Product Code	New Product Code	Description
	BUL1	Lid for 1 Gang Enclosures
	BUL2	Lid for 2 Gang Enclosures

Old Product code only listed if it has changed.

NEW PRODUCTS

## Catalogue Number Changes and Additions

PAGE 3 of 3



**BUJB1**



**BUAI310**



**BUAI532**

### BUJB Junction Box Series

Old Product Code	New Product Code	Description
	BUJB1	Junction Box IP66 1 Gang, supplied with connectors
	BUJB2	Junction Box IP66 2 Gang, supplied with connectors

### BUAI Appliance Inlet Series

Old Product Code	New Product Code	Description
	BUAI310	Appliance Inlet IP66 10A 250V~ 3 Flat Pin
	BUAI310LE	Appliance Inlet IP66 10A 250V~ 3 Flat Pin, Less Enclosure
	BUAI315	Appliance Inlet IP66 15A 250V~ 3 Flat Pin
	BUAI315LE	Appliance Inlet IP66 15A 250V~ 3 Flat Pin, Less Enclosure
	BUAI320	Appliance Inlet IP66 20A 250V~ 3 Round Pin
	BUAI332	Appliance Inlet IP66 32A 250V~ 3 Round Pin
	BUAI410	Appliance Inlet IP66 10A 500V~ 4 Pin
	BUAI420	Appliance Inlet IP66 20A 500V~ 4 Pin
	BUAI432	Appliance Inlet IP66 32A 500V~ 4 Pin
	BUAI440	Appliance Inlet IP66 40A 500V~ 4 Pin
	BUAI450	Appliance Inlet IP66 50A 500V~ 4 Pin
	BUAI510	Appliance Inlet IP66 10A 500V~ 5 Pin
	BUAI520	Appliance Inlet IP66 20A 500V~ 5 Pin
	BUAI532	Appliance Inlet IP66 32A 500V~ 5 Pin
	BUAI540	Appliance Inlet IP66 40A 500V~ 5 Pin
	BUAI550	Appliance Inlet IP66 50A 500V~ 5 Pin

### BU Accessories

Old Product Code	New Product Code	Description
	BUBRIDGE	Bridge for BUBB Back Box Range
	BUCAP9	Cover Screw Caps Grey

Old Product code only listed if it has changed.

NEW PRODUCTS



**Technical Information Common to Buffalo Industrial Range**  
PAGE 1 of 3





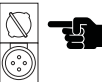



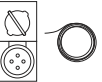

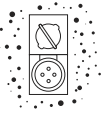



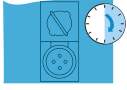

Buffalo products are tough, and perform well in the dust and the wet. They provide resistance to chemical attack, weather effects and are impervious to the ingress of dust and the damaging effects of water. Buffalo also offers products with a dependable protection rating of IP66 to cover many arduous applications.

**Protection Rating Reference Chart (IP Code AS 60529)**

IP stands for Ingress Protection and is formed with two numbers: IPXX.  
The two numbers refer to two levels of protection.

**IPXX**

The first digit shows the level of protection against **solid** objects.  
The second digit shows the level of protection against **liquids**

Solids		Liquids	
1		1	
2		2	
3		3	
4		4	
5		5	
6		6	
		7	
		8	



**Technical Information  
Common to Buffalo  
Industrial Range**










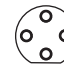








PAGE 2 of 3

Unique keyways are provided to differentiate between current ratings in Size 1 & Size 2 products to prevent larger capacity loads being plugged into smaller capacity plugs.



















Product designs are compliant in accordance with AS/NZS3112 and AS/NZS3123 (Plugs, Socket-outlets and Couplers for general industrial applications).

**Table 1** (pin configurations referenced in product charts)

**Plugs**

						
A 10A 250V~ 3 Pin	B 15A 250V~ 3 Pin	C 10A 250V~ 3 Pin	D 15A 32V~ Polarised 2 Pin	E 20A 250V~ 3 Pin	F 10A 250V~ 3 Pin	G 20A 250V~ 3 Pin
						
H 32A 250V~ 3 Pin	I 10A 500V~ 4 Pin	J 20A 500V~ 4 Pin	K 32A 500V~ 4 Pin	L 40A 500V~ 4 Pin	M 50A 500V~ 4 Pin	N 10A 500V~ 5 Pin
						
O 20A 500V~ 5 Pin	P 32A 500V~ 5 Pin	Q 40A 500V~ 5 Pin	R 50A 500V~ 5 Pin			

**Sockets**

						
A 10A 250V~ 3 Pin	B 15A 250V~ 3 Pin	C 10A 250V~ 3 Pin	D 15A 32V~ Polarised 2 Pin	E 20A 250V~ 3 Pin	F 10A 250V~ 3 Pin	G 20A 250V~ 3 Pin
						
H 32A 250V~ 3 Pin	I 10A 500V~ 4 Pin	J 20A 500V~ 4 Pin	K 32A 500V~ 4 Pin	L 40A 500V~ 4 Pin	M 50A 500V~ 4 Pin	N 10A 500V~ 5 Pin
						
O 20A 500V~ 5 Pin	P 32A 500V~ 5 Pin	Q 40A 500V~ 5 Pin	R 50A 500V~ 5 Pin			



**Technical Information Common to Buffalo Industrial Range**  
PAGE 3 of 3

**Buffalo Chemical Resistance Chart**

At Trader we have reconfigured the Buffalo range to align with common industry practices for the application of the grey polycarbonate front covers for switches, sockets and appliance inlets with PVC back boxes to mount various applications.

Additionally plugs and extension sockets are supplied in combined transparent and orange polycarbonate materials, with transparent sections specifically provided to enable simplified viewing of internal cable connections or pin arrangements. Cord entries on both plugs & extension sockets are made of durable nylon.

All fixing screws, springs and pins exposed to the elements being produced from 304 grade stainless steel help to provide long term weatherability and performance in many environments.

The Buffalo range is on par with many industrial products in the market and plugs and sockets are fully interchangeable and will perform in a broad range of environments when exposed to hydrocarbons such as petrol and oils, alkalis and a range of solvents. Please review the chemical performance chart for more detail and contact us with any queries.

Excellent	Recommended no adverse effects after extended exposure
Good	Acceptable with minimal mechanical property loss from extended exposure
Fair	Loss of mechanical property from extended exposure
Not Suitable	Not recommended for use due to poor performance and significant mechanical property loss

Product Type		Enclosures (Back boxes) (PVC)	Housings for Switches, Sockets, Plugs and Appliance Inlets, as well as exposed aspects such as flaps, knobs, lock rings and latches (Polycarbonate)
Product Colour		Grey	Grey, Transparent and Orange (plugs)
<b>Acids</b>			
Weak Solutions	Hydrochloric 10%	Excellent	Excellent
	Nitric 10%	Excellent	Excellent
Concentrate	Sulphuric 100%	Excellent	Not Suitable
<b>Alkalis</b>			
Weak Solutions	Sodium Hydroxide 10% (Caustic Soda)	Excellent	Not Suitable
Concentrate	Potassium Hydroxide 100%	Excellent	Good
<b>Automotive</b>			
	Petroleum	Excellent	Not Suitable
	Lubrication Oils	Excellent	Not Suitable
	Hydraulic Oil	Excellent	Not Suitable
<b>Solvents</b>			
Aliphatic Hydrocarbons (Alkanes)	Methane	Excellent	Excellent
	Propane	Excellent	Excellent
Alcohols	Ethylene Glycol	Excellent	Excellent
	Glycerol (Glycerin)	Excellent	Fair
	Methyl Alcohol (Methanol)	Excellent	Not Suitable
	Ethyl Alcohol (Ethanol)	Excellent	Excellent
Amines	Aniline	Not Suitable	Not Suitable
Aromatic Hydrocarbons	Methyl Benzene	Not Suitable	Not Suitable
	Xylene	Not Suitable	Not Suitable
Ethers	Dimethyl Ethyl	Excellent	Excellent
	Acetone	Excellent	Not Suitable
Ketones	Acetophenone	Not Suitable	Not Suitable
	Ethyl Methyl Ketone	Not Suitable	Not Suitable
<b>Miscellaneous</b>			
	Detergent	Excellent	Excellent
Inorganic Salts	Magensium Sulphate	Excellent	Excellent
<b>Oxidising Agents</b>			
Weak Solution	Sodium Hypochlorite 5%	Excellent	Excellent
Strong Solution	Hydrogen Peroxide 30%	Excellent	Excellent
<b>Water</b>			
	Ambient	Excellent	Excellent
	Heated >60°C	Fair	Excellent
	Steam	Not Suitable	Not Suitable



**BUC310**  
**BUC315**  
**BUC320**  
**BUC332**  
**BUC410**  
**BUC420**  
**BUC432**  
**BUC440**  
**BUC450**  
**BUC510**  
**BUC520**  
**BUC532**  
**BUC540**  
**BUC550**

**BUC310LE**  
**BUC315LE**  
**BUC320LE**  
**BUC332LE**  
**BUC410LE**  
**BUC420LE**  
**BUC432LE**  
**BUC440LE**  
**BUC450LE**  
**BUC510LE**  
**BUC520LE**  
**BUC532LE**  
**BUC540LE**  
**BUC550LE**

## Modular Combinations

Buffalo offers an extensive range of modular combinations that adapt readily to almost any situation, three pin up to 32A, four and five pin up to 50A.

Phase links are factory fitted in all cases (Installers should check that no terminals have loosened off in transport). The terminal sizes are generous to allow easy connection of the conductors. See the table for product detail.



General Information						Switch Data					Socket Data				Plug Data
Pin & Volt	Cat No.	Current Rating	Pin Config	Pin Config Code (Table 1)	Enclosure	AC21 Rating (A)	AC22 Rating (A)	AC23 Rating (A)	M Rating	a Conductor Size (mm <sup>2</sup> )	Maximum Conductor Size (mm <sup>2</sup> )	Minimum Conductor Size (mm <sup>2</sup> )	Maximum Conductor Size (mm <sup>2</sup> )	Matching Plug	
3 Pin 250V~	BUC310	10	3 Flat	A	BUBBS2G	10	10	8	M80	1.5	6	1.5	6	BUP310	
	BUC315	15	3 Flat	B	BUBBS2G	15	15	8	M80	1.5	6	1.5	6	BUP315	
3 Pin 500V~	BUC320	20	3 Round	C	BUBB2G	20	20	20	M150	6	16	2.5	6	BUP320	
	BUC332	32	3 Round	D	BUBB2G	32	32	28	M180	6	16	6	16	BUP332	
4 Pin 500V~	BUC410	10	4 Round	E	BUBB2G	10	10	10	M100	6	16	1.5	6	BUP410	
	BUC420	20	4 Round	F	BUBB2G	20	20	20	M150	6	16	1.5	6	BUP420	
	BUC432	32	4 Round	G	BUBB2G	32	32	28	M180	6	16	2.5	6	BUP432	
	BUC440	40	4 Round	H	BUBB2G	40	40	35	M200	10	25	6	16		
	BUC450	50	4 Round	I	BUBB2G	50	50	25	M250	10	25	10	16		
5 Pin 500V~	BUC510	10	5 Round	J	BUBB2G	10	10	10	M100	6	16	1.5	6	BUP510	
	BUC520	20	5 Round	K	BUBB2G	20	20	20	M150	6	16	1.5	6	BUP520	
	BUC532	32	5 Round	L	BUBB2G	32	32	28	M180	6	16	2.5	6	BUP532	
	BUC540	40	5 Round	M	BUBB2G	40	40	35	M200	10	25	6	16		
	BUC550	50	5 Round	N	BUBB2G	50	50	25	M250	10	25	10	16		

When ordering LESS ENCLOSURE add "LE" at end of catalogue number, ie "BUC310LE"



**Certification Number:**  
GMA-500838

**GSM Electrical (Australia) Pty Ltd**

Level 2, 142-144 Fullarton Road, Rose Park SA 5067  
P: 1300 301 838 F: 1300 301 778 E: service@gsm.com.au  
www.gsm.com.au



Data Specification Sheet  
September 2018

- BUSW110**
- BUSW120**
- BUSW132**
- BUSW220**
- BUSW310**
- BUSW320**
- BUSW332**
- BUSW350**
- BUSW363**
  
- BUSW110LE**
- BUSW120LE**
- BUSW132LE**
- BUSW220LE**
- BUSW310LE**
- BUSW320LE**
- BUSW332LE**
- BUSW350LE**
- BUSW363LE**

## Heavy Duty Switches

The same heavy duty switches used in our Combinations are available as individual switches for isolation and control applications.

They have generous terminal sizes, have a large, easy to use knob, suitable for use with heavy industrial gloves, and a positive, rotary action. They feature an eight millimetre lock off facility.



The range includes Single, Double, and Three Pole, in amperages from 10A up to 63A. See the table for product detail.

Pole & Volt	Cat No.	Current Rating (Nominal) (A)	AC21 Rating (A)	AC22 Rating (A)	AC23 Rating (A)	M Rating	Minimum Conductor Size (mm <sup>2</sup> )	Maximum Conductor Size (mm <sup>2</sup> )
Single Pole 250V~	BUSW110	10	10	10	8	M80	1.5	6
	BUSW120	20	20	15	8	M150	2.5	16
	BUSW132	32	32	20	28	M180	6	16
2 Pole 500V~	BUSW220	20	20	32	28	M150	2.5	16
3 Pole 500V~	BUSW310	10	10	10	10	M100	2.5	16
	BUSW320	20	20	20	20	M150	2.5	16
	BUSW332	32	32	28	28	M180	6	16
	BUSW350	50	50	25	35	M250	10	25
	BUSW363	63	63	25	25	M300	10	25

When ordering *LESS ENCLOSURE* add "LE" at end of catalogue number, ie "BUSW110LE"



**Certification Number:**  
GMA-500799-EA

**GSM Electrical (Australia) Pty Ltd**

Level 2, 142-144 Fullarton Road, Rose Park SA 5067  
P: 1300 301 838 F: 1300 301 778 E: service@gsme.com.au  
[www.gsme.com.au](http://www.gsme.com.au)



Data Specification Sheet  
September 2018



**BUPP310**  
**BUPP315**  
**BUPP320**  
**BUPP332**  
**BUPP410**  
**BUPP420**  
**BUPP432**  
**BUPP510**  
**BUPP520**  
**BUPP532**  
  
**BUPP310LE**  
**BUPP315LE**  
**BUPP320LE**  
**BUPP332LE**  
**BUPP410LE**  
**BUPP420LE**  
**BUPP432LE**  
**BUPP510LE**  
**BUPP520LE**  
**BUPP532LE**

## Heavy Duty Sockets

The Socket components used in our Combinations are also available as individual Socket Outlets for use in relevant applications.

They are robust and easy to use, and have a one piece transparent flap to seal out dust and moisture when not in use.

This self latching one piece design removes a possible failure point and opportunities for dust and grime to collect.

The range includes three, four, and five pin products in amperages from 10A up to 50A. See the table for product detail.



Pin & Volt	Cat No.	Current Rating (A)	Pin Config	Pin Config Code (Table 1)	Enclosure	Minimum Conductor Size (mm <sup>2</sup> )	Maximum Conductor Size (mm <sup>2</sup> )	Matching Plug
3 Pin 250V~	BUPP310	10	3 Flat	A	BUBBS1G	1.5	6	BUP310OR
	BUPP315	15	3 Flat	B	BUBBS1G	1.5	6	BUP315OR
3 Pin 500V~	BUPP320	20	3 Round	C	BUBB1G	2.5	6	BUP320OR/BUPA320OR
	BUPP332	32	3 Round	D	BUBB1G	6	16	BUP332OR/BUPA332OR
4 Pin 500V~	BUPP410	10	4 Round	E	BUBB1G	1.5	6	BUP410OR/BUPA410OR
	BUPP420	20	4 Round	F	BUBB1G	1.5	6	BUP420OR/BUPA420OR
	BUPP432	32	4 Round	G	BUBB1G	2.5	6	BUP432OR/BUPA432OR
5 Pin 500V~	BUPP510	10	5 Round	J	BUBB1G	1.5	6	BUP510OR/BUPA510OR
	BUPP520	20	5 Round	K	BUBB1G	1.5	6	BUP520OR/BUPA520OR
	BUPP532	32	5 Round	L	BUBB1G	2.5	6	BUP532OR/BUPA532OR

When ordering LESS ENCLOSURE add "LE" at end of catalogue number, ie "BUPP310LE"



**Certification Number:**  
GMA-500838

**GSM Electrical (Australia) Pty Ltd**  
Level 2, 142-144 Fullarton Road, Rose Park SA 5067  
P: 1300 301 838 F: 1300 301 778 E: service@gsme.com.au  
[www.gsme.com.au](http://www.gsme.com.au)



Data Specification Sheet  
September 2018

**BUPPAU310**  
**BUPPAU315**  
**BUPPAU310LE**  
**BUPPAU315LE**

## Sockets Auto Switched

They are robust and easy to use, and have a one piece transparent flap to seal out dust and moisture when not in use.

This self latching one piece design removes a possible failure point and opportunities for dust and grime to collect.

Available in 10A and 15A flat pin format compliant to AS/NZS3112. The material of these products varies from others in the range as they are made from UV stabilized polycarbonate. This needs to be taken into account when for selecting these products for use in environments where they require a higher level of chemical performance than standard.

They use the same installation and gasket system as the rest of the Buffalo range and provide suitable IP66 seal when installed.



Pin & Volt	Cat No.	Current Rating (A)	Pin Config	Pin Config Code (Table 1)	Enclosure	Minimum Conductor Size (mm <sup>2</sup> )	Maximum Conductor Size (mm <sup>2</sup> )	Matching Plug
3 Pin 250V~	BUPPAU310	10	3 Flat	A	BUBBS1G	1.5	6	BUP310OR
	BUPPAU315	15	3 Flat	B	BUBBS1G	1.5	6	BUP315OR

When ordering *LESS ENCLOSURE* add "LE" at end of catalogue number, ie "BUPPAU310LE"



**Certification Number:**  
SAA-192929-EA

**GSM Electrical (Australia) Pty Ltd**  
Level 2, 142-144 Fullarton Road, Rose Park SA 5067  
P: 1300 301 838 F: 1300 301 778 E: service@gsmc.com.au  
[www.gsmc.com.au](http://www.gsmc.com.au)



Data Specification Sheet  
March 2020

Product Code Cross Reference

OLD CODE	NEW CODE
	<b>BUEXO310</b>
	<b>BUEXO315</b>
	<b>BUEXO320</b>
	<b>BUEXO332</b>
<b>BUEXPP410OR</b>	<b>BUEXO410</b>
<b>BUEXPP420OR</b>	<b>BUEXO420</b>
<b>BUEXPP432OR</b>	<b>BUEXO432</b>
	<b>BUEXO440</b>
	<b>BUEXO450</b>
<b>BUEXPP510OR</b>	<b>BUEXO510</b>
<b>BUEXPP520OR</b>	<b>BUEXO520</b>
<b>BUEXPP532OR</b>	<b>BUEXO532</b>
	<b>BUEXO540</b>
	<b>BUEXO550</b>

PAGE 1 of 2



## IP66 Extension Sockets

- Small Single Phase 10A to 15A (250V~).
- Size 1 Single & Three Phase 10A to 20A (250V~ to 500V~).
- Size 2 Single & Three Phase 32A to 50A (250V~ to 500V~).
- 3 Flat Pin, 3 Round Pin, 4 Round Pin, 5 Round Pin.
- 10A, 15A, 20A, 32A, 40A & 50A current ratings.
- Straight body format providing a more traditional design.
- Ribbed Lock ring on Small Single Phase versions for gripping with gloved hands.
- Rear cord entry and cable gland ensuring IP66 rating.
- Internal cable clamp to support electrical connections.
- Size 1 Single and Three Phase suits Smaller to Medium single or three phase loads.
- Size 2 Single and Three Phase suits Medium to Large single or three phase loads.
- Size 1 and Size 2 products have hinged Spring Loaded cover flaps for added safety and to keep dust & water out.
- Small Extension Sockets 10A and 15A accept cables from  $\varnothing$  6-12mm
- Size 1 Extension Sockets 10A and 20A accept cables from  $\varnothing$  12-18mm
- Size 2 Extension Sockets 32A, 40A and 50A accept cables from  $\varnothing$  11-25mm



Pin & Volt	*Cat No. Extension Sockets	Current Rating (A)	Pin Config	Pin Config Code (Table 1)	Terminal Size	Maximum Conductor Size (mm <sup>2</sup> )	Minimum Cable Diameter (mm2)	Maximum Cable Diameter (mm2)	Gland Nut Thread (mm)	Matching Plug Straight / Angled	Matching Appliance Inlet
3 Pin 250V~	BUEXO310	10	3 Flat	A	2.4 x 4.5	6	6	12	M20 x 1.5	BUP310	BUAI310
	BUEXO315	15	3 Flat	B	2.4 x 4.5	6	6	12	M20 x 1.5	BUP315	BUAI315
	BUEXO320	20	3 Round	G	$\varnothing$ 4.6	6	12	18	M25 x 1.5	BUP320/ BUPA320	BUAI320
	BUEXO332	32	3 Round	H	$\varnothing$ 6	16	11	25	PG29	BUP332/ BUPA332	BUAI332
4 Pin 500V~	BUEXO410	10	4 Round	I	$\varnothing$ 4.6	6	12	18	M25 x 1.5	BUP410/ BUPA410	BUAI410
	BUEXO420	20	4 Round	J	$\varnothing$ 4.6	6	12	18	M25 x 1.5	BUP420/ BUPA420	BUAI420
	BUEXO432	32	4 Round	K	$\varnothing$ 6	16	11	25	PG29	BUP432/ BUPA432	BUAI432
	BUEXO440	40	4 Round	L	$\varnothing$ 6	16	11	25	M32 x 1.5	BUP440/ BUPA440	BUAI440
	BUEXO450	50	4 Round	M	$\varnothing$ 6	16	11	25	M32 x 1.5	BUP450/ BUPA450	BUAI450
5 Pin 500V~	BUEXO510	10	5 Round	N	$\varnothing$ 4.6	6	12	18	M25 x 1.5	BUP510/ BUPA510	BUAI510
	BUEXO520	20	5 Round	O	$\varnothing$ 4.6	6	12	18	M25 x 1.5	BUP520/ BUPA520	BUAI520
	BUEXO532	32	5 Round	P	$\varnothing$ 6	16	11	25	PG29	BUP532/ BUPA532	BUAI532
	BUEXO540	40	5 Round	Q	$\varnothing$ 6	16	11	25	M32 x 1.5	BUP540/ BUPA540	BUAI540
	BUEXO550	50	5 Round	R	$\varnothing$ 6	16	11	25	M32 x 1.5	BUP550/ BUPA550	BUAI550

Tables include NEW product codes. Please refer to Old & New Cross Reference Chart for OLD product codes.

All products accept Appliance Inlet (BUAI) or Plug (BUP/BUPA), locking rings which prevents accidental removal and assists with maintaining the highest IP Rating and a spring loaded flap that seals out dust and moisture when not in use.

Compatible with common pendant outlet kits.

**Certification Number:**  
TBC

**GSM Electrical (Australia) Pty Ltd**  
Level 2, 142-144 Fullarton Road, Rose Park SA 5067  
P: 1300 301 838 F: 1300 301 778 E: service@gsm.com.au  
[www.gsm.com.au](http://www.gsm.com.au)

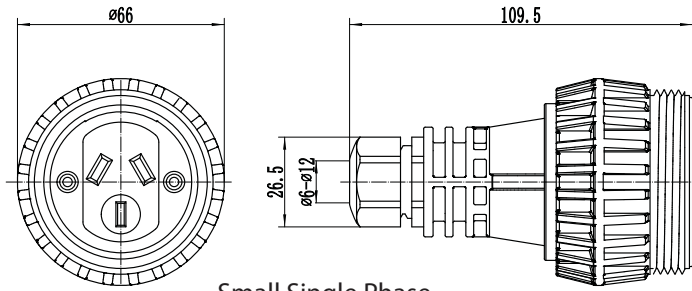


Data Specification Sheet  
August 2021

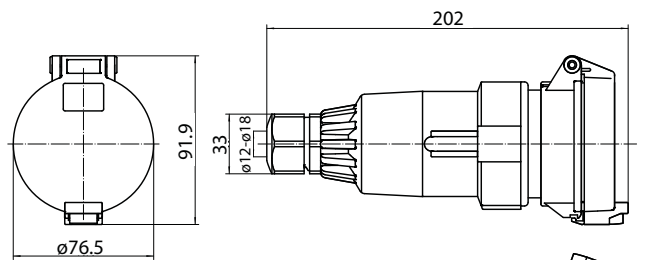
Product Code Cross Reference

OLD CODE	NEW CODE
	<b>BUEXSO310</b>
	<b>BUEXSO315</b>
	<b>BUEXSO320</b>
	<b>BUEXSO332</b>
<b>BUEXPP410OR</b>	<b>BUEXSO410</b>
<b>BUEXPP420OR</b>	<b>BUEXSO420</b>
<b>BUEXPP432OR</b>	<b>BUEXSO432</b>
	<b>BUEXSO440</b>
	<b>BUEXSO450</b>
<b>BUEXPP510OR</b>	<b>BUEXSO510</b>
<b>BUEXPP520OR</b>	<b>BUEXSO520</b>
<b>BUEXPP532OR</b>	<b>BUEXSO532</b>
	<b>BUEXSO540</b>
	<b>BUEXSO550</b>

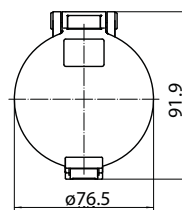
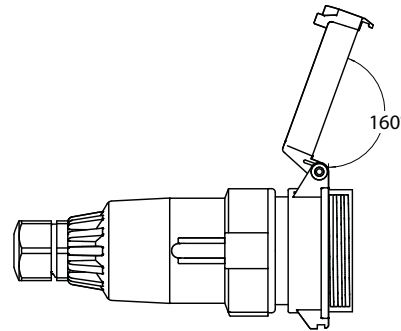
PAGE 2 of 2



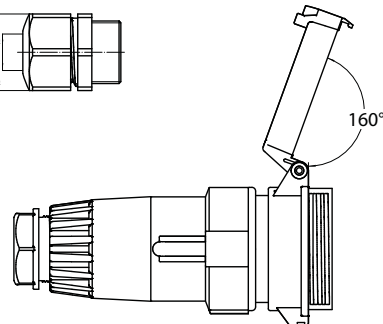
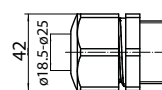
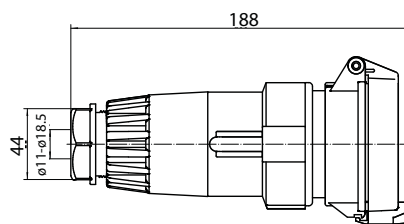
Small Single Phase



Size 1 Single &  
Three Phase



Size 2 Single &  
Three Phase



**Certification Number:**  
TBC

**GSM Electrical (Australia) Pty Ltd**  
Level 2, 142-144 Fullarton Road, Rose Park SA 5067  
P: 1300 301 838 F: 1300 301 778 E: service@gsme.com.au  
[www.gsme.com.au](http://www.gsme.com.au)



Product Code Cross Reference

OLD CODE	NEW CODE
<b>Straight Plug</b>	
	<b>BUP310</b>
	<b>BUP310L</b>
	<b>BUP315</b>
	<b>BUP320</b>
	<b>BUP332</b>
<b>BUP410OR</b>	<b>BUP410</b>
<b>BUP420OR</b>	<b>BUP420</b>
<b>BUP432OR</b>	<b>BUP432</b>
	<b>BUP440</b>
	<b>BUP450</b>
<b>BUP510OR</b>	<b>BUP510</b>
<b>BUP520OR</b>	<b>BUP520</b>
<b>BUP532OR</b>	<b>BUP532</b>
	<b>BUP540</b>
<b>BUP550OR</b>	<b>BUP550</b>
<b>Angled Plug</b>	
	<b>BUPA320</b>
	<b>BUPA332</b>
<b>BUPA410OR</b>	<b>BUPA410</b>
<b>BUPA420OR</b>	<b>BUPA420</b>
<b>BUPA432OR</b>	<b>BUPA432</b>
	<b>BUPA440</b>
	<b>BUPA450</b>
<b>BUPA510OR</b>	<b>BUPA510</b>
<b>BUPA520OR</b>	<b>BUPA520</b>
<b>BUPA532OR</b>	<b>BUPA532</b>
	<b>BUPA540</b>
	<b>BUPA550</b>

## IP66 Straight & Angled Plugs

- Small Single Phase 10A to 15A (250V~)
- Size 1 Single & Three Phase 10A to 20A (250V~ to 500V~)
- Size 2 Single & Three Phase 32A to 50A (250V~ to 500V~)
- 3 Flat Pin, 3 Round Pin, 4 Round Pin, 5 Round Pin.
- 10A, 15A, 20A, 32A, 40A & 50A current ratings.
- Straight body format providing a more traditional design.
- Angled format when space is limited, or to reduce plug & cable protrusion as cable is angled downwards.
- Ribbed Lock ring for secure fitment & gripping with gloved hands.
- Rear cord entry and cable gland ensuring IP66 rating.
- Insulated pins in accordance to AS/NZS3112 (BUP310, BUP315, BUP310L).
- Internal cable clamp to support electrical connections.
- Size 1 Single and Three Phase suits Smaller to Medium Loads.
- Size 2 Single and Three Phase suits Medium to Large loads.
- Small Extension Sockets 10A and 15A accept cables from  $\varnothing$  6 - 12mm
- Size 1 Extension Sockets 10A and 20A accept cables from  $\varnothing$  12 - 18mm
- Size 2 Extension Sockets 32A, 40A and 50A accept cables from  $\varnothing$  11 - 25mm



Pin & Volt	Cat No. Straight Plug	Cat No. Angle Plug	Current Rating (A)	Pin Config	Pin Config Code (Table 1)	Terminal Size (mm dia)	Maximum Conductor Size (mm <sup>2</sup> )	Minimum Cable Diameter (mm <sup>2</sup> )	Maximum Cable Diameter (mm <sup>2</sup> )	Gland Nut Thread (mm)	Matching Socket/Combination
3 Pin 250V~	BUP310	N/A	10	3 Flat	A	3.0	1.5HD	6	12	M20 x 1.5	BUSO310/BUC310
	BUP310L	N/A	10	2 Flat 1 Round	C	3.0	1.5HD	6	12	M20 x 1.5	BUSO310L/BUC310L
	BUP315	N/A	15	3 Flat	B	3.0	1.5HD	6	12	M20 x 1.5	BUSO315/BUC315
	BUP320	BUPA320	20	3 Round	G	4.1	10	12	18	M25 x 1.5	BUSO320/BUC320
	BUP332	BUPA332	32	3 Round	H	4.1	10	11	25	PG29	BUSO332/BUC332
4 Pin 500V~	BUP410	BUPA410	10	4 Round	I	4.1	10	12	18	M25 x 1.5	BUSO410/BUC410
	BUP420	BUPA420	20	4 Round	J	4.1	10	12	18	M25 x 1.5	BUSO420/BUC420
	BUP432	BUPA432	32	4 Round	K	4.1	10	11	25	PG29	BUSO432/BUC432
	BUP440	BUPA440	40	4 Round	L	4.1	10	11	25	M32 x 1.5	BUSO440/BUC440
	BUP450	BUPA450	50	4 Round	M	4.1	10	11	25	M32 x 1.5	BUSO450/BUC450
5 Pin 500V~	BUP510	BUPA510	10	5 Round	N	4.1	10	12	18	M25 x 1.5	BUSO510/BUC510
	BUP520	BUPA520	20	5 Round	O	4.1	10	12	18	M25 x 1.5	BUSO520/BUC520
	BUP532	BUPA532	32	5 Round	P	4.1	10	11	25	PG29	BUSO532/BUC532
	BUP540	BUPA540	40	5 Round	Q	4.1	10	11	25	M32 x 1.5	BUSO540/BUC540
	BUP550	BUPA550	50	5 Round	R	4.1	10	11	25	M32 x 1.5	BUSO550/BUC550

Tables include NEW product codes. Please refer to Old & New Cross Reference Chart for OLD product codes.

All products accept BUEXSO Extension Sockets, BUSO Socket Outlets and BUC Combination Switched Sockets.

**Certification Number:**  
TBC

**GSM Electrical (Australia) Pty Ltd**

Level 2, 142-144 Fullarton Road, Rose Park SA 5067  
P: 1300 301 838 F: 1300 301 778 E: service@gsm.com.au  
[www.gsm.com.au](http://www.gsm.com.au)

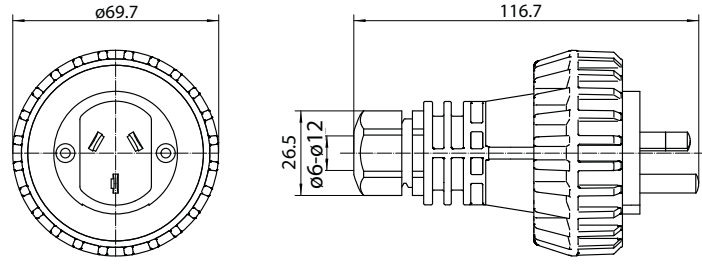


Data Specification Sheet  
August 2021

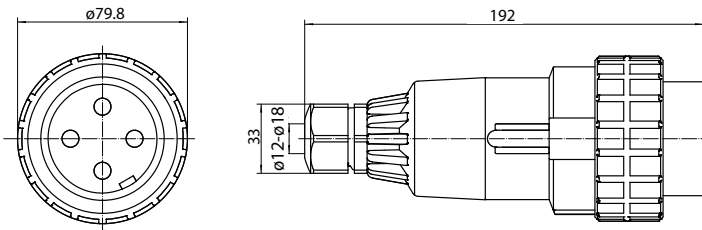


Product Code Cross Reference

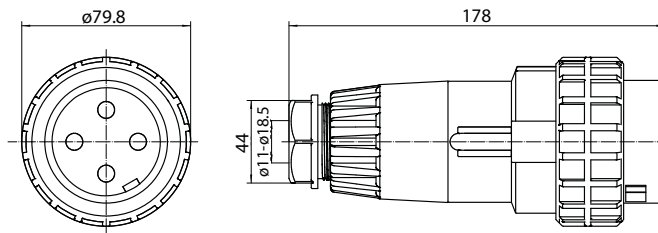
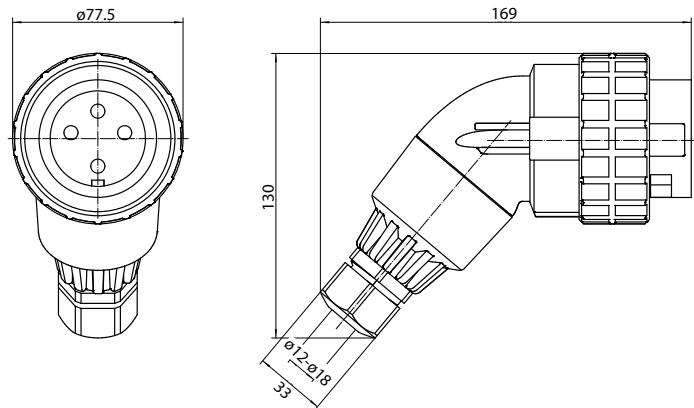
OLD CODE	NEW CODE
<b>Straight Plug</b>	
	<b>BUP310</b>
	<b>BUP310L</b>
	<b>BUP315</b>
	<b>BUP320</b>
	<b>BUP332</b>
<b>BUP410OR</b>	<b>BUP410</b>
<b>BUP420OR</b>	<b>BUP420</b>
<b>BUP432OR</b>	<b>BUP432</b>
	<b>BUP440</b>
	<b>BUP450</b>
<b>BUP510OR</b>	<b>BUP510</b>
<b>BUP520OR</b>	<b>BUP520</b>
<b>BUP532OR</b>	<b>BUP532</b>
	<b>BUP540</b>
<b>BUP550OR</b>	<b>BUP550</b>
<b>Angled Plug</b>	
	<b>BUPA320</b>
	<b>BUPA332</b>
<b>BUPA410OR</b>	<b>BUPA410</b>
<b>BUPA420OR</b>	<b>BUPA420</b>
<b>BUPA432OR</b>	<b>BUPA432</b>
	<b>BUPA440</b>
	<b>BUPA450</b>
<b>BUPA510OR</b>	<b>BUPA510</b>
<b>BUPA520OR</b>	<b>BUPA520</b>
<b>BUPA532OR</b>	<b>BUPA532</b>
	<b>BUPA540</b>
	<b>BUPA550</b>



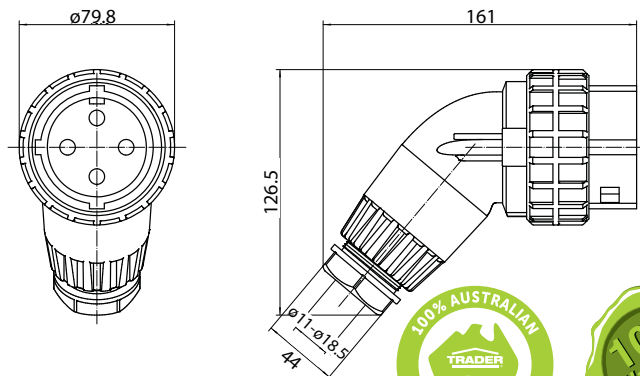
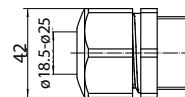
Small Single Phase



Size 1 Single & Three Phase



Size 2 Single & Three Phase



PAGE 2 of 2



**Certification Number:**  
TBC

**GSM Electrical (Australia) Pty Ltd**

Level 2, 142-144 Fullarton Road, Rose Park SA 5067  
P: 1300 301 838 F: 1300 301 778 E: service@gsm.com.au



**BU4DIN**  
**BU4DINLED**

**BU4DINLE**  
**BU4DINLEDLE**

**BU4DINKIT**

## IP66 DIN 4 Pole Enclosures

Buffalo DIN Rail Accessory Mounting Enclosures provide a facility to mount up to 4 poles of equipment such as MCB's and RCDs - external to a switchboard in an environment needing a high level of protection.

As with all Buffalo products, they are manufactured from robust, UV and good chemical resistant material to provide long reliable life in the dust and wet.

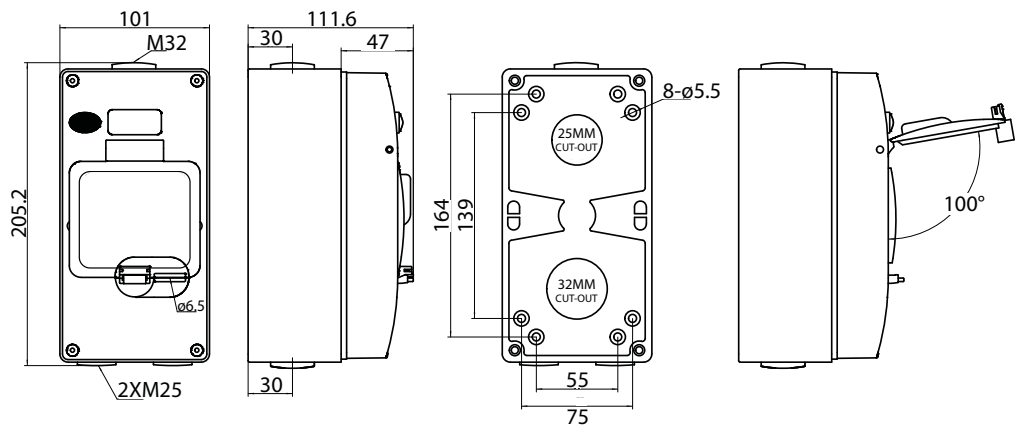
The BU4DINLED features an LED inbuilt into the cover, which has long cables with crimped ends to allow it to be wired for power available into the module - or outgoing power available - depending on the application.

Cable length is suitable for wiring below the DIN rail and can reach easily into the lower section of switch gear installed into the enclosure.



BU4DINKIT

Cat No.	Description	Poles	Enclosure Included	Conduit Entries
BU4DIN	Enclosure DIN 4 Pole	4	BUBB2G	2 x 25mm 1 x 32mm
BU4DINLED	Enclosure DIN 4 Pole with LED	4	BUBB2G	2 x 25mm 1 x 32mm
BU4DINLE	Enclosure DIN 4 Pole, Less Back Box	4	N/A	N/A
BU4DINLEDLE	Enclosure DIN 4 Pole with LED, Less Back Box	4	N/A	N/A
BU4DINKIT	DIN Rail Assembly Kit 4 Pole	4	N/A	N/A



**Certification Number:**  
TBC

**GSM Electrical (Australia) Pty Ltd**  
Level 2, 142-144 Fullarton Road, Rose Park SA 5067  
P: 1300 301 838 F: 1300 301 778 E: service@gsm.com.au



OLD CODE	NEW CODE
	<b>BUBB1GS</b>
<b>BUBB1G32</b>	<b>BUBB1G*</b>
<b>BUBB2G32</b>	<b>BUBB2G*</b>
	<b>BUBB2GS</b>
	<b>BUBB3G</b>
	<b>BUBB4G</b>
	<b>BUBB6G</b>
	<b>BUBBRIDGE</b>

PAGE 1 of 3

\*Supersede the BUBB1G32 and BUBB2G32. Note hole entries of the new BUBB1G and BUBB2G have been altered to have 1x32mm and 2x25mm.

## Enclosures

- Manufactured in industrial grade resins
- PVC Back Boxes and Conduit Plugs.
- Polycarbonate Lids for High Impact Strength.
- UV Resistance.
- Good level of Chemical Resistance.
- Back Boxes and Junction Boxes supplied with Reducers and Screw Caps.
- Compatible with Buffalo previous & current ranges including:
- BUL Lids, BUC Combinations, BUSO Sockets, BUSW Switches & BUAI Appliance Inlets.
- Grey colour.
- Back Boxes 1, 2, 3, 4 & 6 Gang  
Shallow & Standard Boxes in 1 & 2 Gang
- Bridges provided on 2, 3, 4 & 6 Gangs, used for cable management and to aid IP rating.
- Ample Conduit Entries & Cut-Outs.
- Installer tip, cover all mounting screws with supplied mounting screw caps & sealant (not supplied), likewise all conduit entries should be tightened & sealed with sealant.



Cat No.	Description	Height (mm)	Width (mm)	Length (mm)	Conduit Entries	Rear Cut-Outs dia.
BUBB1GS	Enclosure Back Box Shallow 1 Gang	37	101	101	2 x 20mm 1 x 25mm	1 x 20mm 1 x 25mm
BUBB1G	Enclosure Back Box 1 Gang	62	101	101	2 x 25mm 1 x 32mm	1 x 32mm
BUBB2GS	Enclosure Back Box Shallow 2 Gang	38	101	198	2 x 20mm 1 x 25mm	2 x 20mm 2 x 25mm
BUBB2G	Enclosure Back Box 2 Gang	63	101	198	2 x 25mm 1 x 32mm	1 x 25mm 1 x 32mm
BUBB3G	Enclosure Back Box 3 Gang	63	101	298	2 x 25mm 1 x 32mm	2 x 25mm 1 x 32mm
BUBB4G	Enclosure Back Box 4 Gang	63	198	198	2 x 25mm 2 x 32mm	2 x 25mm 1 x 32mm 1 x 40mm
BUBB6G	Enclosure Back Box 6 Gang	63	198	298	2 x 25mm 2 x 32mm	2 x 25mm 2 x 32mm 2 x 40mm
BUBBRIDGE	Bridge for BUBB Back Box Range					





NEW CODE

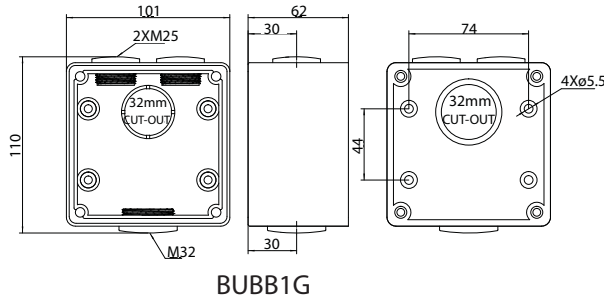
**BUBB1GS**

**BUBB1G**

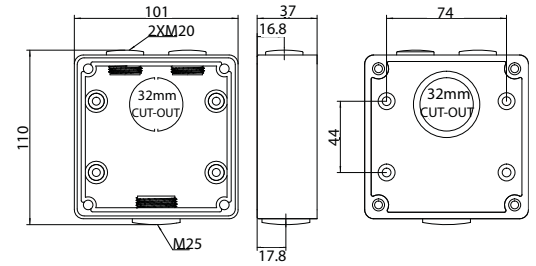
**BUBB2G**

**BUBB2GS**

## Enclosure Dimensions

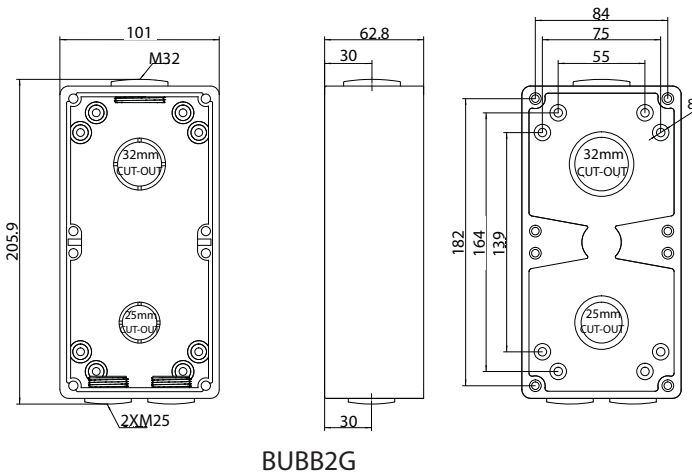


BUBB1G

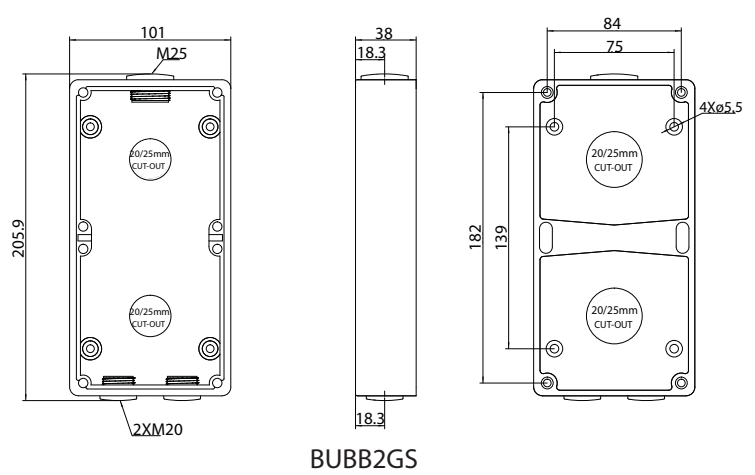


BUBB1GS

PAGE 2 of 3



BUBB2G



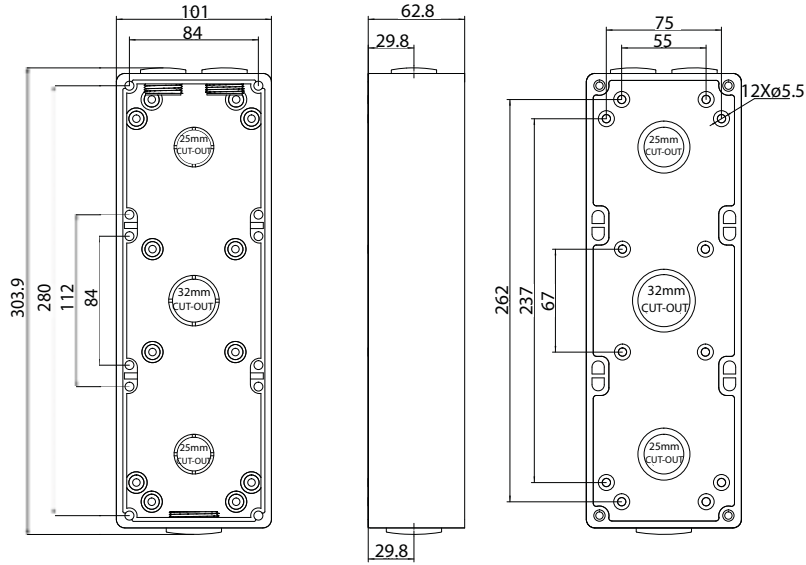
BUBB2GS



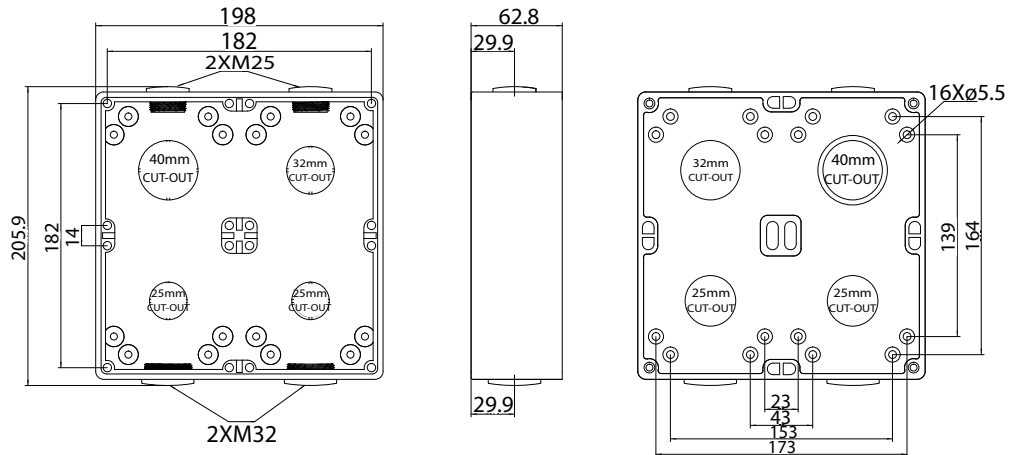
- NEW CODE
- BUBB3G**
- BUBB4G**
- BUBB6G**

## Enclosure Dimensions

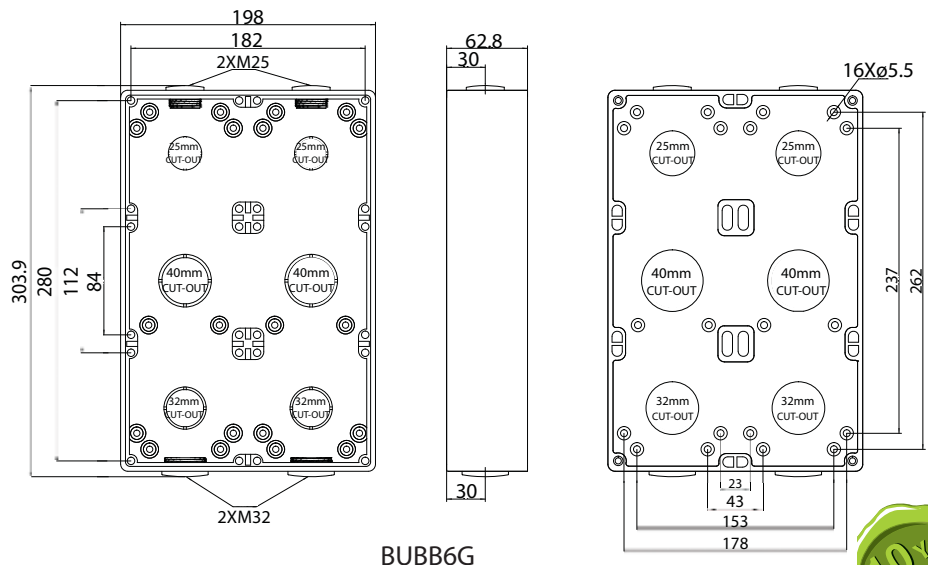
PAGE 3 of 3



BUBB3G



BUBB4G



BUBB6G



**BUL1**  
**BUL2**  
**BUCAP9**

## Enclosure Lids

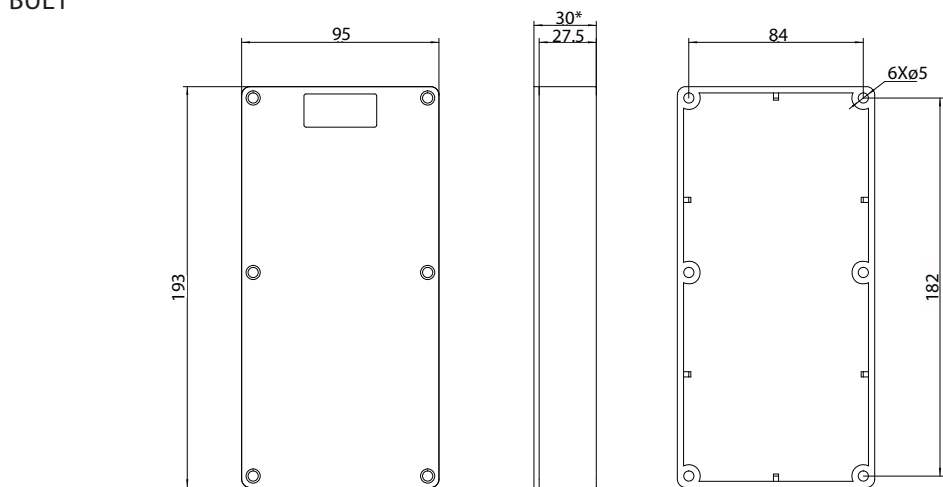
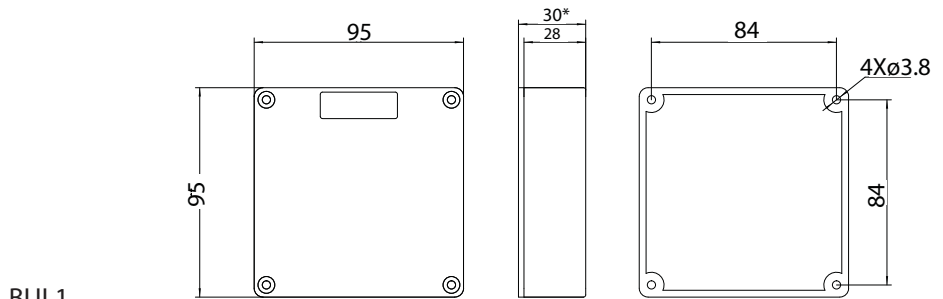
- Manufactured in industrial grade resins providing:
- Polycarbonate Lids for High Impact Strength.
- UV Resistance.
- Good level of Chemical Resistance.
- Compatible with Buffalo previous & current ranges.
- Grey colour.
- Includes sealing gaskets, cover fixing screws and cover screw caps (BUCAP9)
- Installer Tip: Fix cover screws to maximum torque levels of 0.53Nm.



BUCAP9



Cat No.	Description	Height (mm)	Width (mm)	Length (mm)
BUL1	Lid for 1 Gang Enclosures	28	95	95
BUL2	Lid for 2 Gang Enclosures	28	95	193
BUCAP9	Cover Screw Caps Grey			



\*includes gasket



**BUJB1**  
**BUJB2**

**PAGE 1 of 2**

## IP66 Junction Boxes

- Manufactured in industrial grade resins providing:
- Polycarbonate Lids for High Impact Strength.
- UV Resistance.
- Good level of Chemical Resistance.
- Back Boxes & Junction Boxes supplied with Reducers and Screw Caps.
- Compatible with Buffalo previous & current ranges.
- Grey colour.
- Includes 5 connectors (3 Phase, Neutral & Earth).
- Includes cover sealing gasket + fixing screws.
- Includes cover screw caps (BUCAP9).
- Connectors accept 3 x 6mm<sup>2</sup> or 4 x 2.5mm<sup>2</sup> cables.
- Installer Tip: Fix cover screws to maximum torque levels of 0.53Nm.

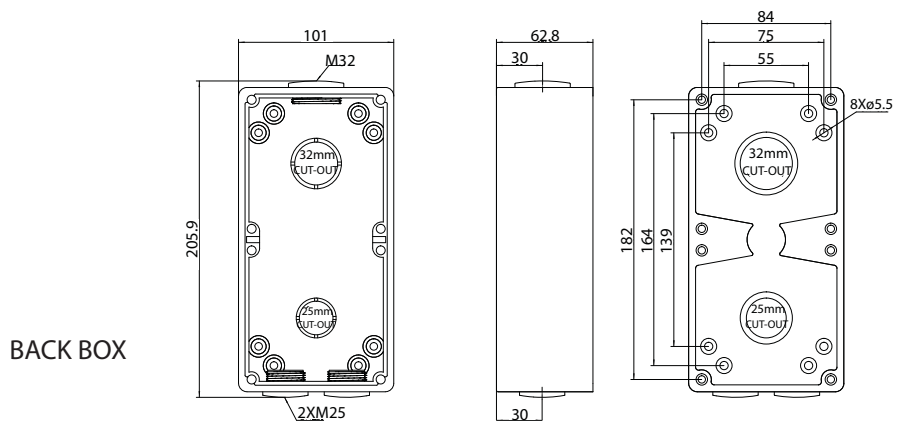
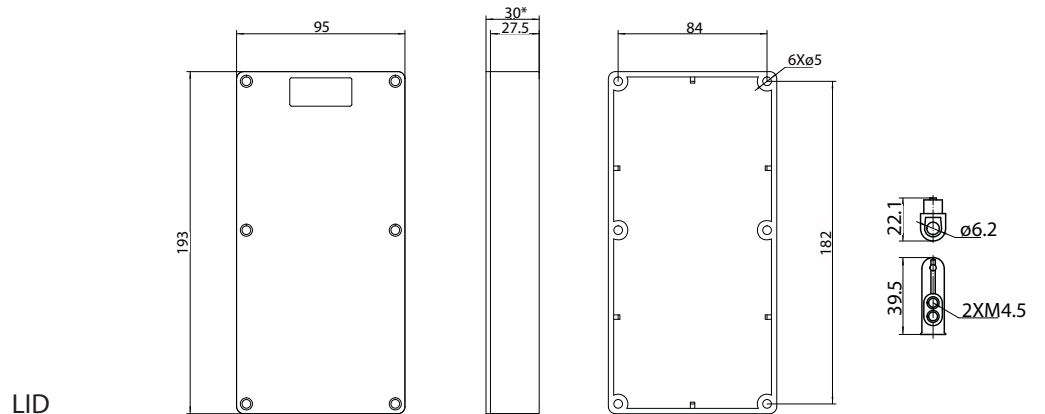
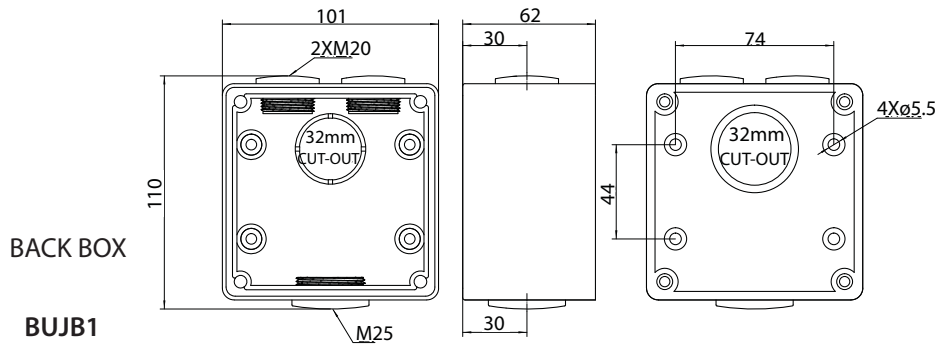
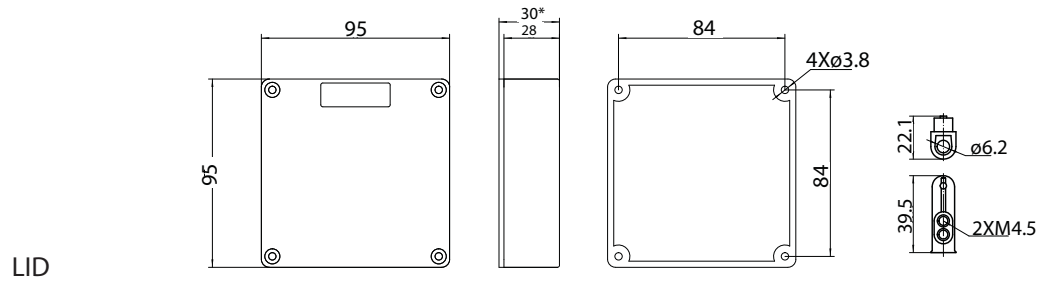


Cat No.	Description	Height (mm)	Width (mm)	Length (mm)	Conduit Entries	Rear Cut-Outs dia.
BUJB1	Junction Box IP66 1 Gang, supplied with connectors	91	101	101	2 x 20mm 1 x 25mm	1 x 32mm
BUJB2	Junction Box IP66 2 Gang, supplied with connectors	91	101	198	2 x 25mm 1 x 32mm	1 x 25mm 1 x 32mm



**BUJB1  
BUJB2**

PAGE 2 of 2



\*includes gasket



**BUAI310**  
**BUAI315**  
**BUAI310LE**  
**BUAI315LE**

## IP66 Appliance Inlets Single Phase Flat Pin (250V~)

The Appliance Inlets physically adapt with the other products in the Buffalo range and offer opportunities to provide power to portable infrastructure in harsh conditions. They utilise the same interchangeable gasket systems to meet IP66 performance.

Available in 10A and 15A flat pin format compliant to AS/NZS3112.

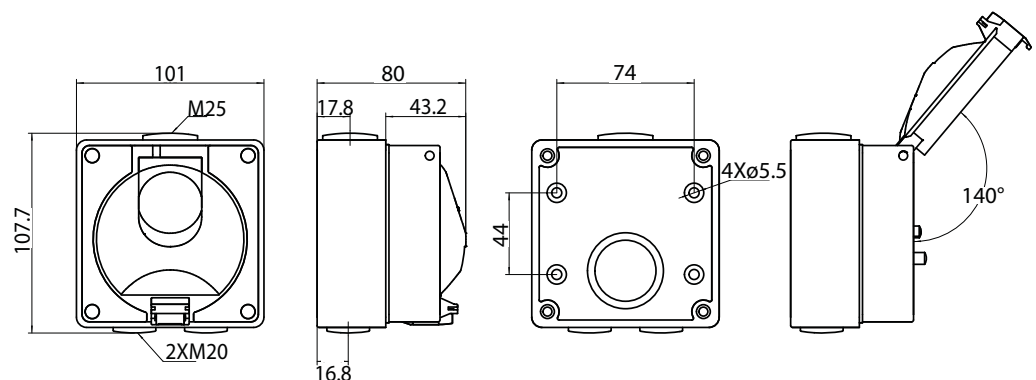
The material of these products varies from others in the range as they are made from UV stabilised polycarbonate. They use the same installation and gasket system as the rest of the Buffalo range and provide suitable IP66 seal when installed.

### Features and Benefits

- 3 flat pins, 10A & 15A
- 1.5mm – 6mm conductor terminal
- Grey polycarbonate construction.
- Insulated Pins.
- Chemical Resistant.
- Transparent Spring loaded flap.
- Compliant to AS/NZS3112.



Cat No.	Description	Height (mm)	Width (mm)	Length (mm)	Conduit Entries	Matching Extension Socket
BUAI310	Appliance Inlet IP66 10A 250V~	80	101	101	2 x 20mm 1 x 25mm	BUEXSO310
BUAI315	Appliance Inlet IP66 15A 250V~	80	101	101	2 x 20mm 1 x 25mm	BUEXSO315
BUAI310LE	Appliance Inlet IP66 10A 250V~, Less Enclosure	43	97	97	N/A	BUEXSO310
BUAI315LE	Appliance Inlet IP66 15A 250V~, Less Enclosure	43	97	97	N/A	BUEXSO315



**Certification Numbers:**  
SAA191208

**GSM Electrical (Australia) Pty Ltd**  
Level 2, 142-144 Fullarton Road, Rose Park SA 5067  
P: 1300 301 838 F: 1300 301 778 E: service@gsm.com.au  
[www.gsm.com.au](http://www.gsm.com.au)



Data Specification Sheet  
August 2021

**BUAI320**  
**BUAI332**  
**BUAI410**  
**BUAI420**  
**BUAI432**  
**BUAI440**  
**BUAI450**  
**BUAI510**  
**BUAI520**  
**BUAI532**  
**BUAI540**  
**BUAI550**

PAGE 1 of 2



## IP66 Appliance Inlets Single & Three Phase Round Pin (250V~ & 500V~)

- Size 1 Single & Three Phase 10A to 20A (250V~ to 500V~).
- Size 2 Single & Three Phase 32A to 50A (250V~ to 500V~).
- 3 Round Pin, 4 Round Pin, 5 Round Pin.
- 10A, 15A, 20A, 32A, 40A & 50A current ratings.
- Two gang design to provide additional wiring space.
- Features downward facing, angled pin housing which enables extension sockets to be neatly connected without bulky right angle entry.
- Suits Small to Large Single or Three phase loads.
- Ribbed Locking Ring to assist gripping with gloved hands and to secure extension sockets.



Cat No.	Description	Dimensions H* x W x D (mm)	Terminal Size (mm dia)	Maximum Conductor Size (mm <sup>2</sup> )	Conduit Entries	Matching Extension Socket
BUAI320	Appliance Inlet IP66 20A 500V~ 3 Pin	183x101x198	4.1	10	2 x 25mm 1 x 32mm	BUEXSO320
BUAI332	Appliance Inlet IP66 32A 500V~ 3 Pin	183x101x198	4.1	10	2 x 25mm 1 x 32mm	BUEXSO332
BUAI410	Appliance Inlet IP66 10A 500V~ 4 Pin	183x101x198	4.1	10	2 x 25mm 1 x 32mm	BUEXSO410
BUAI420	Appliance Inlet IP66 20A 500V~ 4 Pin	183x101x198	4.1	10	2 x 25mm 1 x 32mm	BUEXSO420
BUAI432	Appliance Inlet IP66 32A 500V~ 4 Pin	183x101x198	4.1	10	2 x 25mm 1 x 32mm	BUEXSO432
BUAI440	Appliance Inlet IP66 40A 500V~ 4 Pin	183x101x198	4.1	10	2 x 25mm 1 x 32mm	BUEXSO440
BUAI450	Appliance Inlet IP66 50A 500V~ 4 Pin	183x101x198	4.1	10	2 x 25mm 1 x 32mm	BUEXSO450
BUAI510	Appliance Inlet IP66 10A 500V~ 5 Pin	183x101x198	4.1	10	2 x 25mm 1 x 32mm	BUEXSO510
BUAI520	Appliance Inlet IP66 20A 500V~ 5 Pin	183x101x198	4.1	10	2 x 25mm 1 x 32mm	BUEXSO520
BUAI532	Appliance Inlet IP66 32A 500V~ 5 Pin	183x101x198	4.1	10	2 x 25mm 1 x 32mm	BUEXSO532
BUAI540	Appliance Inlet IP66 40A 500V~ 5 Pin	183x101x198	4.1	10	2 x 25mm 1 x 32mm	BUEXSO540
BUAI550	Appliance Inlet IP66 50A 500V~ 5 Pin	183x101x198	4.1	10	2 x 25mm 1 x 32mm	BUEXSO550

**Certification Numbers:**  
TBC

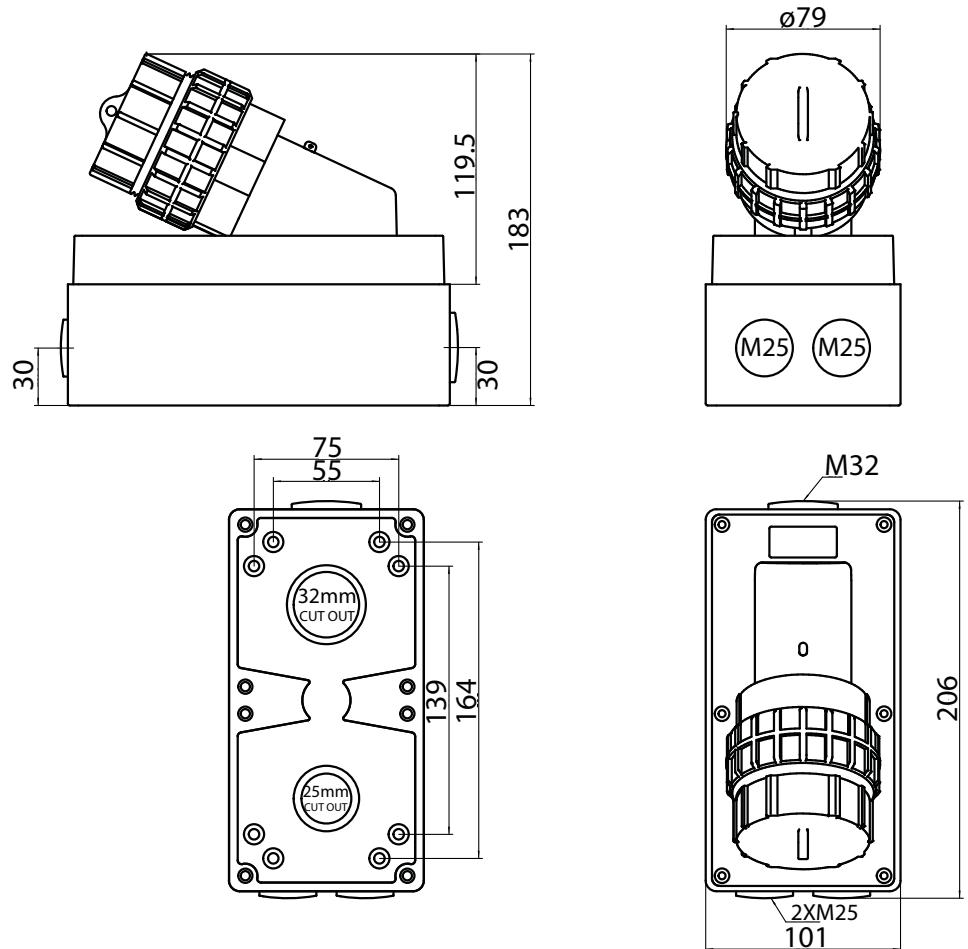
**GSM Electrical (Australia) Pty Ltd**  
 Level 2, 142-144 Fullarton Road, Rose Park SA 5067  
 P: 1300 301 838 F: 1300 301 778 E: service@gsm.com.au  
[www.gsm.com.au](http://www.gsm.com.au)



Data Specification Sheet  
August 2021

- BUAI320
- BUAI332
- BUAI410
- BUAI420
- BUAI432
- BUAI440
- BUAI450
- BUAI510
- BUAI520
- BUAI532
- BUAI540
- BUAI550

## IP66 Appliance Inlets Single & Three Phase Round Pin Dimensional Drawing



PAGE 2 of 2



**Certification Numbers:**  
TBC

**GSM Electrical (Australia) Pty Ltd**  
Level 2, 142-144 Fullarton Road, Rose Park SA 5067  
P: 1300 301 838 F: 1300 301 778 E: service@gsme.com.au  
[www.gsme.com.au](http://www.gsme.com.au)



Data Specification Sheet  
August 2021