

COSWV1G
 COSWV2G
 COSWV3G
 COSWV4G
 COSWV5G
 COSWV6G
 COSW1G
 COSW2G
 COSW3G
 COSW4G
 COSW5G
 COSW6G
 COSWPV1G
 COSWPV2G
 COSWPV3G
 COSWPV4G
 COSWPV5G
 COSWPV6G
 COSWPVXG

*See current catalogue for further detail

Cleaning Guide:

Spraying cleaning products directly on to electrical switches or power points (sockets) is not recommended.

It is important to ensure that switches are turned off before cleaning.

Do not use any cleaning sprays - only wipe down with damp cloth or rub with dry cloth. Do not use an abrasive cloth as it may scratch the plastic.

Do not use harsh chemical cleaners as these can break down the plastic and cause it to crack.

Do not wash the cover plates in water over 60°C.

Cougar Range of Switch Plates

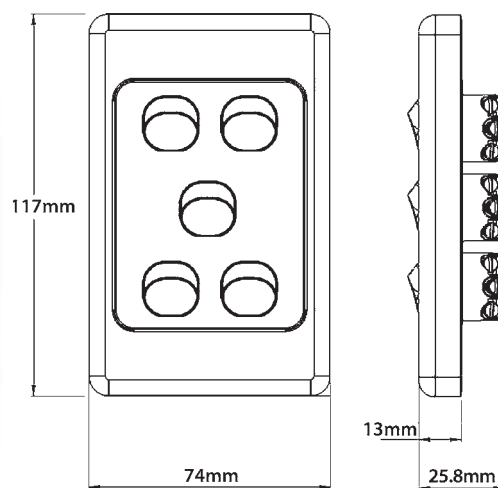
- Switches are rated 10AX/16A 250V~ and approved to AS/NZS3133
- Fits standard Australian wall boxes and mounting accessories that use 84mm mounting centres
- Uses brass tunnel terminals that have the screws backed out for easier installation of cabling - Switches are two way with looping terminal and suit 3 x 1.5mm² cabling - 4.1mm terminal bores
- Combination head screws for the terminals
- Covers, plates and dollies are made from UV stabilised polycarbonate to avoid discolouring to yellow
- The clip in switch mechanism is able to be used and clip into other Trader and competitor switch plate ranges
- Motor rating M100
- Standard colour is white
- Plates suit Trader Meerkat MESW mechs, including TV and Data; and Clipsal 30 Style* mechs and accessories
- Typical example of size seen in diagram:



Example of cover plate only / grid and plate only (less mech)



Example of cover plate with MERJ6CM data mech installed



Catalogue No.	Description
COSWV1G	Switch Vertical 1 Gang, 10AX/16A 250V~
COSWV2G	Switch Vertical 2 Gang, 10AX/16A 250V~
COSWV3G	Switch Vertical 3 Gang, 10AX/16A 250V~
COSWV4G	Switch Vertical 4 Gang, 10AX/16A 250V~
COSWV5G	Switch Vertical 5 Gang, 10AX/16A 250V~
COSWV6G	Switch Vertical 6 Gang, 10AX/16A 250V~
COSW1G	Switch Horizontal 1 Gang, 10AX/16A 250V~
COSW2G	Switch Horizontal 2 Gang, 10AX/16A 250V~
COSW3G	Switch Horizontal 3 Gang, 10AX/16A 250V~
COSW4G	Switch Horizontal 4 Gang, 10AX/16A 250V~
COSW5G	Switch Horizontal 5 Gang, 10AX/16A 250V~
COSW6G	Switch Horizontal 6 Gang, 10AX/16A 250V~

Horizontals available by request

Catalogue No.	Description
COSWPV1G	Switch Plate Vertical 1 Gang (Less Mech)
COSWPV2G	Switch Plate Vertical 2 Gang (Less Mech)
COSWPV3G	Switch Plate Vertical 3 Gang (Less Mech)
COSWPV4G	Switch Plate Vertical 4 Gang (Less Mech)
COSWPV5G	Switch Plate Vertical 5 Gang (Less Mech)
COSWPV6G	Switch Plate Vertical 6 Gang (Less Mech)
COSWPVXG	Blank plate with clip on surround

The above catalogue numbers where "P" appears in number, refers to Cover Plate Only / Grid and Plate only (less mech)

* The Clipsal brand and associated products are Trademarks of Schneider Electric (Australia) Pty Ltd.

GSM Electrical (Australia) Pty Ltd, the TRADER brand and it's products, have no endorsement or affiliation with Schneider Electric Pty Ltd.



MEERKAT Switch Mechanisms are used for all switch plates. Please refer to Meerkat Mech Matrix for range compatibility.

Certification Number:
 COSWV1G-COSWV6G: GMA-103194-EA-011

GSM Electrical (Australia) Pty Ltd
 Level 2, 142-144 Fullarton Road, Rose Park SA 5067
 P: 1300 301 838 F: 1300 301 778 E: service@gsme.com.au
www.gsme.com.au



Data Specification Sheet
 May 2019

