

**CHBIG4MB
CHBIG5MB**

*See current catalogue for further detail

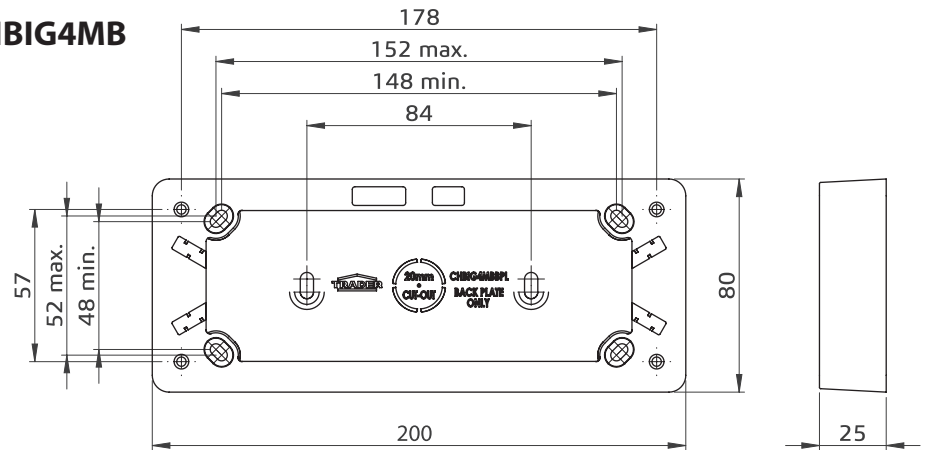


Cheetah BIG4 and BIG5 Mounting Blocks

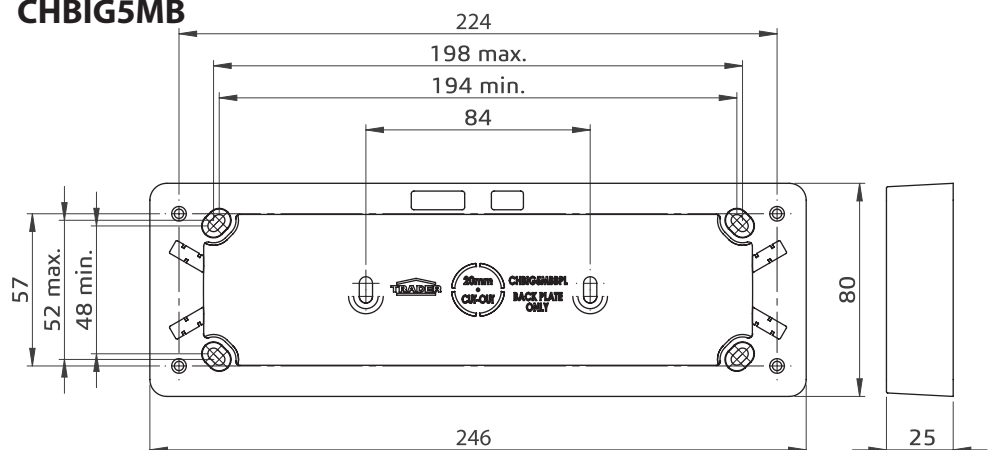
CHBIG4MB and CHBIG5MB Mounting Blocks Also suitable for PUBIG4 and PUBIG5 PUMA Product

- 25mm high mounting block also suit CHBIG4 and CHBIG5.
- Made from UV stabilised polycarbonate to avoid discolouring to yellow.
- BIG4 Mounting blocks include backing plates for situations where fully enclosed insulation is required.
- BIG5 Mounting blocks include backing plates for situations where fully enclosed insulation is required.

CHBIG4MB



CHBIG5MB



Cleaning Guide:

Spraying cleaning products on to electrical products is not recommended.

It is important to ensure that switches are turned off before cleaning.

Do not use any cleaning sprays - only wipe down with damp cloth or rub with dry cloth. (Do not use an abrasive cloth as it may scratch the plastic).

Do not use harsh chemical cleaners as these can break down the plastic and cause it to crack.

Do not wash the cover plates in water over 60°C.



GSM Electrical (Australia) Pty Ltd

Level 2, 142-144 Fullarton Road, Rose Park SA 5067

P: 1300 301 838 F: 1300 301 778 E: service@gsm.com.au

www.gsm.com.au



Data Specification Sheet
February 2021