

BUSW110*
BUSW120*
BUSW132*
BUSW210
BUSW220
BUSW232
BUSW310
BUSW320
BUSW332
BUSW350^
BUSW363

BUSW110LE*
BUSW120LE*
BUSW132LE*
BUSW210LE
BUSW220LE
BUSW232LE
BUSW310LE
BUSW320LE
BUSW332LE
BUSW350LE^
BUSW363LE

PAGE 1 of 2

* Products being phased out and being superseded by 2 pole versions.

^BUSW350 Series to be phased out, alternative is BUSW363 Series.



IP66 Heavy Duty Switches

The same heavy duty switches used in our Combinations are available as individual switches for isolation and control applications.



- Heavy Duty terminals, with Double Pole switching option as standard on 3 pin products.
- Switch supplied with a large, easy to use knob, suitable for use with heavy industrial gloves. Has a positive, rotary action.
- Switch Knob features two Oval Shape (11 x 9mm) lock off facilities.
- Conduit plugs provided with rubber gaskets to assist IP rating and to aid secure fitment.
- Raised ON/OFF marking to allow visibility in dusty environments.
- Laser etched product marking (no adhesive labels that fall off).
- LED Drill out facility for LED indicators (not supplied).
- Approved to AS/NZS3133 (10A - 20A), AS 60947-3 (Over 32A).
- Range includes Single*, Double, and Three Pole, in amperages from 10A up to 63A. See the table for product detail.

Pole & Volt	Cat No.	Current Rating (Nominal) (A)	AC21 Rating (A)	AC23 Rating (A)	M Rating	Minimum Conductor Size (mm ²)	Maximum Conductor Size (mm ²)
1 Pole 250V~	BUSW110*	10	10	-	-	1.5	6
	BUSW120*	20	20	-	-	2.5	16
	BUSW132*	32	32	-	-	6	16
2 Pole 500V~	BUSW210	10	10	-	100	2.5	16
	BUSW220	20	20	20	150	2.5	16
	BUSW232	32	32	25	-	2.5	16
3 Pole 500V~	BUSW310	10	10	-	100	2.5	16
	BUSW320	20	20	-	150	2.5	16
	BUSW332	32	32	25	-	6	16
	BUSW350^	50	50	25	-	10	25
	BUSW363	63	63	25	-	10	25

When ordering LESS ENCLOSURE add "LE" at end of catalogue number, ie "BUSW210LE"

Certification Number:

BUSW110, BUSW210, BUSW120, BUSW220,
BUSW310, BUSW320: SAA-212017-EA
BUSW232, BUSW332, BUSW340, BUSW350, BUSW363: SAA212342

GSM Electrical (Australia) Pty Ltd

Level 2, 142-144 Fullarton Road, Rose Park SA 5067
P: 1300 301 838 F: 1300 301 778 E: service@gsm.com.au
www.gsm.com.au



BUSW110*
BUSW120*
BUSW132*
BUSW210
BUSW220
BUSW232
BUSW310
BUSW320
BUSW332
BUSW350^
BUSW363

BUSW110LE*
BUSW120LE*
BUSW132LE*
BUSW210LE
BUSW220LE
BUSW232LE
BUSW310LE
BUSW320LE
BUSW332LE
BUSW350LE^
BUSW363LE

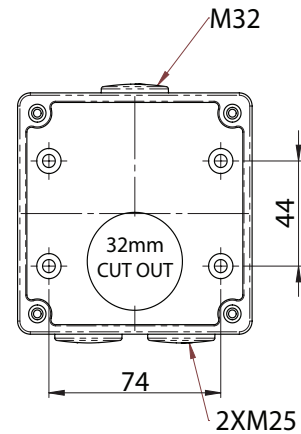
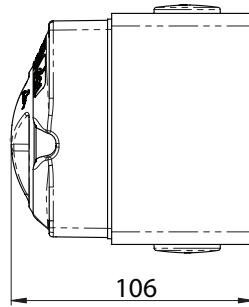
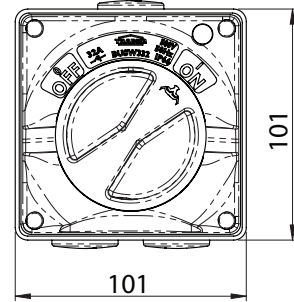
PAGE 2 of 2

* Products being phased out and being superseded by 2 pole versions.

^BUSW350 Series to be phased out, alternative is BUSW363 Series.



Heavy Duty Switches Dimensional Drawings



Heavy Duty Switch Terminals



2 Pole



3 Pole

GSM Electrical (Australia) Pty Ltd

Level 2, 142-144 Fullarton Road, Rose Park SA 5067
P: 1300 301 838 F: 1300 301 778 E: service@gsme.com.au
www.gsme.com.au



Data Specification Sheet
December 2021