

**CHLEPP2USB2G**  
**CHLEPP2USB2GBK**

\*See current catalogue for further detail



**Cleaning Guide:**

Spraying cleaning products on to electrical products is not recommended.

It is important to ensure that switches are turned off before cleaning.

Do not use any cleaning sprays - only wipe down with damp cloth or rub with dry cloth. (Do not use an abrasive cloth as it may scratch the plastic).

Do not use harsh chemical cleaners as these can break down the plastic and cause it to crack.

Do not wash the cover plates in water over 60°C.

**Cheetah & Leopard USB Ranges**  
**ONE SOCKET TWO COVERS**

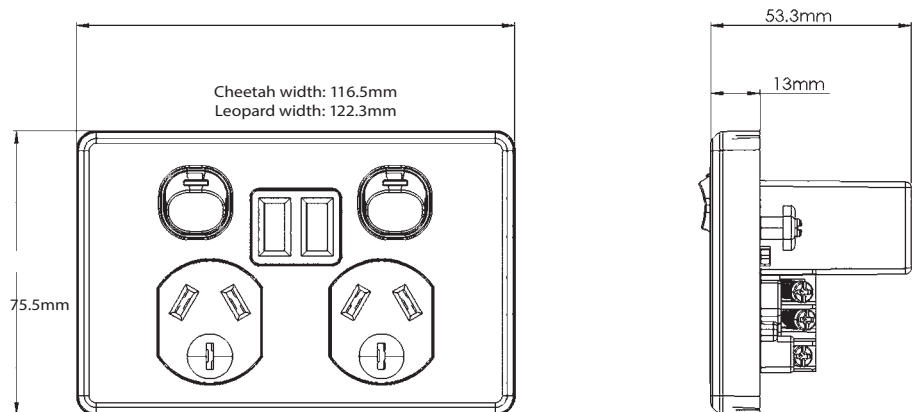
**CHEETAH**  **LEOPARD** 

**Suitable for BOTH Cheetah & Leopard Ranges**  
**Both Cheetah & Leopard covers included in the same pack**

*[For some wholesalers it will be found on your system as either CHPP2USB2G or LEPP2USB2G - pointed to CHLEPP2USB2G]*

**CHLEPP2USB2G**

- Power Point Switched 2 Gang, 10A 250V~ and 2 integrated Type A USBs.
- The rating for the USB is 3.4A at 5V when one device is inserted then it divides to split the output when a device is inserted in each USB socket.
- Fits standard wall boxes and mounting accessories.
- Covers, plates and dollies are made from UV stabilised polycarbonate to avoid discolouring to yellow.
- Standard colour is white. Black also stocked - please check availability.
- Uses brass tunnel terminals that have the screws backed out for easier installation of cabling. Power point terminals have 6mm bore to suit 4 x 2.5mm<sup>2</sup> cable.
- USB outlet approved to AS/NZS 60950.1
- Electrical power point approved to AS/NZS 3112
- The size of the covers are:



Catalogue Number	Description
CHLEPP2USB2G	Power Point Switched 2 Gang, 10A 250V~ and 2 USBs
CHLEPP2USB2GBK	Power Point Switched 2 Gang, 10A 250V~ and 2 USBs Black



**Certification Number:**  
CHLEPP2USB2G: GMA-508273-EA

**GSM Electrical (Australia) Pty Ltd**  
Level 2, 142-144 Fullarton Road, Rose Park SA 5067  
P: 1300 301 838 F: 1300 301 778 E: service@g sme.com.au  
[www.g sme.com.au](http://www.g sme.com.au)



**CHPP1G**  
**CHPP151G**  
**CHPP201G**  
**CHPPSW1G**

\*See current catalogue for further detail

**Cleaning Guide:**

Spraying cleaning products on to electrical products is not recommended.

It is important to ensure that switches are turned off before cleaning.

Do not use any cleaning sprays - only wipe down with damp cloth or rub with dry cloth. (Do not use an abrasive cloth as it may scratch the plastic).

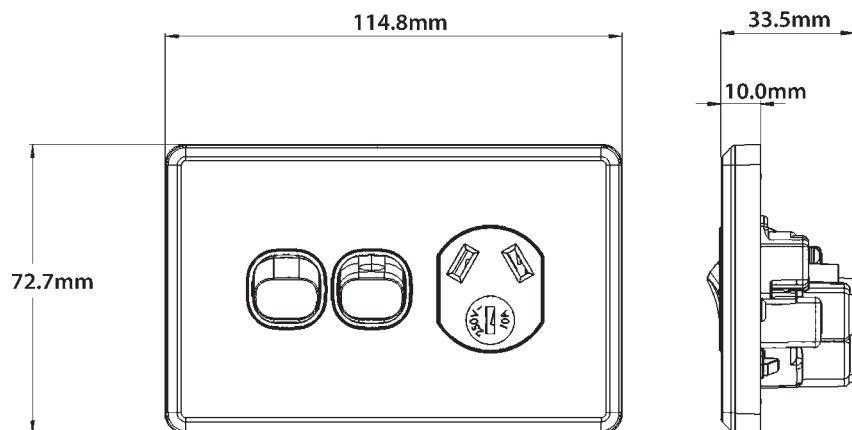
Do not use harsh chemical cleaners as these can break down the plastic and cause it to crack.

Do not wash the cover plates in water over 60°C.



## Cheetah Range of Single Power Points

- Current rating options 10A, 15A or 20A. 10A version has extra removable switch option.
- Fits standard Australian wall boxes and mounting accessories that use 84mm mounting centres.
- Uses brass tunnel terminals that have the screws backed out for easier installation of cabling. Power point terminals have 6mm bore to suit 4 x 2.5mm<sup>2</sup> cable. Switch terminals have 4.1mm bore to suit 4 x 1.5mm<sup>2</sup>.
- Combination head screws for the socket terminals.
- Uses 'Cat Flap' screw covers for IP rating of mounting screws.
- Dolly indicator colour green.
- Covers, plates and dollies are made from UV stabilised polycarbonate to avoid discolouring to yellow.
- Colour: White.
- Switches approved to AS/NZS3133
- Socket outlets approved to AS/NZS3112
- Typical example of size seen below:



Catalogue Number	Description
CHPP1G	Power Point Switched 1 Gang, 10A 250V~
CHPP151G	Power Point Switched 1 Gang, 15A 250V~
CHPP201G	Power Point Switched 1 Gang, 20A 250V~
CHPPSW1G	Power Point Switched 1 Gang, 10A 250V~ with Extra Switch 16AX/20A

**Certification Number:**

CHPP1G, CHPP151G, CHPPSW1G GMA-500349-EA  
CHPP201G: GMA-103194-EA-021

**GSM Electrical (Australia) Pty Ltd**

Level 2, 142-144 Fullarton Road, Rose Park SA 5067  
P: 1300 301 838 F: 1300 301 778 E: service@gsm.com.au  
[www.gsm.com.au](http://www.gsm.com.au)



**CHPP2G**  
**CHPP152G**  
**CHPPSW2G**

\*See current catalogue for further detail

**Cleaning Guide:**

Spraying cleaning products on to electrical products is not recommended. It is important to ensure that switches are turned off before cleaning.

Do not use any cleaning sprays - only wipe down with damp cloth or rub with dry cloth. (Do not use an abrasive cloth as it may scratch the plastic).

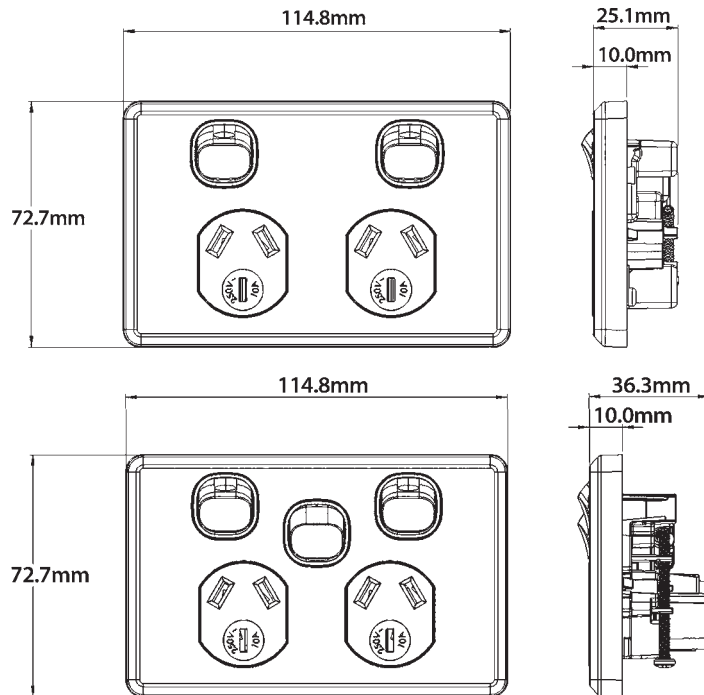
Do not use harsh chemical cleaners as these can break down the plastic and cause it to crack.

Do not wash the cover plates in water over 60°C.



## Cheetah Range of Double Power Points

- Current rating options 10A or 20A. 10A version has extra removable switch option.
- Fits standard Australian wall boxes and mounting accessories that use 84mm mounting centres
- Uses brass tunnel terminals that have the screws backed out for easier installation of cabling. Power point terminals have 6mm bore to suit 4 x 2.5mm<sup>2</sup> cable. Switch terminals have 4.1mm bore to suit 4 x 1.5mm<sup>2</sup>
- Combination head screws for the socket terminals
- Uses 'Cat Flap' screw covers for IP rating of mounting screws
- Dolly indicator colour green
- Covers, plates and dollies are made from UV stabilised polycarbonate to avoid discolouring to yellow
- Colour: White
- Switches approved to AS/NZS3133
- Socket outlets approved to AS/NZS3112
- Typical example of size seen below:



Catalogue Number	Description
CHPP2G	Power Point Switched 2 Gang, 10A 250V~
CHPP152G	Power Point Switched 2 Gang, 15A 250V~
CHPPSW2G	Power Point Switched 2 Gang, 10A 250V~ with Extra Switch, 16AX/20A

**Certification Number:**

CHPP2G / CHPP152G: GMA-500349-EA  
 CHPPSW2G: GMA-500348-EA

**GSM Electrical (Australia) Pty Ltd**

Level 2, 142-144 Fullarton Road, Rose Park SA 5067  
 P: 1300 301 838 F: 1300 301 778 E: service@gsm.com.au  
[www.gsm.com.au](http://www.gsm.com.au)



**Vertical Switches**

- CHSWV1G
- CHSWV2G
- CHSWV3G
- CHSWV4G
- CHSWV5G
- CHSWV6G

**Horizontal Switches**

- CHSW1G
- CHSW2G
- CHSW3G
- CHSW4G
- CHSW5G
- CHSW6G

**Switch Plates (Less Mechs)**

- CHSWPV1G
- CHSWPV2G
- CHSWPV3G
- CHSWPV4G
- CHSWPV5G
- CHSWPV6G
- CHSWPVXG

\*See current catalogue for further detail

Note: MESWC (previously LESWM) switch mechanism used in conjunction with Snow Leopard, Leopard and Cheetah plates

**Cleaning Guide:**

Spraying cleaning products on to electrical products is not recommended.

It is important to ensure that switches are turned off before cleaning.

Do not use any cleaning sprays - only wipe down with damp cloth or rub with dry cloth. (Do not use an abrasive cloth as it may scratch the plastic).

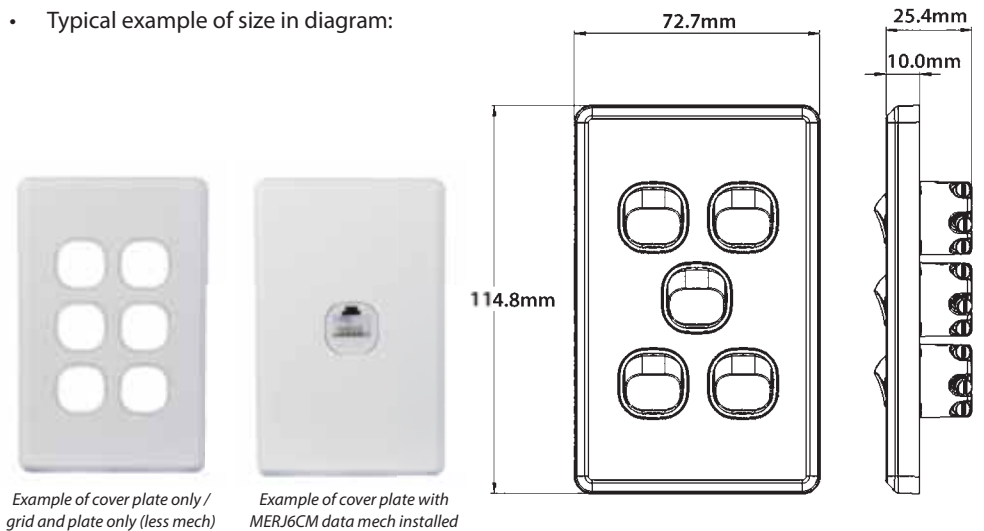
Do not use harsh chemical cleaners as these can break down the plastic and cause it to crack.

Do not wash the cover plates in water over 60°C.



# Cheetah Range of Switch Plates

- Switches are rated 16AX/20A 250V~
- Switches and Switch plates available from 1 to 6 gang.
- Fits standard Australian wall boxes and mounting accessories that use 84mm mounting centres.
- Uses brass tunnel terminals that have the screws backed out for easier installation of cabling. Switches are two way with looping terminal and suit 4 x 1.5mm<sup>2</sup> cabling with 4.1 bore
- Slotted head screws for the terminals.
- Covers, plates and dollies are made from UV stabilised polycarbonate to avoid discolouring to yellow.
- Colour: White.
- Plates suit Trader Meerkat MESWC mechs, including TV and Data; and Clipsal 30 Style\* mechs and accessories.
- Approved to AS/NZS60669-1
- Typical example of size in diagram:



Catalogue No.	Description
<b>Vertical Switches</b>	
CHSWV1G	Switch Vertical 1 Gang, 16AX/20A 250V~
CHSWV2G	Switch Vertical 2 Gang, 16AX/20A 250V~
CHSWV3G	Switch Vertical 3 Gang, 16AX/20A 250V~
CHSWV4G	Switch Vertical 4 Gang, 16AX/20A 250V~
CHSWV5G	Switch Vertical 5 Gang, 16AX/20A 250V~
CHSWV6G	Switch Vertical 6 Gang, 16AX/20A 250V~
<b>Horizontal Switches</b>	
CHSW1G	Switch Horizontal 1 Gang, 16AX/20A 250V~
CHSW2G	Switch Horizontal 2 Gang, 16AX/20A 250V~
CHSW3G	Switch Horizontal 3 Gang, 16AX/20A 250V~
CHSW4G	Switch Horizontal 4 Gang, 16AX/20A 250V~
CHSW5G	Switch Horizontal 5 Gang, 16AX/20A 250V~
CHSW6G	Switch Horizontal 6 Gang, 16AX/20A 250V~

Catalogue No.	Description
<b>Switch Plates (Less Mechs)</b>	
CHSWPV1G	Switch Plate 1 Gang (Less Mech)
CHSWPV2G	Switch Plate 2 Gang (Less Mech)
CHSWPV3G	Switch Plate 3 Gang (Less Mech)
CHSWPV4G	Switch Plate 4 Gang (Less Mech)
CHSWPV5G	Switch Plate 5 Gang (Less Mech)
CHSWPV6G	Switch Plate 6 Gang (Less Mech)
CHSWPVXG	Blank plate with clip on surround

The above catalogue numbers where "P" appears in number, refers to Cover Plate Only / Grid and Plate only (less mech)

\*The Clipsal brand and associated products are Trademarks of Schneider Electric (Australia) Pty Ltd.

GSM Electrical (Australia) Pty Ltd, the TRADER brand and it's products, have no endorsement or affiliation with Schneider Electric Pty Ltd.

Horizontals available by request



**MEERKAT Switch Mechanisms** are used for all switch plates. Please refer to Meerkat Mech Matrix for range compatibility.

**Certification Number:**  
GMA-507879-EA

**GSM Electrical (Australia) Pty Ltd**  
Level 2, 142-144 Fullarton Road, Rose Park SA 5067  
P: 1300 301 838 F: 1300 301 778 E: service@gsme.com.au  
[www.gsme.com.au](http://www.gsme.com.au)



**CHSWVA1G**  
**CHSWVA2G**  
**CHSWVA3G**

\*See current catalogue for further detail

**Cleaning Guide:**

Spraying cleaning products on to electrical products is not recommended.

It is important to ensure that switches are turned off before cleaning.

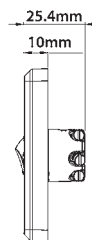
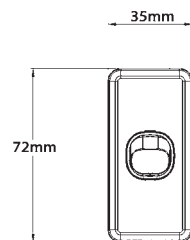
Do not use any cleaning sprays - only wipe down with damp cloth or rub with dry cloth. (Do not use an abrasive cloth as it may scratch the plastic).

Do not use harsh chemical cleaners as these can break down the plastic and cause it to crack.

Do not wash the cover plates in water over 60°C.

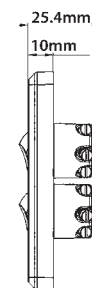
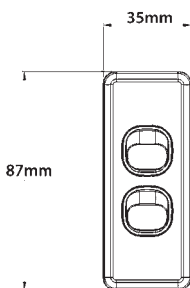
## Cheetah Range of Architrave Switches

- Switches are rated 16AX/20A 250V~
- Available in 1, 2 & 3 gang format.
- Uses brass tunnel terminals that have the screws backed out for easier installation of cabling. Switches are two way with looping terminal and suit 4 x 1.5mm<sup>2</sup> cabling with 4.1mm bore.
- Slotted head screws for the terminals
- Covers, plates and dollies are made from UV stabilised polycarbonate to avoid discolouring to yellow.
- Colour: White.
- Approved to AS/NZS60669-1
- Typical example of size seen below:



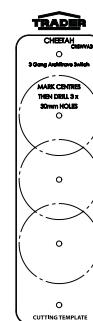
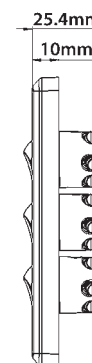
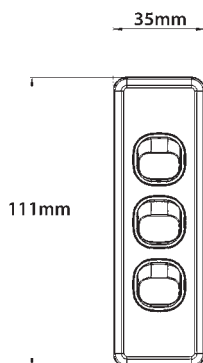
example of cutting template supplied

**CHSWVA1G**



example of cutting template supplied

**CHSWVA2G**



example of cutting template supplied

**CHSWVA3G**

Catalogue Number	Description
CHSWVA1G	Switch Vertical Architrave 1 Gang, 16AX/20A 250V~
CHSWVA2G	Switch Vertical Architrave 2 Gang, 16AX/20A 250V~
CHSWVA3G	Switch Vertical Architrave 3 Gang, 16AX/20A 250V~



**MEERKAT Switch Mechanisms** are used for all switch plates. Please refer to Meerkat Mech Matrix for range compatibility.

**Certification Number:**  
GMA-507879-EA

**GSM Electrical (Australia) Pty Ltd**  
Level 2, 142-144 Fullarton Road, Rose Park SA 5067  
P: 1300 301 838 F: 1300 301 778 E: service@g sme.com.au  
[www.g sme.com.au](http://www.g sme.com.au)



Data Specification Sheet  
February 2021



## CHBIG4 CHBIG5

\*See current catalogue for further detail

### Cleaning Guide:

Spraying cleaning products on to electrical products is not recommended.

It is important to ensure that switches are turned off before cleaning.

Do not use any cleaning sprays - only wipe down with damp cloth or rub with dry cloth. (Do not use an abrasive cloth as it may scratch the plastic).

Do not use harsh chemical cleaners as these can break down the plastic and cause it to crack.

Do not wash the cover plates in water over 60°C.

# Cheetah BIG4 and BIG5 Power Points

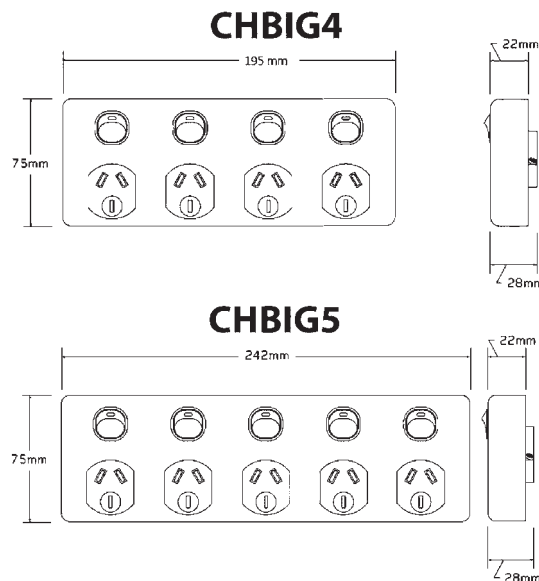
CHBIG4 and CHBIG5  
DOUBLE POLE

### CHBIG4

- Double pole surface mounted switched 4 Gang Power Point.
- 10A at 250V~
- Diameter 6mm terminal bores to suit 4 x 2.5 mm<sup>2</sup> cables.
- Fits 84 mm mounting centres.
- Dolly indicator colour green.
- Covers, plates and dollies made from UV stabilised polycarbonate to avoid discolouring to yellow.
- Colour: White.
- Approved to AS/NZS3112.

### CHBIG5

- Double pole surface mounted switched 5 Gang Power Point.
- 10A at 250V~
- Diameter 6mm terminal bores to suit 4 x 2.5 mm<sup>2</sup> cables.
- Fits 84 mm mounting centres.
- Dolly indicator colour green.
- Covers, plates and dollies made from UV stabilised polycarbonate to avoid discolouring to yellow.
- Approved to AS/NZS3112.
- **The BIG5 uses the same features and mounting system as the BIG4, but has the additional switched socket for convenience.**



### CHBIG4MB and CHBIG5MB Mounting Blocks

(Separate Data Sheet available with measurements details)

- 25mm high mounting block to suit CHBIG4 and CHBIG5
- Made from UV stabilised polycarbonate to avoid discolouring to yellow
- BIG4 Mounting blocks include backing plates for situations where fully enclosed insulation is required.
- BIG5 Mounting blocks include backing plates for situations where fully enclosed insulation is required.



**Certification Number:**  
GMA-507804-EA

**GSM Electrical (Australia) Pty Ltd**  
Level 2, 142-144 Fullarton Road, Rose Park SA 5067  
P: 1300 301 838 F: 1300 301 778 E: service@g sme.com.au  
[www.g sme.com.au](http://www.g sme.com.au)



Data Specification Sheet  
February 2021

**CHBIG4MB  
CHBIG5MB**

\*See current catalogue for further detail



**Cheetah BIG4 and BIG5  
Mounting Blocks**

**CHBIG4MB and CHBIG5MB Mounting Blocks  
Also suitable for PUBIG4 and PUBIG5 PUMA Product**

- 25mm high mounting block also suit CHBIG4 and CHBIG5.
- Made from UV stabilised polycarbonate to avoid discolouring to yellow.
- BIG4 Mounting blocks include backing plates for situations where fully enclosed insulation is required.
- BIG5 Mounting blocks include backing plates for situations where fully enclosed insulation is required.

**Cleaning Guide:**

Spraying cleaning products on to electrical products is not recommended.

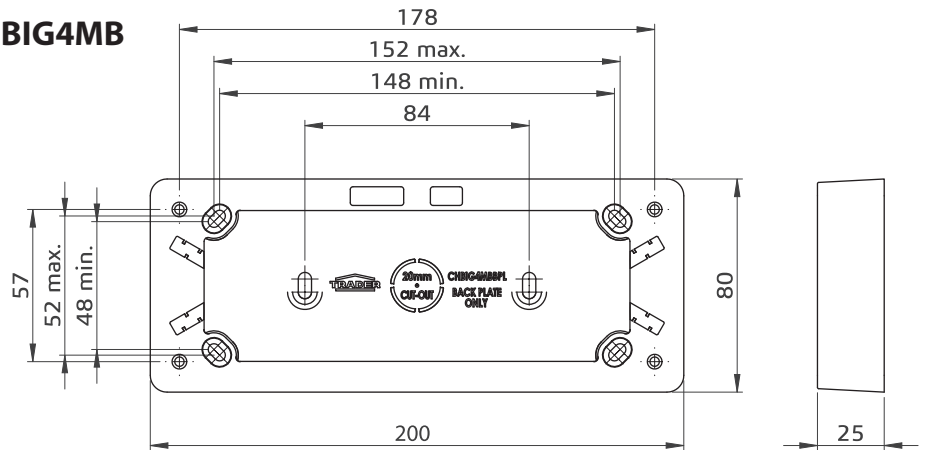
It is important to ensure that switches are turned off before cleaning.

Do not use any cleaning sprays - only wipe down with damp cloth or rub with dry cloth. (Do not use an abrasive cloth as it may scratch the plastic).

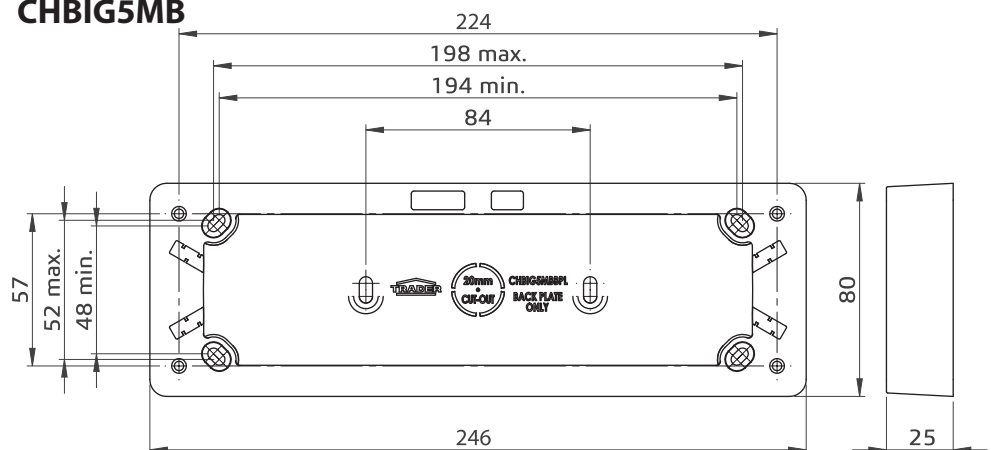
Do not use harsh chemical cleaners as these can break down the plastic and cause it to crack.

Do not wash the cover plates in water over 60°C.

**CHBIG4MB**



**CHBIG5MB**



**CH4X4**  
**CH4X4BK**  
**CH4X4MB**  
**CH4X4MBBK**

\*See current catalogue for further detail

**Cleaning Guide:**

Spraying cleaning products on to electrical products is not recommended.

It is important to ensure that switches are turned off before cleaning.

Do not use any cleaning sprays - only wipe down with damp cloth or rub with dry cloth. (Do not use an abrasive cloth as it may scratch the plastic).

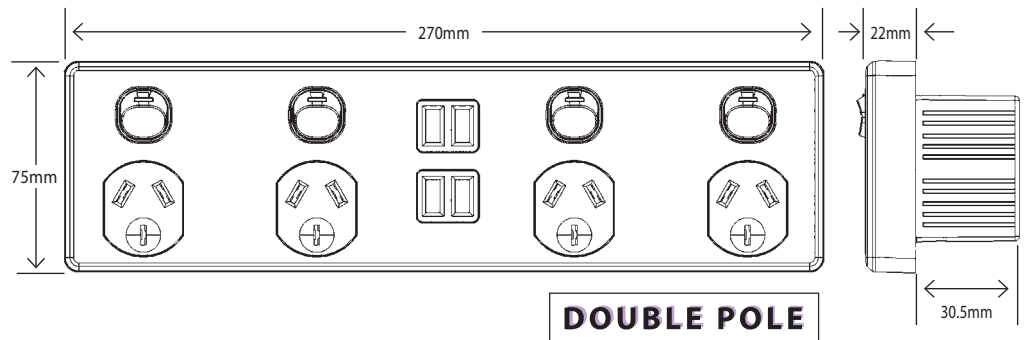
Do not use harsh chemical cleaners as these can break down the plastic and cause it to crack.

Do not wash the cover plates in water over 60°C.



## 4 x 4 – 4 Sockets x 4 USB's

- Four Switched Sockets, Double Pole 10A 250V~ and Four Type A USB ports.
- Wide spacing between sockets for wide plug bases.
- Mounting Block [CH4X4MB] suits both Puma and Cheetah 4X4 Products.
- Dolly indicator colour green.
- The rating for the USB is 2 x 3.1A at 5V when one device is inserted then it divides to split the output when a device is inserted in each USB socket - 3.1A available across 2 USB outlets on the left and 3.1A available across 2 USB outlets on the right.
- Fits standard wall boxes and mounting accessories.
- Covers, plates and dollies are made from UV stabilised polycarbonate to avoid discolouring to yellow.
- Standard colour is white. Black also stocked - please check availability .
- Approved to AS/NZS3112 & AS/NZS60950-1.



## CH4X4MB/CH4X4MBBK Mounting Block

- 31mm high mounting block to suit CH4X4 (34mm with backing plate).
- Made from UV stabilised polycarbonate to avoid discolouring to yellow.
- Mounting block includes backing plate for situations where fully enclosed insulation is required.
- Standard colour is white. Black also stocked - please check availability.



Catalogue Number	Description
CH4X4	Power Point Switched 4 Gang, 10A 250V~ and 4 USBs 5V 2 x 3.1A
CH4X4BK	Power Point Switched 4 Gang, 10A 250V~ and 4 USBs 5V 2 x 3.1A Black
CH4X4MB	Mounting Block (31mm deep) / with backing plate (34mm deep)
CH4X4MBBK	Mounting Block (31mm deep) / with backing plate (34mm deep) Black

**Certification Number:** GMA-502543-EA

**GSM Electrical (Australia) Pty Ltd**

Level 2, 142-144 Fullarton Road, Rose Park SA 5067

P: 1300 301 838 F: 1300 301 778 E: service@gsm.com.au

[www.gsm.com.au](http://www.gsm.com.au)



Data Specification Sheet  
March 2021