

**PUPP2G**  
**PUPP152G**  
**PUPPSW2G**  
**PUPPV2G**

\*See current catalogue for further detail

**Cleaning Guide:**

Spraying cleaning products directly on to electrical switches or power points (sockets) is not recommended.

It is important to ensure that switches are turned off before cleaning.

Do not use any cleaning sprays - only wipe down with damp cloth or rub with dry cloth. Do not use an abrasive cloth as it may scratch the plastic.

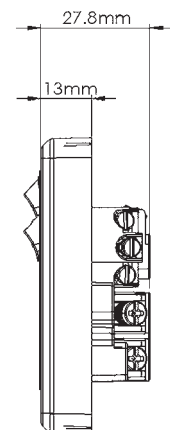
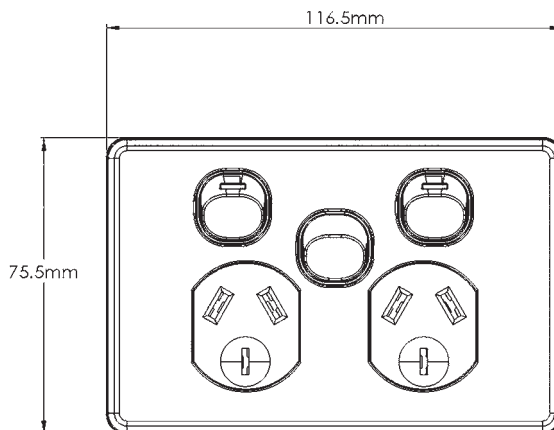
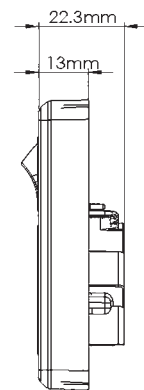
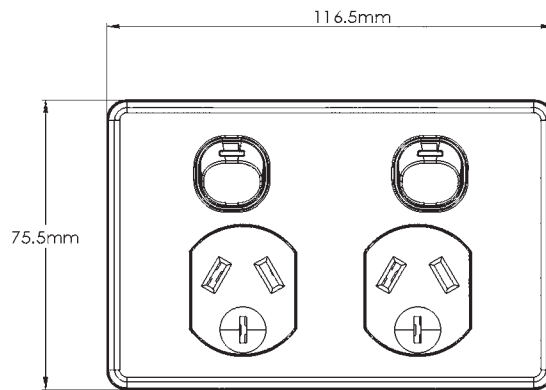
Do not use harsh chemical cleaners as these can break down the plastic and cause it to crack.

Do not wash the cover plates in water over 60°C.



## Puma Range of Double Power Points

- Switches approved to AS/NZS3133
- Socket outlets approved to AS/NZS3112
- Uses brass tunnel terminals that have the screws backed out for easier installation of cabling. Power point terminals have 5.7mm bore to suit 4 x 2.5mm<sup>2</sup> cable.
- Fits standard Australian wall boxes and mounting accessories that use 84mm mounting centres.
- Covers, plates and dollies are made from UV stabilised polycarbonate to avoid discolouring to yellow.
- Standard colour is white. Black also stocked - please check availability.
- Typical example of size seen below:



Catalogue Number	Description
PUPP2G	Power Point Switched 2 Gang 10A 250V~
PUPP152G	Power Point Switched 2 Gang 15A 250V~
PUPPSW2G	Power Point Switched 2 Gang 10A 250V~ With Extra Switch 10AX/16A
PUPPV2G	Power Point Switched Vertical 2 Gang, 10A 250V~

**Certification Number:**

PUPP2G: GMA-508660-EA  
PUPP152G: GMA-500830-EA  
PUPPSW2G: GMA-501260-EA  
PUPPV2G: GMA-501806-EA

**GSM Electrical (Australia) Pty Ltd**

Level 2, 142-144 Fullarton Road, Rose Park SA 5067  
P: 1300 301 838 F: 1300 301 778 E: service@gsme.com.au  
[www.gsme.com.au](http://www.gsme.com.au)

