

## FNCEFD



COMES COMPLETE WITH KIT

### Cleaning Guide:

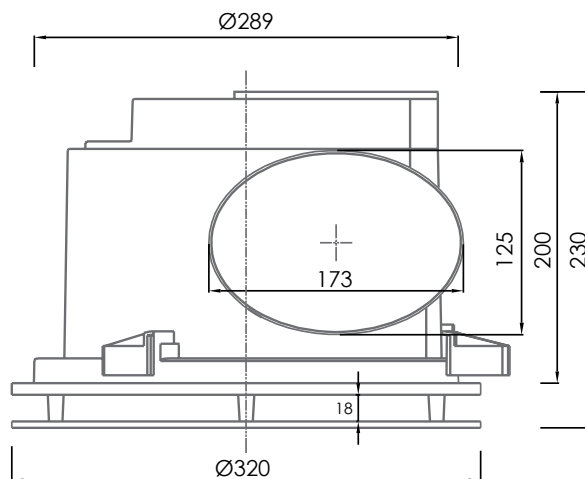
See instructions with product packaging

## Falcon Ceiling Exhaust Fan Ducted

- Pack includes: Grille, fan module, duct adaptor, 3m of 150mm duct, air outlet grille and 2 duct clamps
- Ideal for rapid removal of steam and odours
- Easy to clean grille
- Quiet operation
- Built in non-return draft excluder
- Retro-fit for 295mm round cut-out
- Plug and lead fitted
- 150mm duct compatible
- Suitable for ceilings between 5mm and 12mm
- 60 Watt Ball Bearing Motor
- Ducting Outlet Ø150mm
- Airflow 350 m<sup>3</sup>/h
- Cutout size Ø295mm
- 3m Duct Length



COMES COMPLETE WITH KIT



Certification Number: SAA-190785-EA

GSM Electrical (Australia) Pty Ltd

Level 2, 142-144 Fullarton Road, Rose Park SA 5067

P: 1300 301 838 F: 1300 301 778 E: service@gsme.com.au

www.gsme.com.au



Data Specification Sheet  
July 2019



## FNCEF200 FNCEF250



### Cleaning Guide:

See instructions with product packaging

## Falcon Ceiling Exhaust Fans

- Easy to clean clip on grille
- High performance ball bearing motor
- Compatible with our Hyena Surface Sockets

### FNCEF200 - Ceiling Exhaust Fan 200mm

- **Cut out size: Ø 240mm / Overall diameter 300mm**
- 107mm product height without fascia
- 117mm product height including fascia
- 100mm minimum height clearance from rooftop to ceiling
- 214mm air outlet diameter
- Air flow 240m<sup>3</sup> per hour
- 25 Watt ball bearing motor



Easy to Clean Grille

### FNCEF250 - Ceiling Exhaust Fan 250mm

- **Cut out size: Ø 290mm / Overall diameter 355mm**
- 103mm product height without fascia
- 112mm product height including fascia
- 100mm minimum height clearance from rooftop to ceiling
- 270mm air outlet diameter
- Air flow 401m<sup>3</sup> per hour
- 35 Watt ball bearing motor



High Performance Ball Bearing Motor

### Cross Reference Chart

Trader	Clipsal*
FNCEF200	CE200
FNCEF250	CE250



Frame design has rotating clamp lugs for ease of installation.

Catalogue Number	Description
FNCEF200	Ceiling Exhaust Fan 200mm
FNCEF250	Ceiling Exhaust Fan 250mm

\*The Clipsal brand and associated products are registered trademarks of Schneider Electric (Australia) Pty Ltd. GSM Electrical (Australia) Pty Ltd, the TRADER brand and its products, have no endorsement or affiliation with Schneider Electric Pty Ltd.

**Certification Number:** SAA-172363-EA

**GSM Electrical (Australia) Pty Ltd**  
Level 2, 142-144 Fullarton Road, Rose Park SA 5067  
P: 1300 301 838 F: 1300 301 778 E: service@gsm.com.au  
[www.gsm.com.au](http://www.gsm.com.au)



Data Specification Sheet  
May 2019

