

## CHBIG4 CHBIG5

\*See current catalogue for further detail

### Cleaning Guide:

Spraying cleaning products on to electrical products is not recommended.

It is important to ensure that switches are turned off before cleaning.

Do not use any cleaning sprays - only wipe down with damp cloth or rub with dry cloth. (Do not use an abrasive cloth as it may scratch the plastic).

Do not use harsh chemical cleaners as these can break down the plastic and cause it to crack.

Do not wash the cover plates in water over 60°C.

# Cheetah BIG4 and BIG5 Power Points

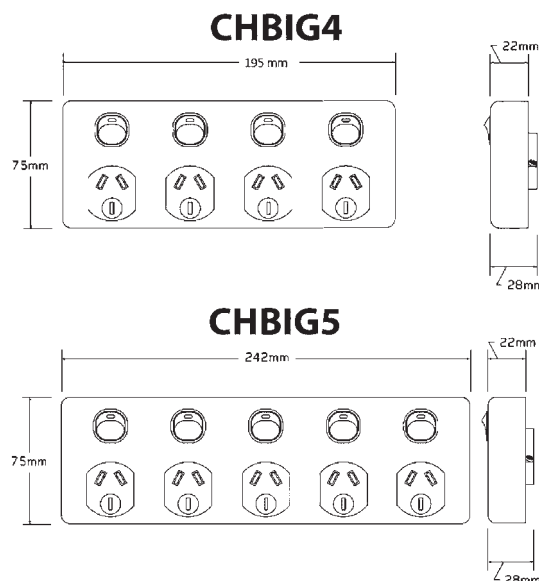
CHBIG4 and CHBIG5  
DOUBLE POLE

### CHBIG4

- Double pole surface mounted switched 4 Gang Power Point.
- 10A at 250V~
- Diameter 6mm terminal bores to suit 4 x 2.5 mm<sup>2</sup> cables.
- Fits 84 mm mounting centres.
- Dolly indicator colour green.
- Covers, plates and dollies made from UV stabilised polycarbonate to avoid discolouring to yellow.
- Colour: White.
- Approved to AS/NZS3112.

### CHBIG5

- Double pole surface mounted switched 5 Gang Power Point.
- 10A at 250V~
- Diameter 6mm terminal bores to suit 4 x 2.5 mm<sup>2</sup> cables.
- Fits 84 mm mounting centres.
- Dolly indicator colour green.
- Covers, plates and dollies made from UV stabilised polycarbonate to avoid discolouring to yellow.
- Approved to AS/NZS3112.
- **The BIG5 uses the same features and mounting system as the BIG4, but has the additional switched socket for convenience.**



### CHBIG4MB and CHBIG5MB Mounting Blocks

(Separate Data Sheet available with measurements details)

- 25mm high mounting block to suit CHBIG4 and CHBIG5
- Made from UV stabilised polycarbonate to avoid discolouring to yellow
- BIG4 Mounting blocks include backing plates for situations where fully enclosed insulation is required.
- BIG5 Mounting blocks include backing plates for situations where fully enclosed insulation is required.



**Certification Number:**  
GMA-507804-EA

**GSM Electrical (Australia) Pty Ltd**  
Level 2, 142-144 Fullarton Road, Rose Park SA 5067  
P: 1300 301 838 F: 1300 301 778 E: service@g sme.com.au  
[www.g sme.com.au](http://www.g sme.com.au)



Data Specification Sheet  
February 2021