

COUSB2G COUSB4G COPP2USB2G

*See current catalogue for further detail

Cleaning Guide:

Spraying cleaning products directly on to electrical switches or power points (sockets) is not recommended.

It is important to ensure that switches are turned off before cleaning.

Do not use any cleaning sprays - only wipe down with damp cloth or rub with dry cloth. (Do not use an abrasive cloth as it may scratch the plastic).

Do not use harsh chemical cleaners as these can break down the plastic and cause it to crack.

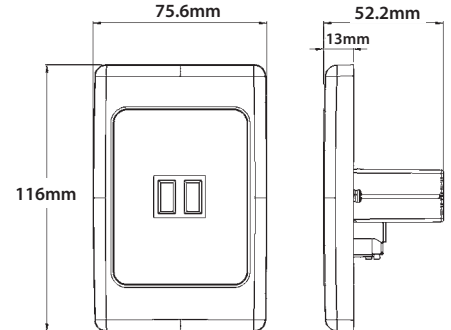
Do not wash the cover plates in water over 60°C.



Cougar Range of USB's

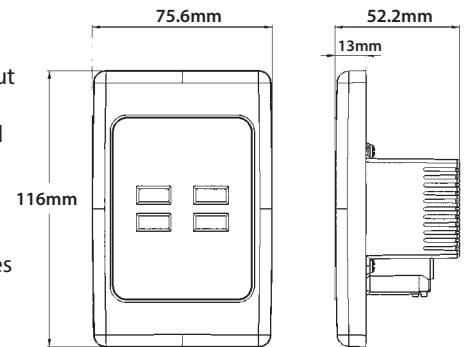
COUSB2G

- USB outlet approved to AS/NZS 60950.1
- The rating for the USB is 3.4A at 5V when one device is inserted then it divides to split the output when a device is inserted in each USB socket
- USB power supply contains temperature cut out and overload protection
- Fits standard wall boxes and mounting accessories
- Covers, plates and dollies are made from UV stabilised polycarbonate to avoid discolouring to yellow
- Standard colour is white



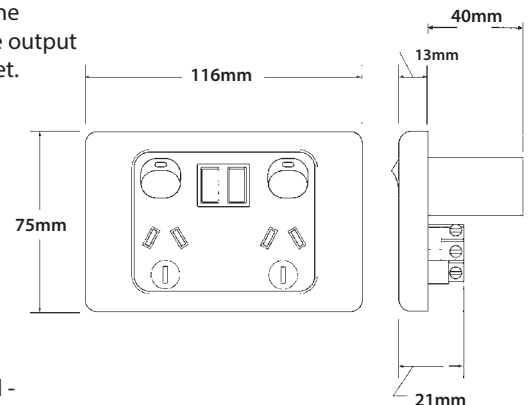
COUSB4G

- USB outlet approved to AS/NZS 60950.1
- The rating for the USB is 2 x 3.1A at 5V when one device is inserted then it divides to split the output when a device is inserted in each USB socket - 3.1A available across 2 USB outlets on the left and 3.1A available across 2 USB outlets on the right
- USB power supply contains temperature cut out and overload protection
- Fits standard wall boxes and mounting accessories
- Covers, plates and dollies are made from UV stabilised polycarbonate to avoid discolouring to yellow
- Standard colour is white



COPP2USB2G

- USB outlet approved to AS/NZS 60950.1
- Electrical power point approved to AS/NZS 3112
- The rating for the USB is 3.4A at 5V when one device is inserted then it divides to split the output when a device is inserted in each USB socket.
- Fits standard wall boxes and mounting accessories
- Covers, plates and dollies are made from UV stabilised polycarbonate to avoid discolouring to yellow
- Uses brass tunnel terminals that have the screws backed out for easier installation of cabling. Power point terminals have 6mm bore to suit 4 x 2.5mm² cable
- Standard colour is white. Black also stocked - please check availability



Certification Numbers:

COUSB2G: GMA-103194-EA-006

COUSB4G: GMA-103194-EA-006

COPP2USB2G: GMA-103194-EA-007

GSM Electrical (Australia) Pty Ltd

Level 2, 142-144 Fullarton Road, Rose Park SA 5067

P: 1300 301 838 F: 1300 301 778 E: service@gsme.com.au

www.gsme.com.au

