



HPSW1G
HPSW1GBK
HPSW2G
HPSW2GBK

*See current catalogue for further detail

Cleaning Guide:

Spraying cleaning products directly on to electrical switches or power points (sockets) is not recommended.

It is important to ensure that switches are turned off before cleaning.

Do not use any cleaning sprays - only wipe down with damp cloth or rub with dry cloth. Do not use an abrasive cloth as it may scratch the plastic.

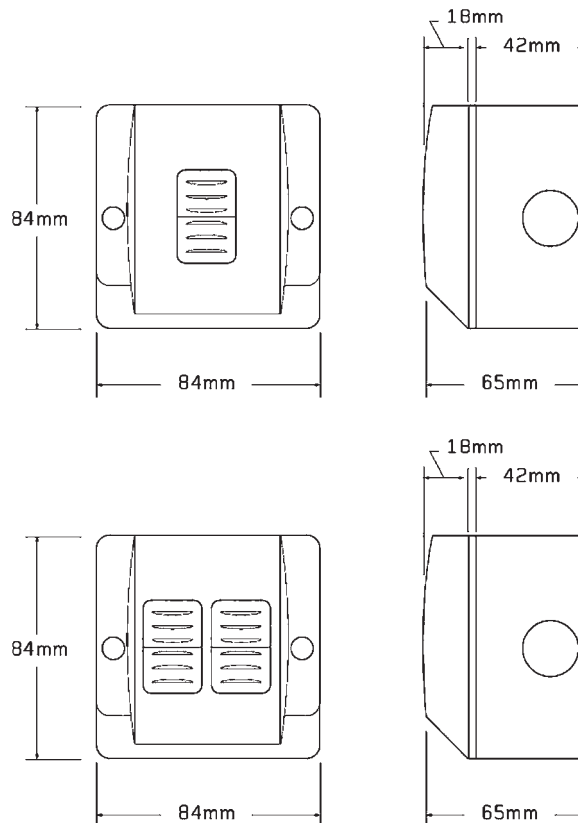
Do not use harsh chemical cleaners as these can break down the plastic and cause it to crack.

Do not wash the cover plates in water over 60°C.

Hippo Range of Switches

HPSW1G, HPSW2G, HPSW1GBK, HPSW2GBK

- 16AX/20A 250V~ rated modular weatherproof switches.
- Heavy duty switch mechanism with additional mech securing screws.
- The Hippo product including dollies, is made from UV Stabilised Polycarbonate to avoid discolouring.
- Switches are single pole two way with looping terminal.
- IP66 ideal for prevention against water or harmful objects that may compromise conventional light switches. Perfect for use in exterior applications, or damp/dusty environments such as building exteriors, carports, gardens or workshops.
- Styling matches the rest of the Trader Hippo family of products.
- Back mounting boxes that contain 20mm and 25mm plain entries.
- Colours available include Grey or Black.



Catalogue Number	Description
HPSW1G	Single Outdoor Switch IP66 16AX/20A
HPSW1GBK	Single Outdoor Switch IP66 16AX/20A, Black
HPSW2G	Double Outdoor Switch IP66 16AX/20A
HPSW2GBK	Double Outdoor Switch IP66 16AX/20A, Black

Certification Number:
 HPSW1G & HPSW2G: GMA-103194-EA-012

GSM Electrical (Australia) Pty Ltd
 Level 2, 142-144 Fullarton Road, Rose Park SA 5067
 P: 1300 301 838 F: 1300 301 778 E: service@g sme.com.au
www.g sme.com.au

