

Meter Box - 230DRAQTPL

en



Life Is On

CLIPSAL
by Schneider Electric

⚠️ ⚠️ DANGER

HAZARD OF ELECTRIC SHOCK, EXPLOSION, OR ARC FLASH

Safe electrical installation must be carried out only by qualified electrical personnel. Qualified electrical personnel must prove profound knowledge in the following areas:

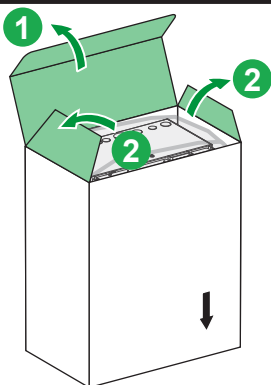
- Connecting to installation networks
- Connecting several electrical devices
- Laying electrical cables
- Safety standards, local wiring rules, and regulations

Failure to follow these instructions will result in death or serious injury.

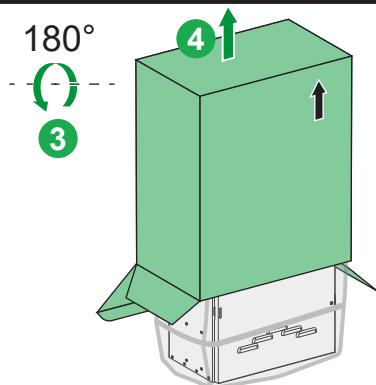


Refer to guide or catalogue for Products and System selection and performance.

Package Contents



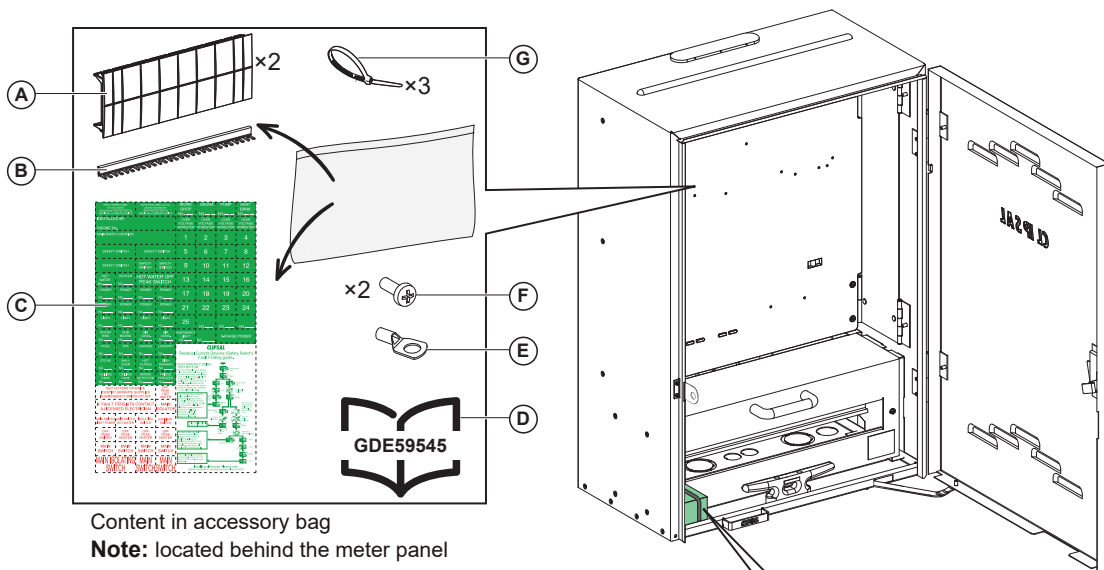
Note: Follow the orientation for unboxing



Rotate package by 180° with care and remove carton box



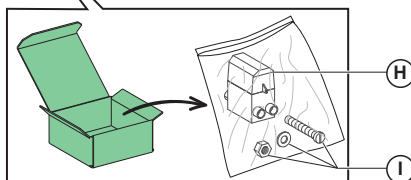
Parts Identification



Content in accessory bag

Note: located behind the meter panel

- A Pole filler
- B Single phase busbar
- C Green label sheet
- D Instruction sheet
- E Cable lug
- F Screw(M4)
- G Cable tie
- H Meter isolation link
- I Plastic fasteners - screw(M5), washer and nut



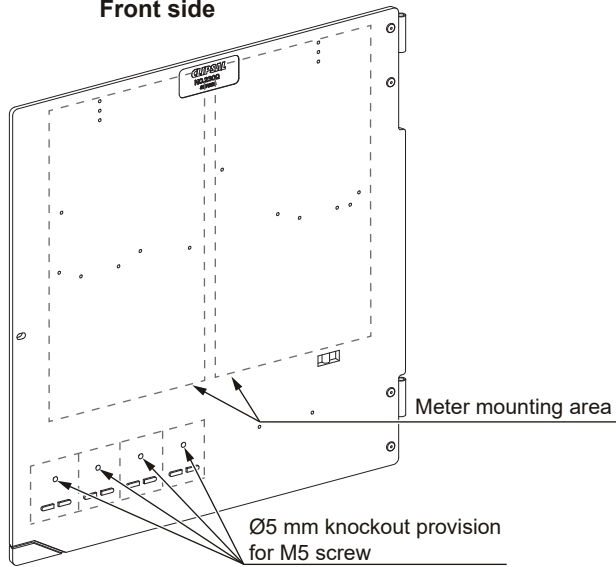
Meter isolation link kit

Note: Located at left bottom corner(cut the cable tie)

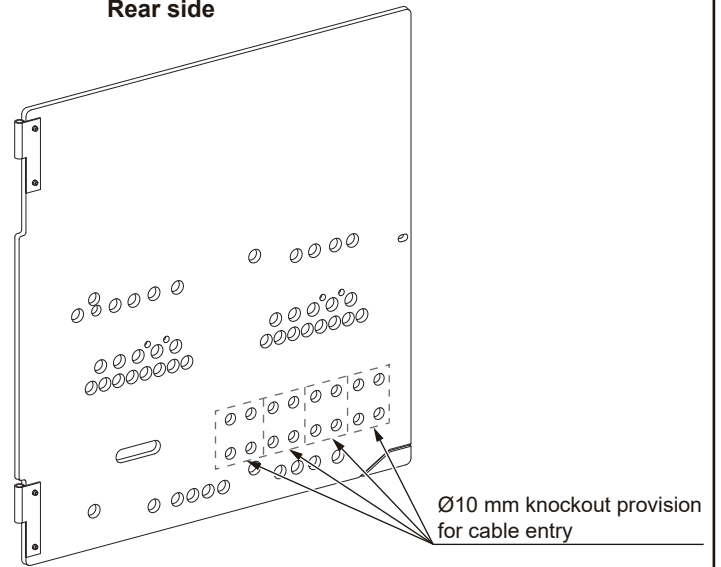


Meter panel

Front side

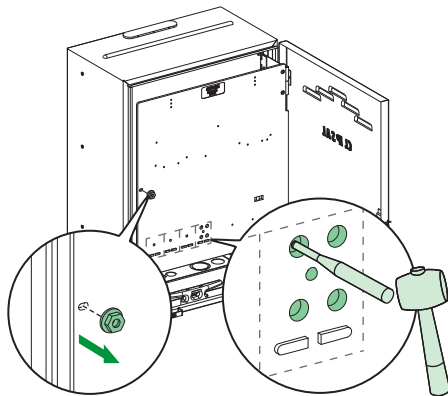


Rear side

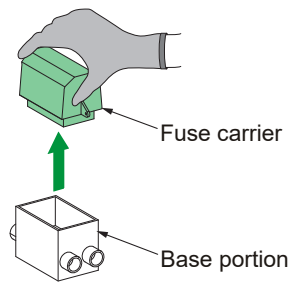


Note: Provision for 4 meter isolation link mounting, one meter isolation link kit supplied with product

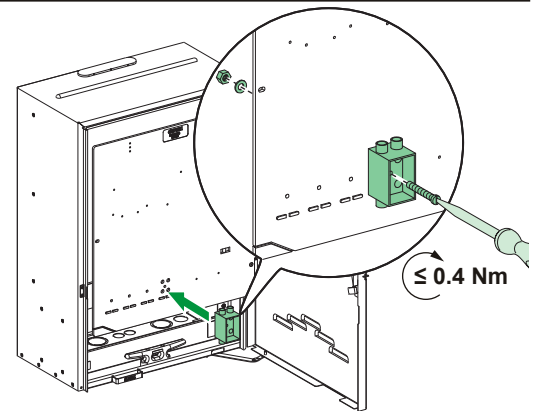
Meter Isolation Link Fixation



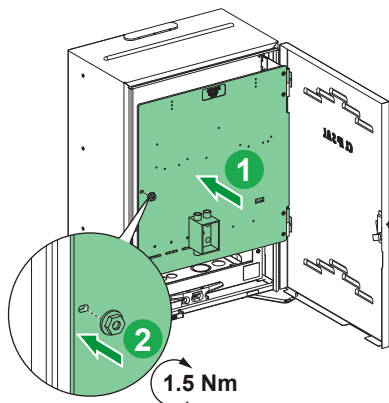
1. Knockout meter isolation link mounting and cable entry holes on meter panel as required



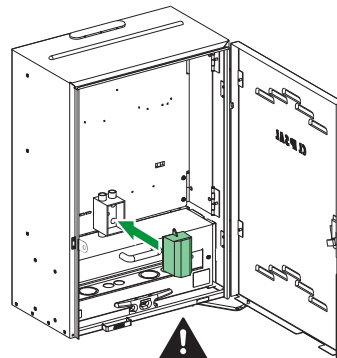
2. Pullout meter isolation link fuse carrier from base portion



3. Use accessories provided in kit for fixing meter isolation link on meter panel



4. After wiring to meter isolation link from rear side of meter panel, push back meter panel to its original position



5. Reassemble the fuse carrier to base portion

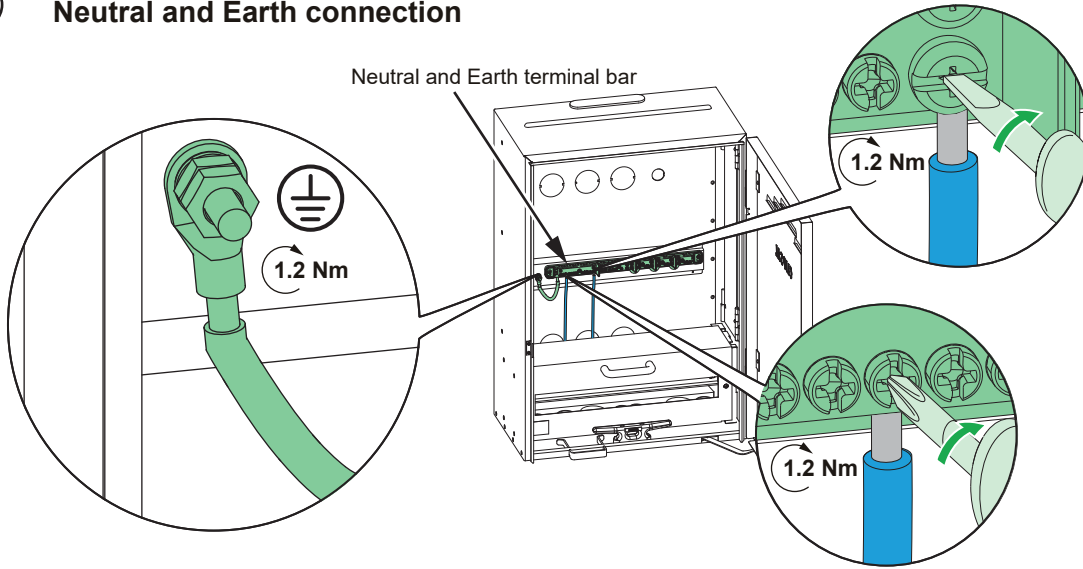
Note:



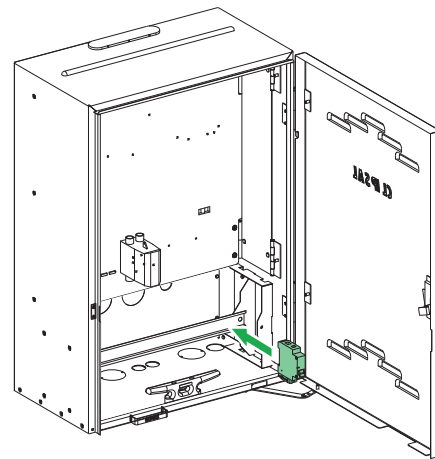
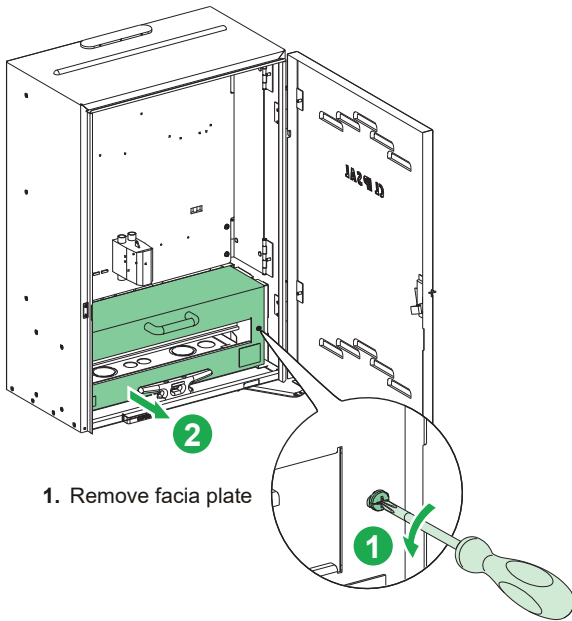
= Mandatory step to be followed



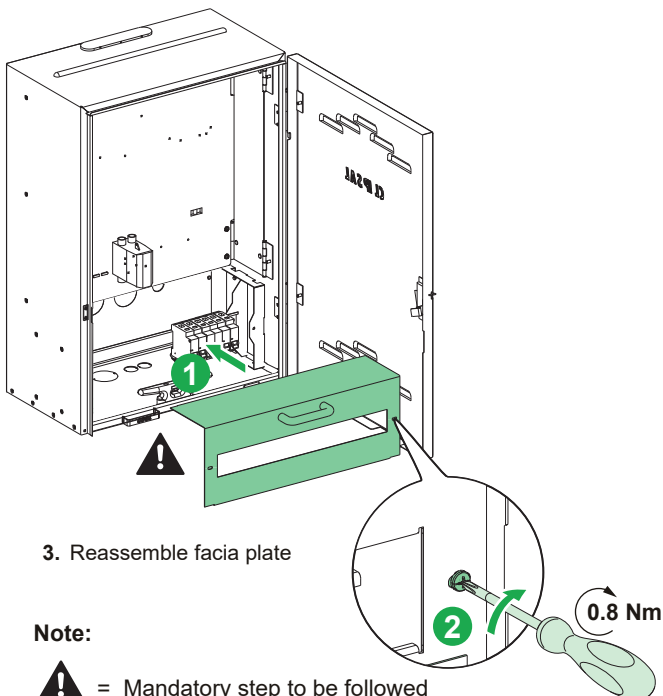
Neutral and Earth connection



Circuit Protection Device Installation



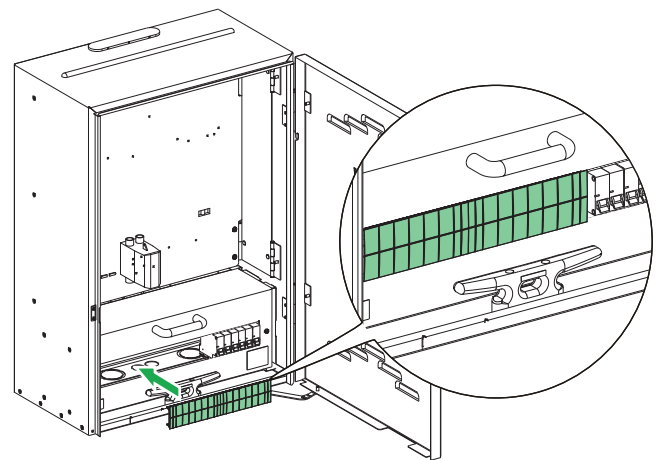
Note: DIN is suitable for 21 module of 18 mm each



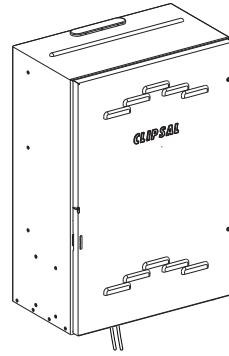
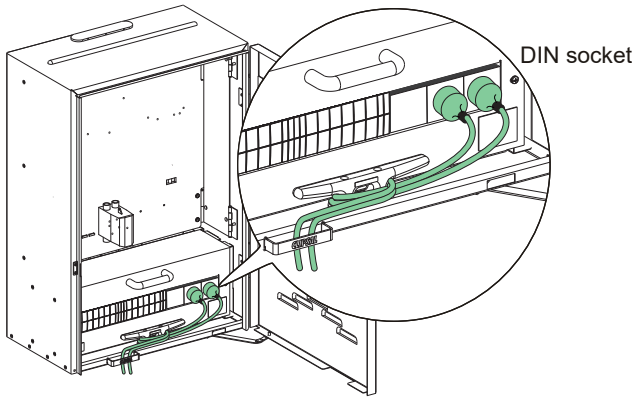
Note:



= Mandatory step to be followed



Cable Protection Slide and Lead Tie-off Point to Help Comply to AS/NZS 3012 for Temporary Installation

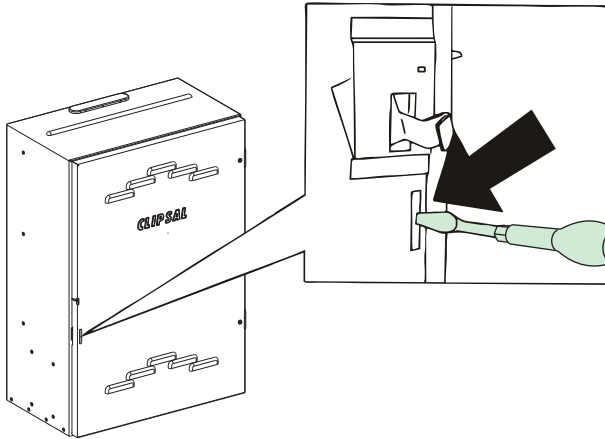


1. Pass the leads through cable protection slide at the bottom opening and tie off before plugging into socket outlet
Note: Fill unused space with pole filler

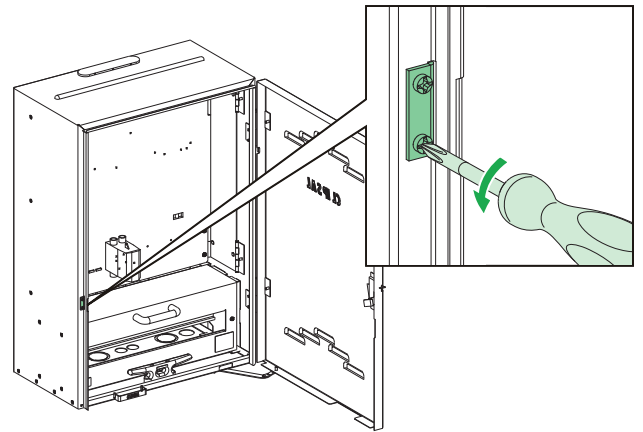
2. Ensure door is closed after installation

Note: To suit temporary and permanent installation follow local service and installation rules

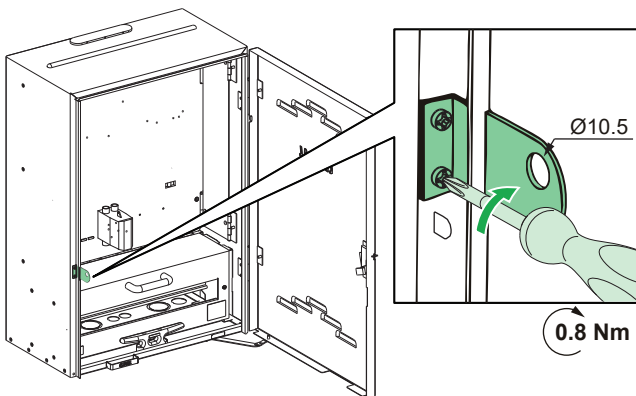
Doorlock Instruction



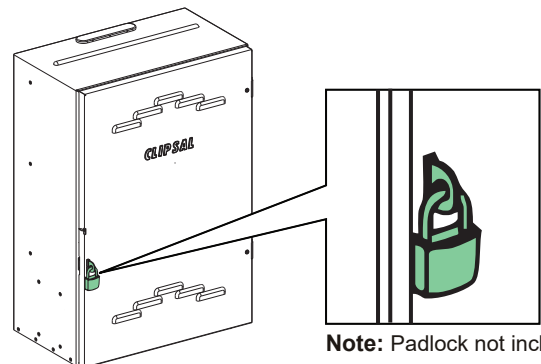
1. Break out knockout slot from the inside of door



2. Dismount the pre-assembled locking strap



3. Reverse the locking strap in same position and reassemble it with the screws



Note: Padlock not included

Schneider Electric (Australia) Pty Ltd
33-37 Port Wakefield Road, Gepps Cross SA 5094
Customer Care: 13 73 28
Email: customer care.au@se.com
www.clipsal.com

Schneider Electric reserves the right to change specifications, modify designs and discontinue items without incurring obligation and whilst every effort is made to ensure that descriptions, specifications and other information in this catalogue are correct, no warranty is given in respect thereof and the company shall not be liable for any error therein.

© Schneider Electric 2019

This material is copyright under Australian and international laws. Except as permitted under the relevant law, no part of this work may be reproduced by any process without prior written permission of and acknowledgement to Schneider Electric.