



DIGITEK[®]
Complete Digital Solutions



2021 ELECTRICAL

Canberra

11 Sheppard Street
Hume, ACT 2620
Ph: (02) 6260 1874

Sydney

Unit 7, 463 Victoria Street
Wetherill Park NSW 2164
Ph: (02) 9659 2272

Melbourne

7/1 Culverlands Street
West Heidelberg, VIC 3081
Ph: (03) 9456 9222

Adelaide

Unit 3 / 4 Armiger Court
Holden Hill, SA 5088
Ph: (08) 8395 4111

Image	Model #	Description
	27CT075100.8	75mm (W) x 10mm (H) x 2.4 (L) 0.8mm (T)
	27CT100100.8	100mm (W) x 10mm (H) x 2.4m (L) 0.8mm (T)
	27CT150100.8	150mm (W) x 10mm (H) x 2.4m (L) 0.8mm (T)
	27CT225100.8	225mm (W) x 10mm (H) x 2.4m (L) 0.8mm (T)
	27CT300100.8	300mm (W) x 10mm (H) x 2.4m (L) 0.8mm (T)

Features:

- The Digitek Perforated Cable Trays are pre galvanised, the trays have a 10mm side wall and come in 2.4m lengths. Available in 75mm, 100mm, 150mm, 225mm and 300mm widths.
- Lightweight design
- Perforated profile to allow airflow to cables and easy fixing method
- Made from Pre-Gal steel for anti-corrosion protection

Package Contents: Bundle of 4

Product images are for illustrative purposes only and may differ from the actual product



27MB2424UA*^

600H x 600W x 270D

27MB2424DA*^

600H x 600W x 270D

27MB2424UA3*^

600H x 600W x 330D

Digitek Meter Box's

Part Number	Description	Size
27MB2424UA*^	Standard ACT/NSW Residential Metering Enclosure - Undrilled	600H x 600W x 270D
27MB2424DA*^	Standard ACT/NSW Residential Metering Enclosure Pre-Drilled	600H x 600W x 270D
27MB2424UA3*^	Standard ACT/NSW Residential Metering Enclosure 330mm Deep	600H x 600W x 330D

Notes: * Includes Panel. ^ Includes Loom Accessory. # Powder Coated

Product images are for illustrative purposes only and may differ from the actual product

Digitek Meter Box's

Part Number	Description	Size
27MB2424UA*^	Standard ACT/NSW Residential Metering Enclosure - Undrilled	600H x 600W x 270D
27MB2424DA*^	Standard ACT/NSW Residential Metering Enclosure Pre-Drilled Panel	600H x 600W x 270D
27MB2424UA3*^	Standard ACT/NSW Residential Metering Enclosure 330mm Deep	600H x 600W x 330D

Metal Enclosures

Part Number	Description	Size
27MB3636UA*^#	36" x 36" Meter Box - Powder Coated	914H x 914W x 330D
27MB2436UA*^#	36" x 24" Meter Box - Powder Coated	914H x 600W x 330D
27MB1818U*	18" x 18" Meter Box	484H x 482W x 270D
27MB1614U*	16" x 14" Meter Box	440H x 381W x 270D
27MB1212U*	12" x 12" Meter Box	342H x 330W x 270D

Digitek Panel Surrounds

Part Number	Description	Size
27MR2424UC*#	24" x 24" x 4" Panel and Surround - Powder coated	570H x 570W x 102D
27MR1818U-4*	18" x 18" x 4" Panel and Surround - Pre Gal	460H x 460W x 102D
27MR1818U-6*	18" x 18" x 6" Panel and Surround - Pre Gal	460H x 460W x 152D
27MR1212U-4*	12" x 12" x 4" Panel and Surround - Pre Gal	305H x 305W x 102D
27MR1212U-6*	12" x 12" x 6" Panel and Surround - Pre Gal	305H x 305W x 152D
27MR1812U-4*	18" x 12" x 4" Panel and Surround - Pre Gal	460H x 305W x 102D
27MR1812U-6*	18" x 12" x 6" Panel and Surround - Pre Gal	460H x 305W x 152D
27MR1614U-4*	16" x 14" x 4" Panel and Surround - Pre Gal	410H x 360W x 102D
27MR1614U-6*	16" x 14" x 6" Panel and Surround - Pre Gal	410H x 360W x 152D
27MR1414U-4*	14" x 14" x 4" Panel and Surround - Pre Gal	360H x 360W x 102D
27MR1414U-6*	14" x 14" x 6" Panel and Surround - Pre Gal	360H x 360W x 152D

Temporary Meter Box on Stand

Part Number	Description	Size
27MBTSE*	Temporary Meter Box Stand Empty	503H x 503W x 235D
27MBTS3P*	3 Phase Loaded Temporary Meter Box comes with Stand	500H x 500W x

Accessories

Part Number	Description	Size
27MA12	Din rail to suit 27MA12, 12 pole length	257W x 160D x 62H
27MP2424UH	Replacement Panel for 27MB2424UA / DA	579W x 566H x 6mm Thick
27MP2424DH	Replacement Pre-Drilled Panel for 27MB2424UA / DA & 27MB2424UA3	579W x 566H x 6mm Thick

Notes: * Includes Panel. ^ Includes Loom Accessory. # Powder Coated

- All models are individually packed in cardboard boxes.
- Insulating Panels AS1795 / IEC60893. Steel Sheet AS1397.
- All welds painted with corrosive resistant galvanizing Paint.
- All hinges and tabs are rivetted, a superior option to spot welding

Temporary Site Meter Box

27MBTS Temporary Site Meter Box

- 1.2mm Pre Galvanised Steel Sheet AS1397 rated
- P23 Rated
- Internal Insulating Panel AS1795/IEC60893
- 500mm x 500mm Enclosure
- UV Stabilised Powder Coated 2-piece stand
- Cable restraint tie rods
- Additional metal brace/tie rod
- 3 Phase Main Switch 100A
- Provision for 3 Phase socket to be mounted on main board
- 1x 15A Power Point
- 5x 10A Double Power Points with Active and Neutral switching
- Comes with lock for lockable lume box
- Available in single and 3 phase versions
- Wired and tested in Australia



27MBTS

Assembled Dimensions (W x D x H)
520mm x 610mm x 1875mm

**Please Call your
Local Branch
For Pricing**

Temporary Meter Box on Stand

Part Number	Description	Size
27MBTSE*	Temporary Meter Box Stand Empty	503H x 503W x 235D
27MBTS3P	3 Phase Loaded Temporary Meter Box comes with Stand	500H x 500W x

Notes: * Includes Panel. ^ Includes Loom Accessory. # Powder Coated

Product images are for illustrative purposes only and may differ from the actual product

Temporary Site Meter Box

27MBTS3P Temporary Site Meter Box

- Made from 1.2mm Pre Galvanised Steel Sheet As1397 rated.
- Internal Insulating Panel AS1795/IEC60893.
- IP23 Rated.
- 500mm x 500mm Enclosure
- 2 Piece compact kit for shipping to any job site conveniently. Stand assembles in less than 5 minutes complete.
- UV Stabilised Powder Coated 2-piece stand
- Cable restraint isolated tie rods on top and bottom fully installed. Additional metal brace/tie rod on bottom.
- 3 Phase Main Switch 100A
- 5 pin 32 Amp 3 Phase socket to be mounted on outside of box.
- Separate 32 Amp Breaker for 3 Phase Socket.
- Separate 40 mA RCP for 3 Phase Socket
- 5x 10A Double Power Points with Active and Neutral switching.
- 1x 15A Power Point.
- Complete with lock for lockable lume box.
- Fully wired and tested in Australia by licenced electricians with locally sourced SAA approved electrical parts.



27MBTS3P

Assembled Dimensions (W x D x H)
520mm x 610mm x 1875mm

Temporary Meter Box on Stand

Part Number	Description	Size
27MBTSE*	Temporary Meter Box Stand Empty	503H x 503W x 235D
27MBTS3P	3 Phase Loaded Temporary Meter Box comes with Stand	500H x 500W x

Notes: * Includes Panel. ^ Includes Loom Accessory. # Powder Coated

Product images are for illustrative purposes only and may differ from the actual product



Point of Attachment Fascia Riser Mounts

Hills POA Fascia Riser Mounts

The Hills Point Of Attachment Fascia Riser Mounts are proudly Australian Made using strong all Australian Steel materials and fully welded construction for extra strength.

The brackets and all supplied mounting fasteners are Hot Dipped Galvanised for superior protection.

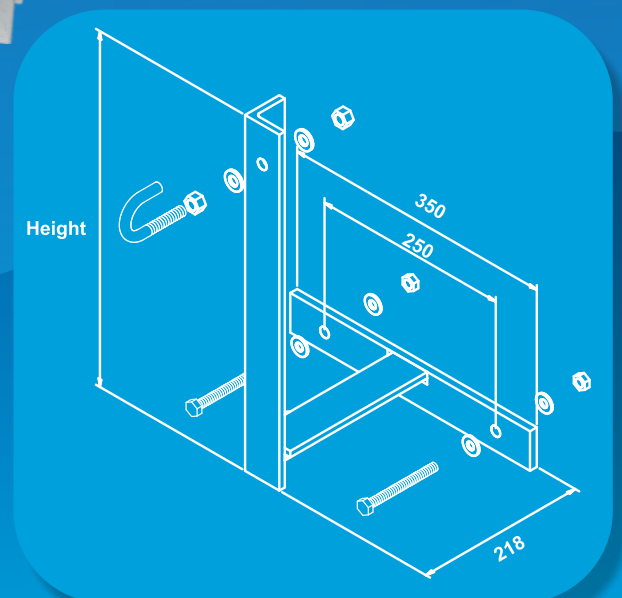


Part Numbers:

- 300mm - FB607301
- 450mm - FB607302
- 600mm - FB607303
- 750mm - FB607304
- 900mm - FB607305

Specifications:

Material: Steel 50mm x 50mm x 8mm
Grade: 300 AS/NZS3679.1 Hot Dipped Galvanised
Weight: 4.2kg to 7.9kg
Complies with AS4680 NSW Service Installation Rules



Product images are for illustrative purposes only and may differ from the actual product



Point of Attachment Rafter Riser Mounts

Hills POA Rafter Riser Mounts

The Hills Point Of Attachment Rafter Riser Mounts are proudly Australian Made using strong all Australian Steel materials and fully welded construction for extra strength.

The brackets and all supplied mounting fasteners are Hot Dipped Galvanised for superior protection.

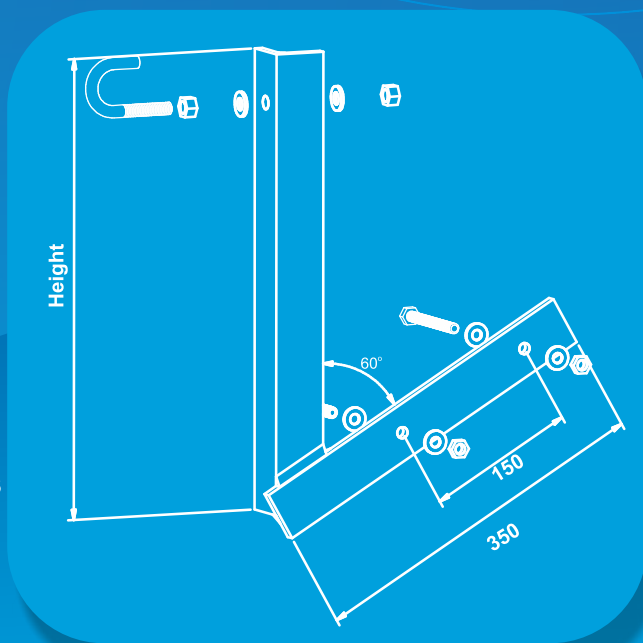


Part Numbers:

- 300mm - FB607306
- 450mm - FB607307
- 600mm - FB607308

Specifications:

- Material: Steel 50mm x 50mm x 8mm
- Grade: 300 AS/NZS3679.1 Hot Dipped Galvanised
- Weight: 3.4kg to 5.1kg
- Complies with AS4680 NSW Service Installation Rules



Product images are for illustrative purposes only and may differ from the actual product

Notes:

.....

.....

.....

.....

.....

.....

.....

.....

.....

.....

orders@bitek.com.au

HILLS.TM

DIGI **TEK**[®]

Complete Digital Solutions



Canberra
11 Sheppard Street
Hume, ACT 2620
Ph: (02) 6260 1874

Sydney
Unit 7, 463 Victoria Street
Wetherill Park NSW 2164
Ph: (02) 9659 2272

Melbourne
7/1 Culverlands Street
West Heidelberg, VIC 3081
Ph: (03) 9456 9222

Adelaide
Unit 3 / 4 Armiger Court
Holden Hill, SA 5088
Ph: (08) 8395 4111