

# WP2 LED

## Weatherproof Battens

A WEATHERPROOF LUMINAIRE FOR ALL TYPES  
OF ENVIRONMENTAL CONDITIONS



CATALOGUE  
PAGES  
INSIDE

THE GLOBAL SPECIALIST  
IN ELECTRICAL AND DIGITAL BUILDING INFRASTRUCTURES

 **legrand**<sup>®</sup>

# LIGHTING

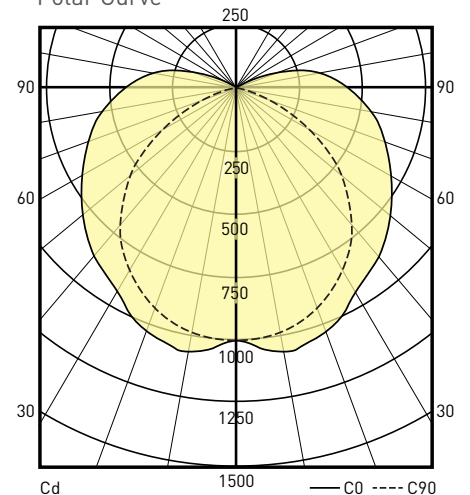
for demanding applications



**It is important to select lighting solutions that are reliable, durable and perform in all weather conditions and environments. The Legrand WP2 LED Weatherproof Batten is designed to suit demanding applications including high humidity, damp, dusty and/or corrosive locations.**

The WP2 LED offers the complete solution in commercial and industrial applications for mains, emergency and Axiom wired/wireless monitored emergency.

Polar Curve



685070 - WP2L12 LED Batten 4K Mains  
ULOR: 10%  
DLOR: 90%

This polar curve diagram shows the light distribution of the WP2 LED weatherproof batten.



Manufactured  
in Australia

# THE SMART WP2 LED

## weatherproof batten with superior optics

### LED LIFE SPAN

- 50,000 hrs L70B50 at ambient temperature up to 40°C
- 50,000 hrs L80B50 at ambient temperature up to 25°C

### TOGGLES

Quick release gear tray toggles for fast installation

### LED OPTICS

Dedicated LED engine for optimum light output and distribution. 4000K colour temperature LEDs with CRI > 80

### CONTROL OPTIONS

Wide range of gear options:

- Mains
- Standalone emergency
- Monitored emergency
- Options of integral ON/OFF sensor or Auto-Occupancy sensor

### BUSBAR INSTALLATION

DALI options available for ease of integrating onto the Legrand LBplus busbar for a complete lighting management and power distribution solution (see p.5)

### LENGTH

Available in:

- 2 foot 2,200lm - WP2L6
- 4 foot 3,900lm - WP2L12

### BODY

Glass Reinforced Polyester (GRP) body for corrosion resistance and high strength

### CLIPS

316 stainless steel hinging diffuser clips ideal for corrosive environments

### IMPACT RATING

IK 08 impact resistant polycarbonate diffuser and body

### GASKET

Silicone gasket and glands ensuring IP65 protection



# ENERGY SAVINGS

## in stairwells with auto-occupancy sensor

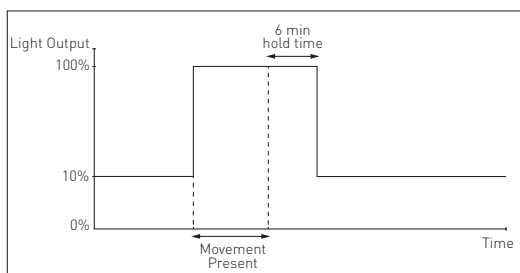
High maintenance and operational costs mean that facility and building managers are continuously searching for ways to reduce energy costs especially in luminaires that have high energy usage.

Lighting in intermittently occupied areas, such as emergency exit stairwells, when controlled with the integrated auto-occupancy sensor creates potential cost savings without sacrificing safety or performance.

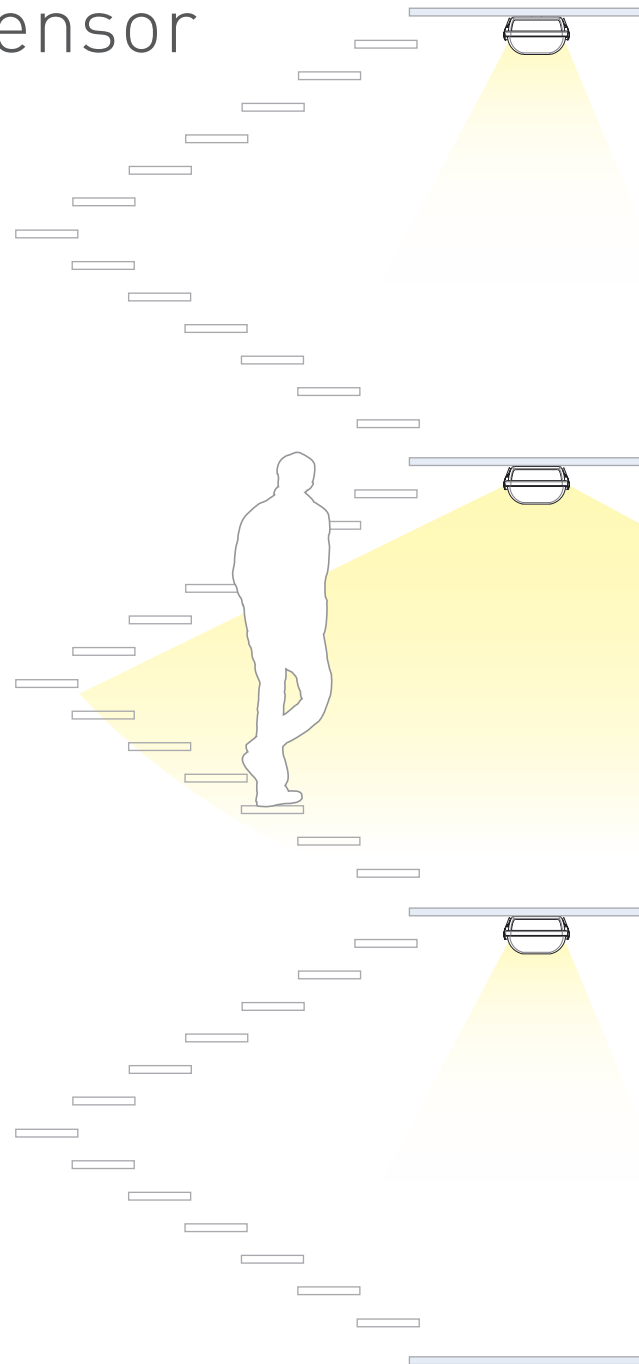
### Application Example

Constant illumination is required in stairwells, however, in majority of cases stairwells are not frequently used resulting in unnecessary power being consumed. Installing WP2 LED battens with an integrated auto-occupancy sensor can significantly reduce power consumption down to 5.1W\* with up to **83%** power savings.

### Auto-occupancy sensor function



WP2L6 (2 foot, 2,000lm) mains consumes 5.1W in auto-occupancy mode  
WP2L12 (4 foot, 4,000lm) mains consumes 8.9W in auto-occupancy mode



Automatic dimming in stairwells via the auto-occupancy sensor

\*Power consumption of WP2L6 (2 foot, 2,000lm) mains with auto-occupancy function

# IMPROVED LIGHTING

## for car parks with LED lighting

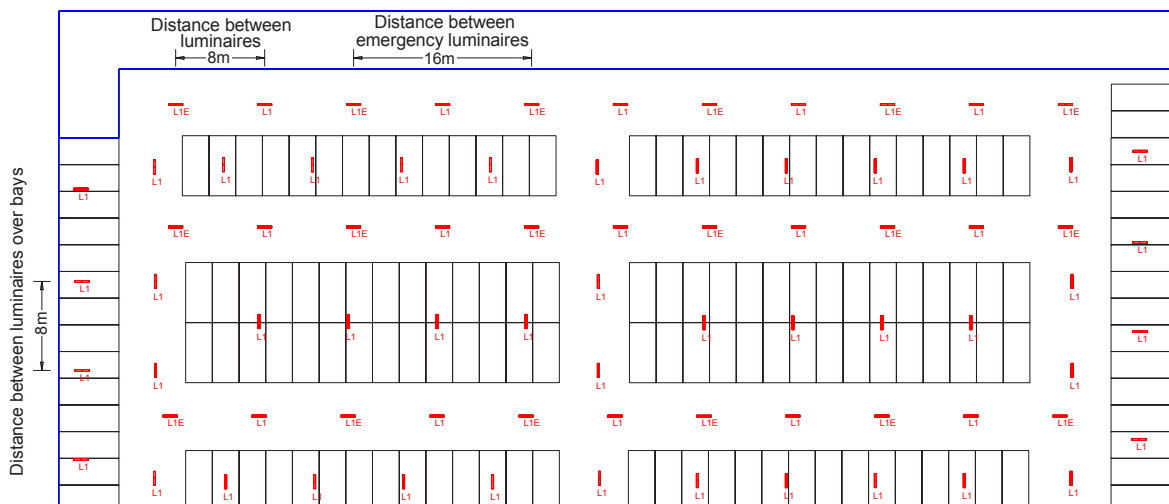
Lighting plays a significant role in the safety and security of users and their vehicles in car parks, by installing quality lighting, users will be reassured and environments improved.

Installing the energy efficient WP2 LED luminaire in a car park will provide superior lighting, safety and security while reducing energy and maintenance costs.

Significant energy savings and longer maintenance cycles can be achieved by using WP2 LED luminaires. With its superior optics greater spacings can be achieved resulting in lower installation costs.

### Application example:

Spacing layout to achieve 40 lux maintained average (as per AS/NZS1680) in an open car park with installation height of 3m with emergency units (as per AS/NZS2293) also indicated.



# LBPLUS BUSBAR

the light and power solution  
that comes from above



**LBplus: One integrated busbar trunking system providing both lighting management and power distribution .**

When combined with the WP2 LED battens, the LBplus busbar provides full flexibility in creating specific lighting designs to suit a wide range of applications.

Save on installation costs by fitting the WP2 LED luminaires directly onto the LBplus busbar trunking system.

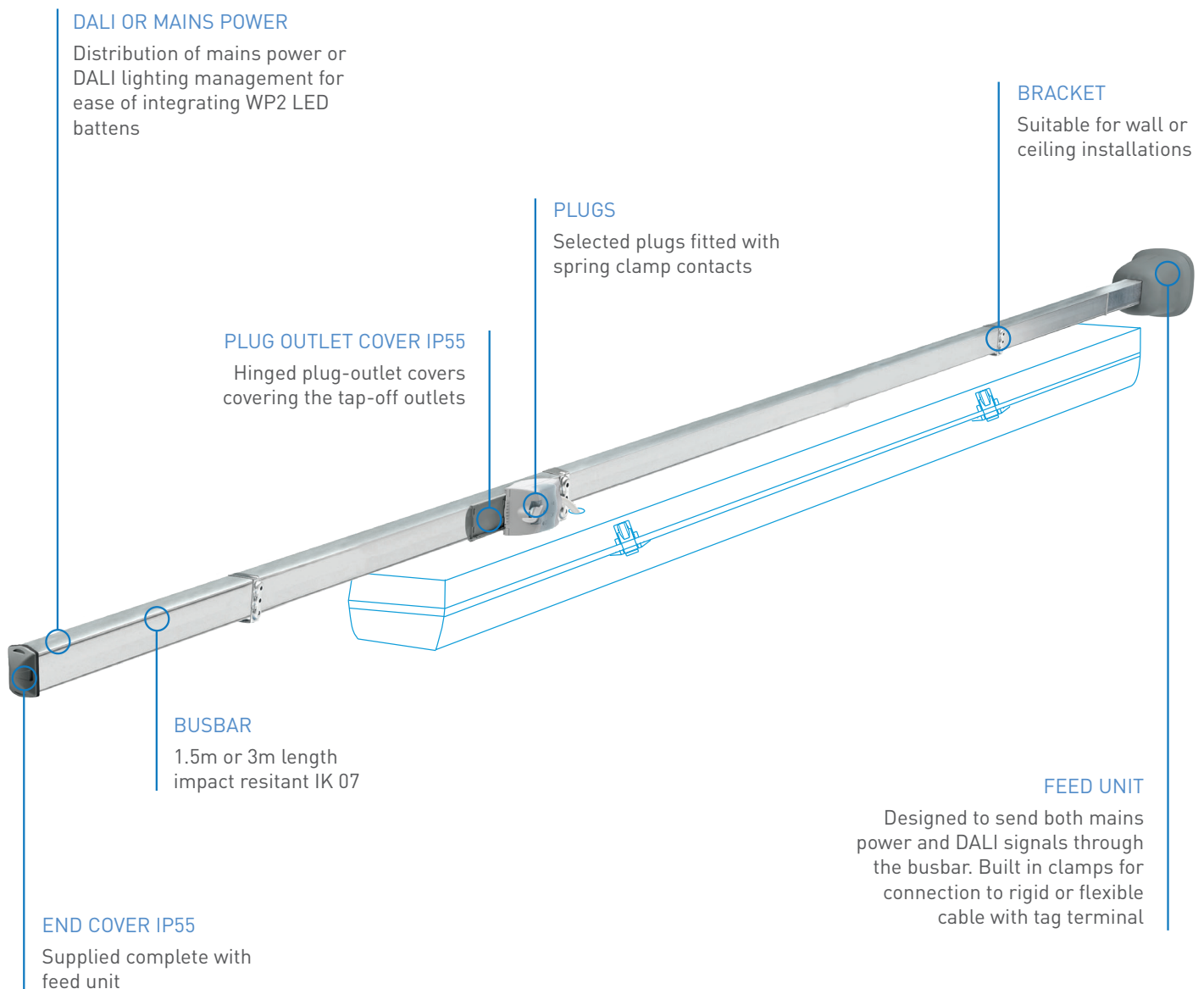
**Take control of your lighting by installing the LBplus busbar with DALI option for full lighting and power flexibility.**

**Ideal for:**

- Car parks
- Sports facilities
- Warehouses
- Retail
- Production facilities

# SIMPLIFIED INSTALLATION

for increased performance



**DALI OR MAINS POWER**

Distribution of mains power or DALI lighting management for ease of integrating WP2 LED battens

**BRACKET**

Suitable for wall or ceiling installations

**PLUGS**

Selected plugs fitted with spring clamp contacts

**PLUG OUTLET COVER IP55**

Hinged plug-outlet covers covering the tap-off outlets

**BUSBAR**

1.5m or 3m length  
impact resistant IK 07

**FEED UNIT**

Designed to send both mains power and DALI signals through the busbar. Built in clamps for connection to rigid or flexible cable with tag terminal

**END COVER IP55**

Supplied complete with feed unit

# WP2 LED Weatherproof Battens



685080/LI

685050/LI

685083/LI

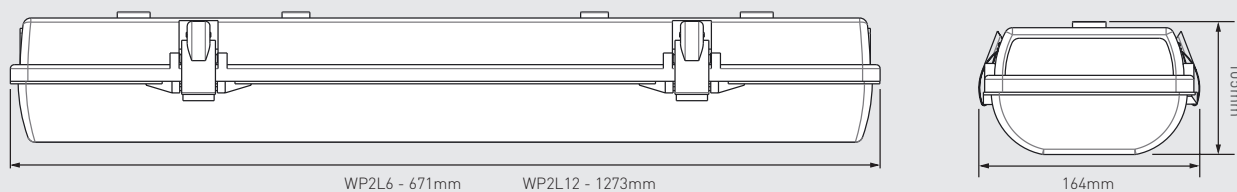
Cat.No	Mains
685040	WP2L6 2,200lm 2ft length non-dimmable, mains only
685070	WP2L12 3,900lm 4ft length non-dimmable, mains only
	<b>Auto-Occupancy sensor</b>
685043	WP2L6 2,200lm 2ft length mains only
685073	WP2L12 3,900lm 4ft length mains only
	<b>On/Off sensor</b>
685041	WP2L6 2,200lm 2ft length non-dimmable, mains only
685071	WP2L12 3,900lm 4ft length non-dimmable, mains only
	<b>DALI</b>
685042	WP2L6 2,200lm 2ft length DALI dimmable, mains only
685072	WP2L12 3,900lm 4ft length DALI dimmable, mains only
	<b>SPU - Switch Maintained</b>
	<b>SPU</b>
685050/LI	WP2L6 2,200lm 2ft length emergency, Lithium batteries, non-dimmable
685080/LI	WP2L12 3,900lm 4ft length emergency, Lithium batteries, non-dimmable
	<b>SPU + Auto-Occupancy sensor</b>
685053/LI	WP2L6 2,200lm 2ft length emergency, Lithium batterie
685083/LI	WP2L12 3,900lm 4ft length emergency, Lithium batteries
	<b>SPU + On/Off sensor</b>
685051/LI	WP2L6 2,200lm 2ft length emergency, Lithium batteries, non-dimmable
685081/LI	WP2L12 3,900lm 4ft length emergency, Lithium batteries, non-dimmable

Cat.No	Monitored SPU - Switch Maintained
	<b>Galaxy</b>
659066/LI	WP2L6 2,200lm 2ft length emergency, Lithium batteries, non-dimmable
659068/LI	WP2L12 3,900lm 4ft length emergency, Lithium batteries, non-dimmable
	<b>Galaxy + Auto-Occupancy sensor</b>
685063/LI	WP2L6 2,200lm 2ft length emergency, Lithium batteries, non-dimmable
685093/LI	WP2L12 3,900lm 4ft length emergency, Lithium batteries, non-dimmable
	<b>Galaxy + On/Off sensor</b>
685061/LI	WP2L6 2,200lm 2ft length emergency, Lithium batteries, non-dimmable
685091/LI	WP2L12 3,900lm 4ft length emergency, Lithium batteries, non-dimmable
	<b>Axiom</b>
685060/LI	WP2L6 2,200lm 2ft length emergency, Lithium batteries, non-dimmable
685090/LI	WP2L12 3,900lm 4ft length emergency, Lithium batteries, non-dimmable
	<b>Axiom + Auto-Occupancy sensor</b>
685063/LI	WP2L6 2,200lm 2ft length emergency, Lithium batteries
685093/LI	WP2L12 3,900lm 4ft length emergency, Lithium batteries
	<b>Axiom + On/Off sensor</b>
685061/LI	WP2L6 2,200lm 2ft length emergency, Lithium batteries, non-dimmable
685091/LI	WP2L12 3,900lm 4ft length emergency, Lithium batteries, non-dimmable
	<b>DALI</b>
685050/D	WP2L6 2,300lm 2ft length emergency, Lithium batteries, DALI dimmable
685080/D	WP2L12 3,000lm 4ft length emergency, Lithium batteries, DALI dimmable

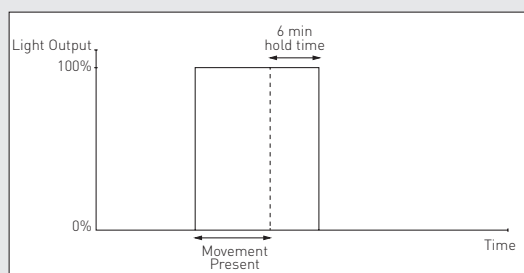


# Specifications

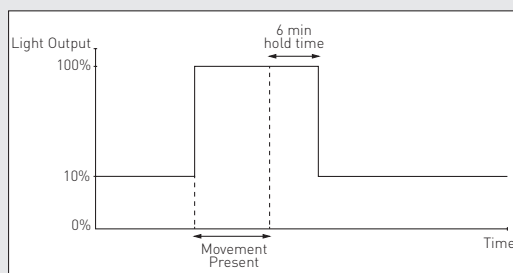
## ■ Dimensions



## ■ On/Off sensor function



## ■ Auto-occupancy sensor function



WP2L6 mains consumes 5.1W in Auto-occupancy mode  
 WP2L12 mains consumes 8.9W in Auto-occupancy mode

## ■ Emergency classification

	C0	C90
WP2L6	D80	C80
WP2L12	D125	C125

	C0	C90
WP2L6 DALI	D100	C80
WP2L12 DALI	D125	C100

## ■ Maximum spacings between luminaires for 0.2 lux (Australia)

Mounting height (m)	2.7	3	3.3	3.6	4	4.5
C80	14.4	15.1	15.8	16.5	17.3	18.3
C100	14.8	16	16.8	17.5	18.4	19.4
C125	14.8	16.5	17.1	18.5	19.5	20.6
D80	14.8	16.5	18.1	19.8	22	24.7
D100	14.8	16.5	18.1	19.8	22	24.7
D125	14.8	16.5	18.1	19.8	22	24.7

As per AS/NZS 2293:2018

## ■ Maximum spacings between luminaires for 0.2 lux (New Zealand)

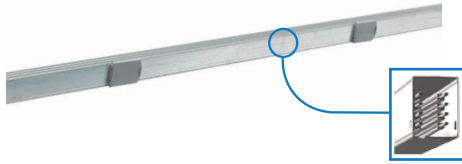
Mounting height (m)	2.7	3	3.3	3.6	4	4.5
C80	9.3	9.7	10	10.3	10.7	11
C100	9.9	10.3	10.7	11.1	11.5	12
C125	10.5	11	11.5	11.9	12.4	12.9
D80	12.9	13.3	13.6	13.8	14.1	14.4
D100	14	14.4	14.8	15.1	15.4	15.8
D125	14.8	15.7	16.1	16.4	16.8	17.3

As per AS/NZS 2793:2018

## LBplus Lighting busbar



0 026 35



75240101



75003000



75201002



75005000

Pack	Cat.Nos	Installation Brackets
12	75003000	Brackets for wall or ceiling installation of busbar line. Also used for installing the WP2 LED luminaire onto the busbar line, two brackets required for each WP2 LED luminaire. Rated to hold up to 60kg each.
6	75240101	<b>Straight length Busbar</b> <b>Mains</b> 3m length 3 phase 63A with 2 x outlets on each side
	75240111	1.5m length 3 phase 63A with 1 x outlet on each side
6	75220102D	<b>Mains + DALI</b> 3m length 3 phase 40A with 4 x outlets on each side
	75220111D	1.5m length 3 phase 40A with 1 x outlet on each side
1	75241002	<b>Feed unit</b> <b>Mains</b> 3 phase feed unit and end cover for 63A busbar
1	75221002D	<b>Mains + DALI</b> 3 phase + 2 x DALI conductor feed unit and end cover for 40A busbar
10	75005000	<b>Plugs with selection phase</b> <b>Mains</b> 16A phase selection plug without cable
	75005006D	<b>Mains + DALI</b> 16A phase selection and DATA BUS with 1m cable
1	002635	<b>DALI/KNX Gateway</b> For controlling up to 64 DALI drivers

To make a complete busbar line: order the required straight length of busbar (a combination of 3m or 1.5m length), installation brackets for busbar and WP2 LED luminaire, feed unit for each run and the required number of plugs for each WP2 LED luminaire.

Other installation methods and flexible joints available. Contact us for more information.

# Efficient distribution of power and management of lighting



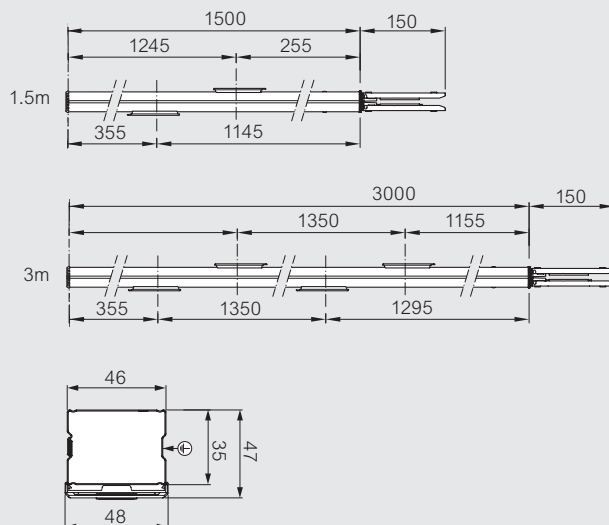
# SPECIFICATIONS

## LBplus

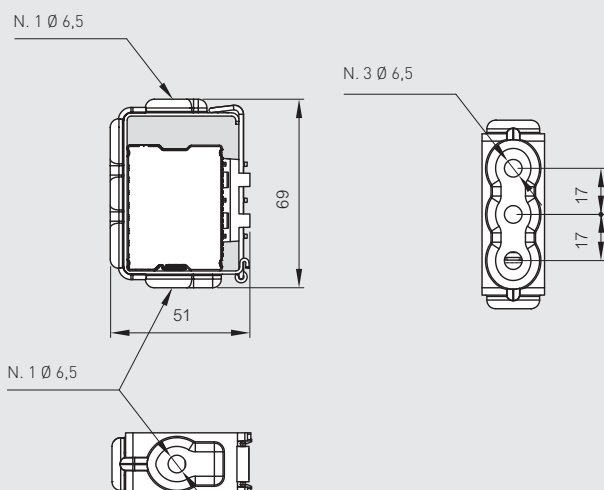
### ■ Dimensions

LBplus busbar

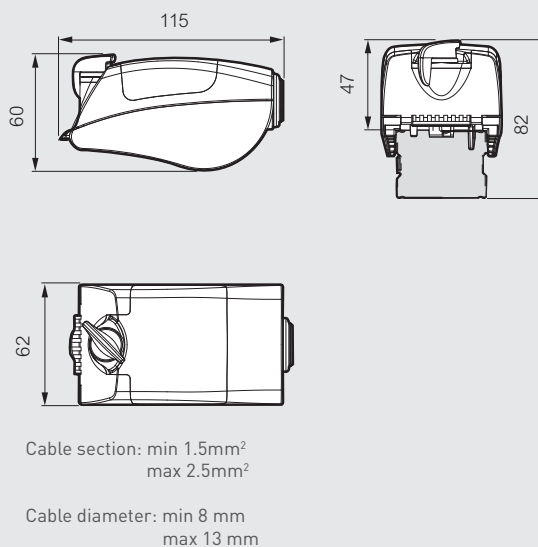
- In compliance with standard IEC 61439-6
- Degree of Protection IP55
- Impact resistance IK07
- Rated current In 63A
- Straight lengths material: Galvanised steel



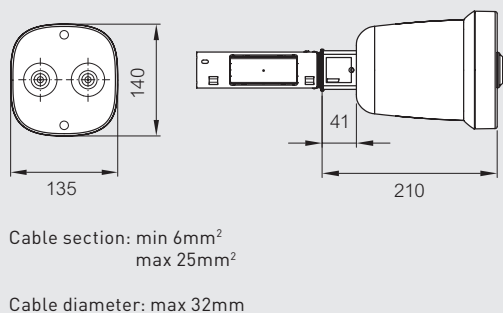
### ■ Brackets



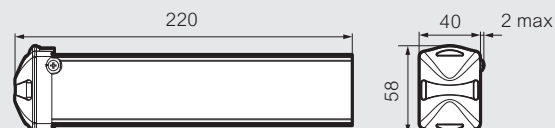
### ■ Plugs 16 A



### ■ Feed unit



### ■ Connection End cover



Legrand is an active member of



Legrand Australia  
1300 369 777  
[www.legrand.com.au](http://www.legrand.com.au)

Legrand New Zealand  
0800 476 009  
[www.legrand.co.nz](http://www.legrand.co.nz)