

# Aluminium White Single Adjustable Wall Pillar Lights

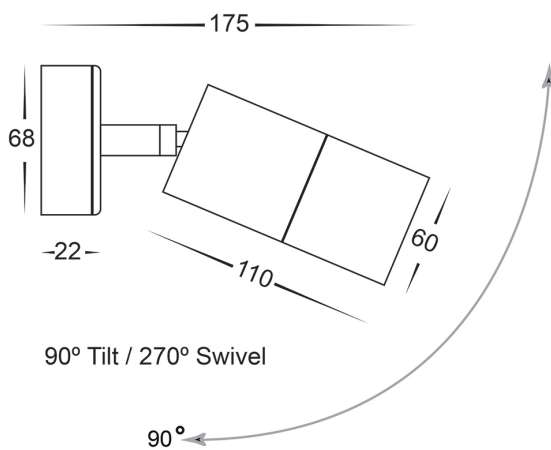


## PRODUCT SPECIFICATIONS

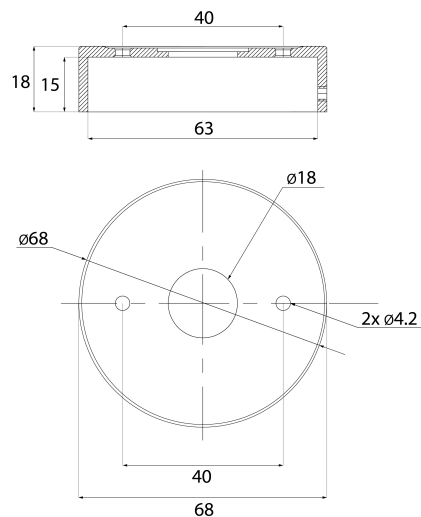
**Name:** Tivah  
**Material:** Aluminium  
**Colour:** Poly powder coated white  
**IP Rating:** IP65  
**Lamp Base:** GU10 or MR16  
**CRI:** ≥80  
**Wiring:** Parallel  
**Dimmable:** No  
**Warranty:** 2 Years Replacement\*\*



## DIMENSIONS



## MOUNTING BRACKET



## APPROVALS



## IP RATING



## COLOUR TEMPERATURE

Tri-Colour By Havit

3000K

4000K

5500K



## Product Ordering

IMAGE	PART NUMBER	COLOUR TEMP	LUMENS	INPUT	BEAM ANGLE	INCLUDED LED
	<b>HV1235T</b>	3000K	240-560lm	240v	60°	<b>9 in 1 Tri-Colour</b> 3/5/7w GU10 LED
		4000K	255-595lm			
		5500K	270-630lm			
	<b>HV1237GU10T</b>	3000K	270lm	240v	120°	<b>Tri-Colour</b> 5w GU10 LED
		4000K	285lm			
		5500K	300lm			
	<b>HV1237MR16T</b>	3000K	270lm	12v DC	120°	<b>Tri-Colour</b> 5w MR16 LED
		4000K	285lm			
		5500K	300lm			

12v DC models must be used with suitable 12v DC LED Driver

\* Lumen output measured at source

\*\* See Warranty Terms and Conditions for more information

For more information contact Havit Lighting

ADDRESS:  
 143 Beauchamp Road  
 Matraville NSW 2036  
 Australia

Tel: 02 9381 8300  
 Fax: 02 9666 8881  
 Email: sales@havitt.com.au  
 web: www.havitt.com.au