

Titanium Aluminium Up & Down Wall Pillar Lights

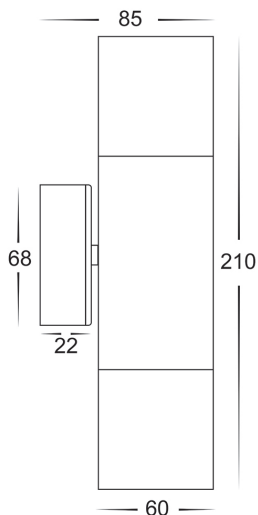


PRODUCT SPECIFICATIONS

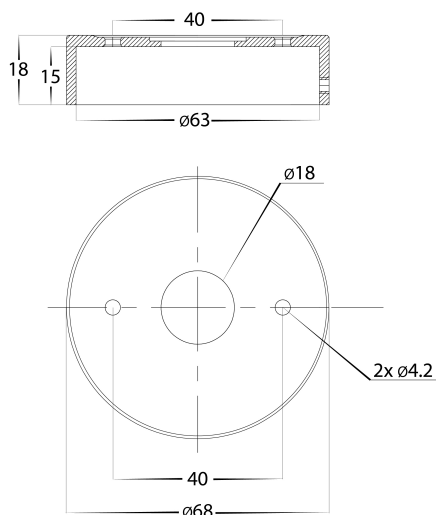
Name: Tivah
Material: Aluminium
Colour: Titanium
IP Rating: IP65
Lamp Base: GU10 or MR16
CRI: ≥80
Wiring: Parallel
Dimmable: No
Warranty: 2 Years Replacement**



DIMENSIONS



MOUNTING BRACKET



APPROVALS



IP RATING



COLOUR TEMPERATURE

Tri-Colour By Havit

3000K

4000K

5500K



Product Ordering

IMAGE	PART NUMBER	COLOUR TEMP	LUMENS	INPUT	BEAM ANGLE	INCLUDED LED
	HV1085T	3000K 4000K 5500K	2x 240-560lm 2x 255-595lm 2x 270-630lm	240v	60°	9 in 1 Tri-Colour 2x 3/5/7w GU10 LED
	HV1087GU10T	3000K 4000K 5500K	2x 270lm 2x 285lm 2x 300lm	240v	120°	Tri-Colour 2x 5w GU10 LED
	HV1087MR16T	3000K 4000K 5500K	2x 270lm 2x 285lm 2x 300lm	12v DC	120°	Tri-Colour 2x 5w MR16 LED

12v DC models must be used with suitable 12v DC LED Driver

* Lumen output measured at source

** See Warranty Terms and Conditions for more information

For more information contact Havit Lighting

ADDRESS:
143 Beauchamp Road
Matraville NSW 2036
Australia

Tel: 02 9381 8300
Fax: 02 9666 8881
Email: sales@havit.com.au
web: www.havit.com.au