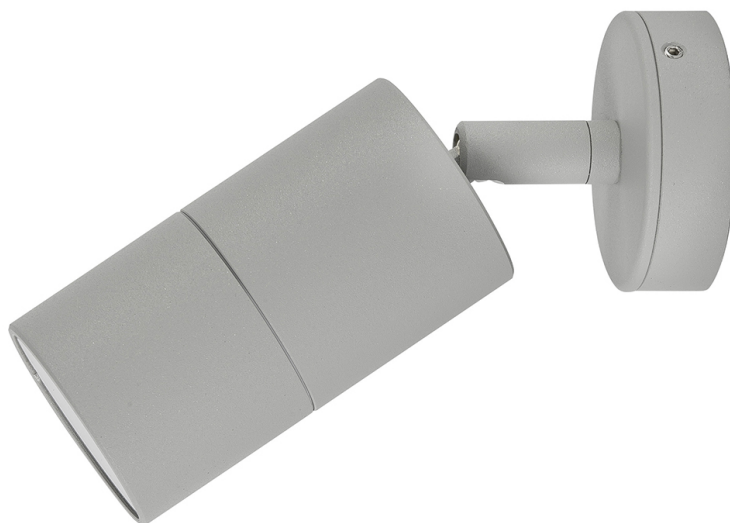


# Aluminium Silver Single Adjustable Wall Pillar Lights

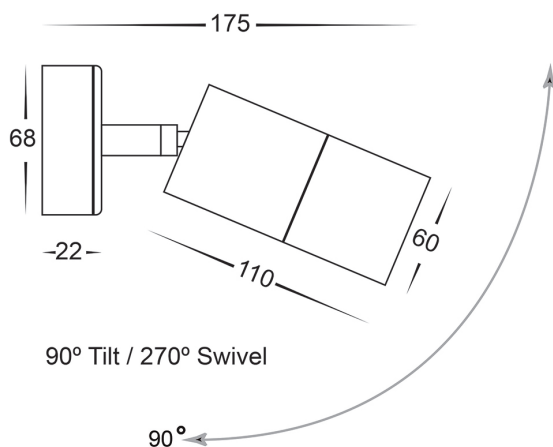


## PRODUCT SPECIFICATIONS

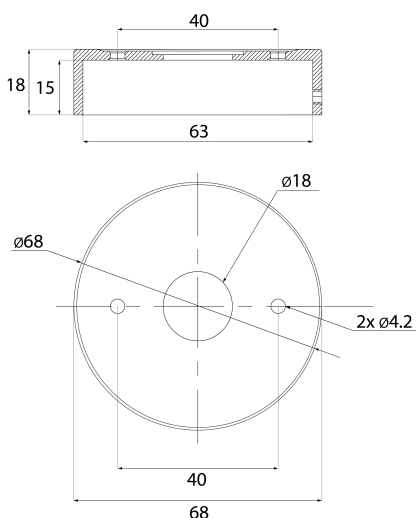
- Name:** Tivah
- Material:** Aluminium
- Colour:** Poly powder coated silver
- IP Rating:** IP65
- Lamp Base:** GU10 or MR16
- CRI:** ≥80
- Wiring:** Parallel
- Dimmable:** No
- Warranty:** 2 Years Replacement\*\*



## DIMENSIONS



## MOUNTING BRACKET



## APPROVALS



## IP RATING



## COLOUR TEMPERATURE

Tri-Colour By Havit

3000K

4000K

5500K



## Product Ordering

IMAGE	PART NUMBER	COLOUR TEMP	LUMENS	INPUT	BEAM ANGLE	INCLUDED LED
	<b>HV1245T</b>	3000K 4000K 5500K	240-560lm 255-595lm 270-630lm	240v	60°	<b>9 in 1 Tri-Colour</b> 3/5/7w GU10 LED
	<b>HV1247GU10T</b>	3000K 4000K 5500K	270lm 285lm 300lm	240v	120°	<b>Tri-Colour</b> 5w GU10 LED
	<b>HV1247MR16T</b>	3000K 4000K 5500K	270lm 285lm 300lm	12v DC	120°	<b>Tri-Colour</b> 5w MR16 LED

12v DC models must be used with suitable 12v DC LED Driver

\* Lumen output measured at source

\*\* See Warranty Terms and Conditions for more information

For more information contact Havit Lighting

ADDRESS:  
143 Beauchamp Road  
Matraville NSW 2036  
Australia

Tel: 02 9381 8300  
Fax: 02 9666 8881  
Email: sales@havit.com.au  
web: www.havit.com.au