

# Aluminium Large Square Up & Down Wall Lights

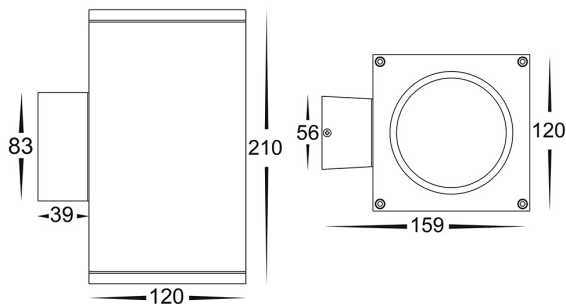


## PRODUCT SPECIFICATIONS

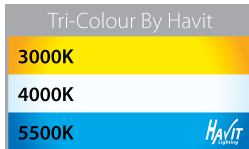
**Name:** Porter Square  
**Material:** Aluminium  
**Colour:** Poly powder coated black or white  
**IP Rating:** IP54  
**Lamp Base:** Built in LED  
**CRI:** ≥80  
**Wiring:** Parallel  
**Dimmable:** Yes  
**Warranty:** 2 Years Replacement\*\*



## DIMENSIONS



## COLOUR TEMPERATURE



## IP RATING



## APPROVALS



## Product Ordering

IMAGE	PART NUMBER	COLOURTEMP	LUMENS	INPUT	BEAM ANGLE	INCLUDED LED
	<b>HV3629T-BLK-SQ</b>	3000k 4000k 5500k	2x 1200lm 2x 1275lm 2x 1350lm	240v AC	60°	<b>Tri-Colour</b> 2x 15w Built in LED
	<b>HV3629T-WHT-SQ</b>	3000k 4000k 5500k	2x 1200lm 2x 1275lm 2x 1350lm	240v AC	60°	<b>Tri-Colour</b> 2x 15w Built in LED

\* Lumen output measured at source

\*\* See Warranty Terms and Conditions for more information

For more information contact Havit Lighting

ADDRESS:  
 143 Beauchamp Road  
 Matraville NSW 2036  
 Australia

Tel: 02 9381 8300  
 Fax: 02 9666 8881  
 Email: sales@havit.com.au  
 web: www.havit.com.au