

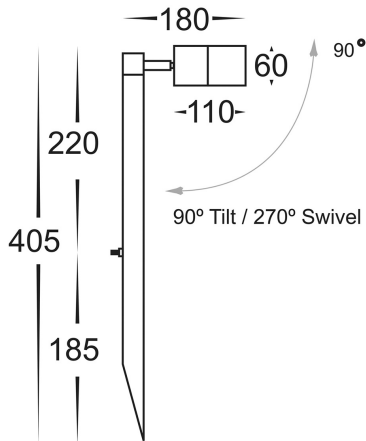
# 316 Stainless Steel LED Garden Spike Light

## PRODUCT SPECIFICATIONS

**Name:** Tivah  
**Material:** 316 Stainless Steel  
**Colour:** Stainless Steel  
**IP Rating:** IP65  
**Lamp Base:** MR16  
**CRI:** ≥80  
**Cable Length:** 2000mm  
**Wiring:** Parallel  
**Dimmable:** No  
**Warranty:** 2 Years Replacement\*\*

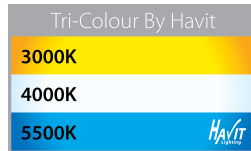


## DIMENSIONS



Compatible with  
**Tri-Colour 9in1**  
 3w, 5w, 7w  
 12v or 24v LED Globe

## COLOUR TEMPERATURE



## IP RATING



## APPROVALS



## Product Ordering

IMAGE	PART NUMBER	COLOURTEMP	LUMENS	INPUT	BEAM ANGLE	INCLUDED LED
	<b>HV1407T-SS316</b>	3000K 4000K 5500K	270lm 285lm 300lm	12v DC	120°	<b>Tri-Colour</b> 5w MR16 LED

Must be used with suitable 12v DC LED driver

\* Lumen output measured at source

\*\* See Warranty Terms and Conditions for more information

For more information contact Havit Lighting

ADDRESS:  
 143 Beauchamp Road  
 Matraville NSW 2036  
 Australia

Tel: 02 9381 8300  
 Fax: 02 9666 8881  
 Email: sales@havit.com.au  
 web: www.havit.com.au