

Aluminium Silver Fixed Down Wall Pillar Lights

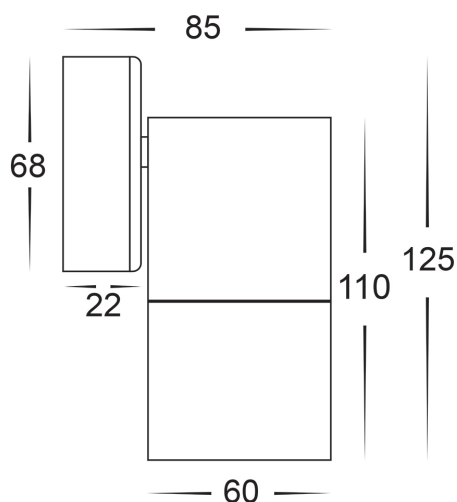


PRODUCT SPECIFICATIONS

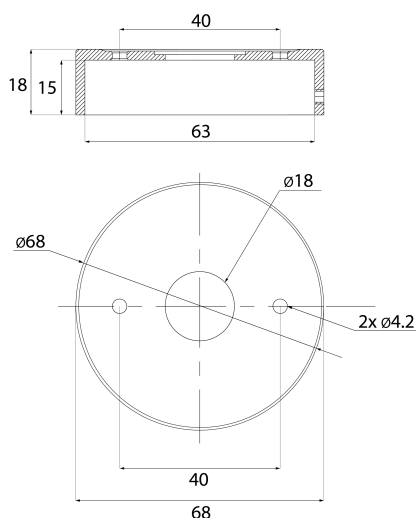
Name: Tivah
Material: Aluminium
Colour: Poly powder coated silver
IP Rating: IP65
Lamp Base: GU10 or MR16
CRI: ≥80
Wiring: Parallel
Dimmable: No
Warranty: 2 Years Replacement**



DIMENSIONS



MOUNTING BRACKET



APPROVALS



IP RATING



COLOUR TEMPERATURE

Tri-Colour By Havit

3000K

4000K

5500K



Product Ordering

IMAGE	PART NUMBER	COLOUR TEMP	LUMENS	INPUT	BEAM ANGLE	INCLUDED LED
	HV1145T	3000K	240-560lm	240v	60°	9 in 1 Tri-Colour 3/5/7w GU10 LED
		4000K	255-595lm			
		5500K	270-630lm			
	HV1147GU10T	3000K	270lm	240v	120°	Tri-Colour 5w GU10 LED
		4000K	285lm			
		5500K	300lm			
	HV1147MR16T	3000K	270lm	12v DC	120°	Tri-Colour 5w MR16 LED
		4000K	285lm			
		5500K	300lm			

12v DC models must be used with suitable 12v DC LED Driver

* Lumen output measured at source

** See Warranty Terms and Conditions for more information

For more information contact Havit Lighting

ADDRESS:
 143 Beauchamp Road
 Matraville NSW 2036
 Australia

Tel: 02 9381 8300
 Fax: 02 9666 8881
 Email: sales@havit.com.au
 web: www.havit.com.au