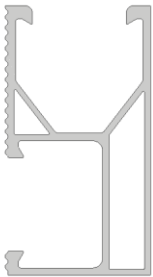
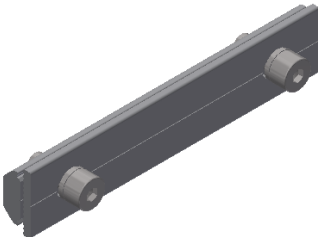
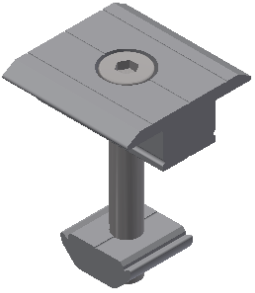
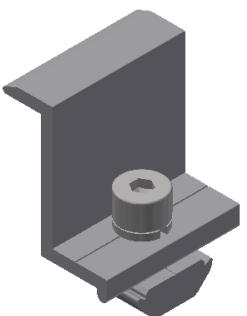
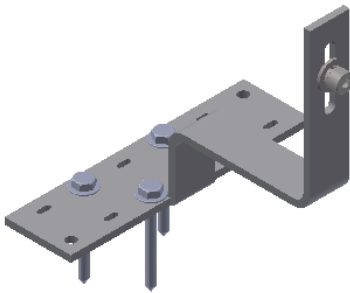


2. Installation Tools

- 6mm Inner hexagon spanner;
- Electrical tool (Solely used to fasten M6 hexagon self-drilling tapping screws and pan head screws with cross recessed);
- 9, 10, 17, 19 mm open spanner (solely used to fasten bolts that help hang solar panels);
- Angle grinder;
- Power line;
- If necessary, prepare small pieces of wood in case interfaces don't level with each other.

3. Components

Components		
 <p><i>MA Rail</i></p>	 <p><i>Splice for MA Rail</i></p>	 <p><i>Inter Clamp Kit (MA)</i></p>
 <p><i>End Clamp Kit (MA)</i></p>	 <p><i>Standard Tile Hook</i></p>	