

CKTRI

LED Tri-CCT Oyster Conversion Kits

Globes - LED



Product Features:

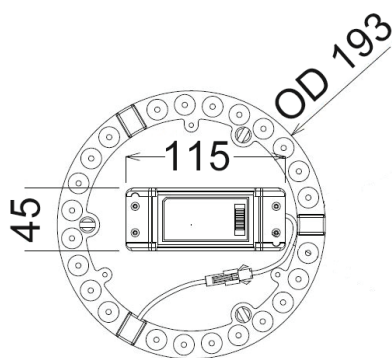
- Input voltage: 220-240V AC 50Hz
- Constant current LED driver included
- Clear diffuser: PC
- Heatsink: PCB & aluminium
- Tri-CCT (3000K / 4000K / 5000K) switch on driver
- LED chips: SMD2835
- Power factor: >0.8
- CRI: 80
- Not suitable for dimming
- 2 wire input
- Suitable for 2 way switching
- Suitable for use with PIR or Microwave sensors
- Ambient temp: -20 to 45°C
- Suitable for commercial use

20,000hr
Lifetime

120°
Beam Angle

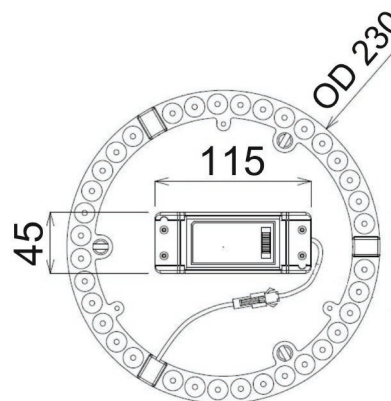
IP20
Rated

2YEAR
Replacement
Warranty



Internal Diameter: 153

CKTRI01



Internal Diameter: 190

CKTRI02 & CKTRI03

PART NO.	KELVIN	LUMENS	WATT	CRI	MOUNTING PLATE	WEIGHT	BOX	CARTON QTY
CKTRI01		1000lm/ 1200lm/ 1150lm	12W	80	Ø193mm	0.2kg	20x20x3cm	1/60
CKTRI02	3000K/ 4000K/ 5000K	1700lm/ 1800lm/ 1750lm	18W	80	Ø230mm	0.25kg	23.5x23.5x3cm	1/60
CKTRI03		2150lm/ 2400lm/ 2250lm	24W	80	Ø230mm	0.25kg	23.5x23.5x3cm	1/60