



HDAPWHT



HDAPSS



HDAPSSS

FEATURES

Automatic hand dryer with sensor operation. Engineered to suit washrooms requiring low noise levels. Streamlined, minimal design for smaller environments. Durable steel casing with theft resistant torx screws. Tamper-proof & safe intake opening. Pivot bracket inside cover for ease of installation.

INSTALLATION OPTIONS

Electrical connection by cord & plug (as supplied). Can be direct wired by an electrician. Refer to Operating Instructions and Parts Manual for detailed instructions.

SPECIFICATION

- Electrical Supply: AC, 220-240V, 50/60Hz, 1000 Watt, 4.A
- Motor: 100 Watt, Dual Ball Bearings
- RPM: 2,800
- Element: 900 Watt
- Air Speed: 43.2 km/hr
- Noise Level: 55.1 dB-A @2M
- Drying Time: Under 30 seconds
- Weight: 4.6kg (Shipping 5.2kg)
- Certificate of Suitability No: GMA-500004
- Electrical Safety Requirement: AS/NZS 60335.2.23:2004
- Protection Category: IPX1

FINISH


Unit is supplied in various finishes. Specify finish option by adding appropriate code number suffix:

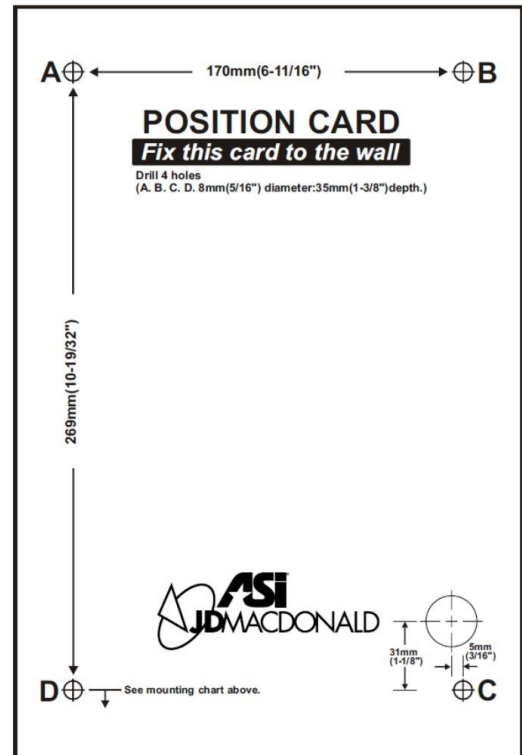
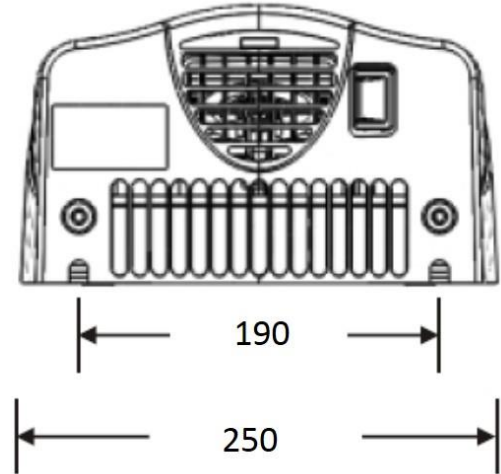
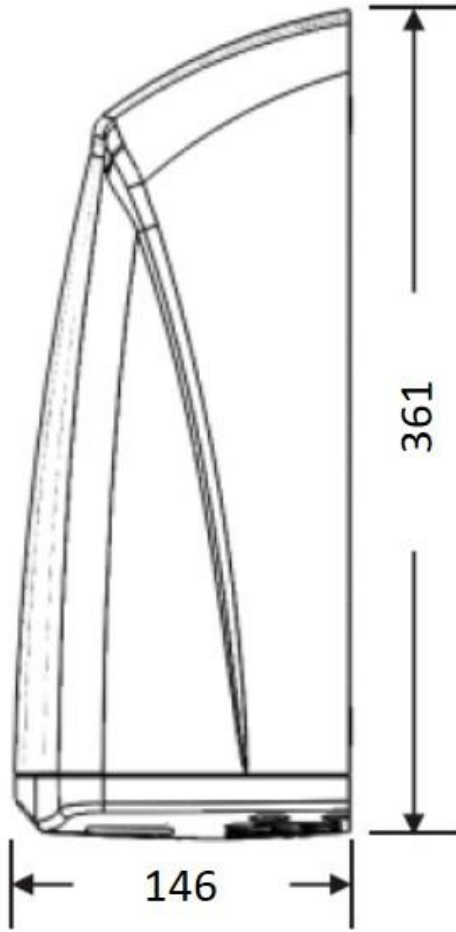
| MODEL | COVER | FINISH |
|---------|---|----------------------|
| HDAPWHT | White powder coated formed steel, 1.2mm thick | Powder coated, white |
| HDAPSS | Stainless steel, 1.2mm thick | Polished (bright) |
| HDAPSSS | Stainless steel, 1.2mm thick | Satin |

WARRANTY

1 year parts and labour. Please refer to our website to view our full warranty statement: www.asijdmacdonald.com.au

Applause Automatic Hand Dryer shall be Model No. HDAPxxx as manufactured by ASI JD MacDonald.

 All ASI JD MacDonald accessible compliant products when installed must be in accordance with AS1428 to ensure the specified product is complying with all washroom specification requirements.



| RECOMMENDED INSTALLATION HEIGHTS* | |
|-----------------------------------|--------|
| Men's washroom | 1270mm |
| Women's washroom | 1194mm |
| Children's washroom ages 4-7 | 889mm |
| Children's washroom ages 8-10 | 991mm |
| Children's washroom ages 11-13 | 1092mm |
| Children's washroom ages 14-16 | 1194mm |
| Accessible Compliant washroom | 1016mm |

*From bottom edge of dryer above finished floor (AFF)

Please use installation template supplied with product before commencing installation