

ELD V3 - EARTH LEAKAGE RELAY

Compliant with AS/NZS 2081:2011, Section 6

Applications

The Ampcontrol ELD V3 earth leakage relay has been designed and approved for use on earth fault limited systems, namely coal mining applications, providing earth leakage protection (earth fault protection) as per AS/NZS 2081:2011. The relay is also suitable for other applications where equipment or system earth leakage protection is required.



Features

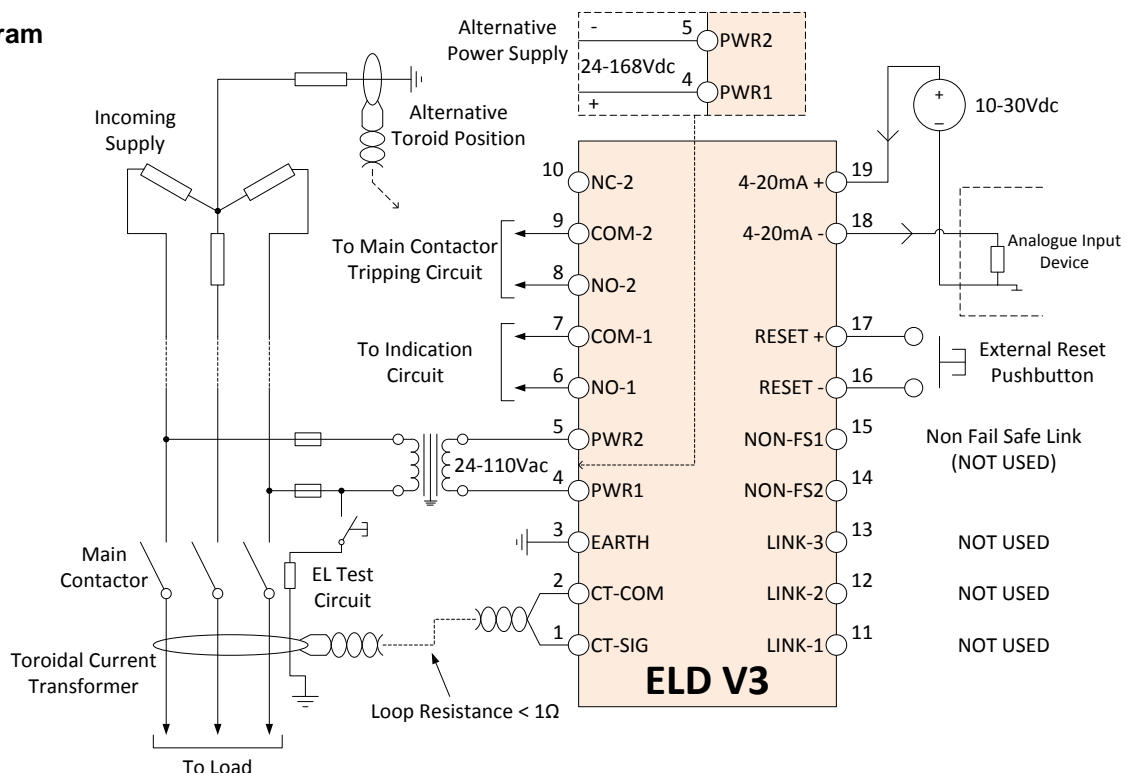
- AS/NZS 2081:2011 (Section 6) compliant
- Fail safe operation
- Continual monitoring of the toroid
- Adjustable trip level and time delay settings
- Bar graph to monitor leakage
- 4-20mA output for remote indication.
- Maximum leakage since last power up/reset stored in memory
- AC or DC supply operation.
- Functions normally for two (2) seconds during extreme power dip or power loss

Product description

The ELD V3 relay utilises a microprocessor design, providing a definite time operating characteristic with adjustable trip sensitivity and time delay. The relay latches when tripped and provides normally open and change-over relay contacts. The relay supports an external reset switch, and a 4-20mA interface allows external monitoring.

The ELD V3 Earth Leakage Relay is housed in a stainless steel case and can be either 'DIN Rail' or 'Panel' mounted through a 69 x 39mm IP56 ingress protected cut out. An attachment to prevent unauthorised adjustment of the trip settings is available separately.

Diagram



SPECIFICATIONS

Supply Voltage		
<i>Voltage</i>	24-110VAC +/- 20%, 50Hz 24-168VDC +/- 10%	
<i>Power Consumption</i>	< 3W	
<i>Operating Temperature</i>	0 to 60°C	
<i>Humidity</i>	Between 10% relative humidity and the dew point, non-condensing	
Operating Frequency		
<i>Frequency</i>	50Hz	
<i>Accuracy</i>	5% @ 50Hz	
Relay Contacts		
<i>Contacts</i>	1 x NO / 1 x CO	
<i>Ratings</i>	250V, 1.6A, 400VA	
<i>Relay to Toroid</i>	< 1Ω	
4-20mA Output		
<i>4-20mA Output</i>	The 'Loop Powered' current represents the leakage current as a % of the trip level. 4mA => 0% leakage, 20mA => 120% leakage (100% = 17.33mA)	
<i>Loop Supply Voltage</i>	10 – 30VDC	
<i>Max. Loop Resistance</i>	700Ω at 24V loop supply	
<i>Accuracy</i>	+/- 2% of full scale	
Mechanical		
<i>Dimensions</i>	77w x 47h x 116d (mm)	
<i>Cut-Out Dimensions</i>	69w x 39h (mm)	
<i>Weight</i>	500g	
<i>IP Rating</i>	IP56 (when panel mounted)	
Trip and Time Delay Settings		
<i>Switch Position</i>	<i>Trip Level (mA) ±5%</i>	<i>Time Delay (ms) +0ms, -20ms</i>
0	100	50
1	150	100
2	200	150
3	250	200
4	300	250
5	350	300
6	400	350
7	450	400
8	500	450
9	750	500
A	1000	500
B	1250	500
C	1500	500
D	1750	500
E	2000	500
F	2500	500
Item Numbers		
167259	ELD V3 Earth Leakage Relay	
179721	ELD V3 NO CT TRIP (See User Manual for details)	
179722	ELD V3 EXTENDED TRIP TIME (See User Manual for details)	
115437	Toroid – 25 mm ID (DIN Rail Mounted)	
101658	Toroid – 60 mm ID	
101656	Toroid – 112 mm ID	
179513	ELD, ELV, ELM Service Kit	
101399	DIN Rail Mounting Kit (suit ELD, ELV & ELM)	
164672	Lockable Front Cover (suit ELD, ELV & ELM)	
120255	ELD-ELC/F Adapter Kit	
Find Out More		
For more information on this product, contact Ampcontrol Customer Service on +61 1300 267 373 or customerservice@ampcontrolgroup.com or visit the Ampcontrol website: www.ampcontrolgroup.com		

DISCLAIMER

While every effort has been made to assure the accuracy of this document at the date of issue, Ampcontrol assumes no liability resulting from any omissions or errors in this document, and reserves the right to revise content at any time.