

atomⁱ

LED FLOODLIGHTS

100W, 150W and 200W commercial LED Floodlight

AT9814



Features

- Ideal for sport venues, carparks and outdoor applications
- Tempered Glass
- Quick installation
- Symmetrical light distribution



Colour temperature
Daylight



IK Rating
IK08



IP Rating
IP66



Warranty
3 year warranty

Product datasheet

Description

100W, 150W and 200W commercial LED Floodlight.

Finish



Black (BLK)

Product specification

Voltage	220-240V~ 50/60Hz		
Power consumption	100W	150W	200W
Lumen output	13380lm	19745lm	25540lm
Light colour options	Daylight		
Colour temperature	5000K		
Colour rendering index	>70		
Beam angle	120°		
Dimmable	No		
Warranty	3 years		
Working temperature	-30°C – 45°C		
IP Rating	IP66		
IK Rating	IK08		
Electrical classification	Class I		

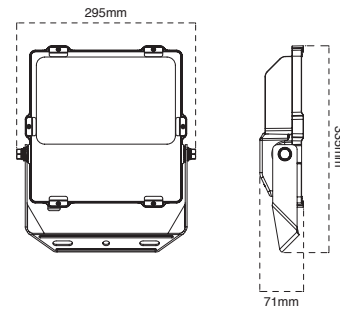
Product range

Code	Wattage
AT9814/100	100W
AT9814/150	150W
AT9814/200	200W

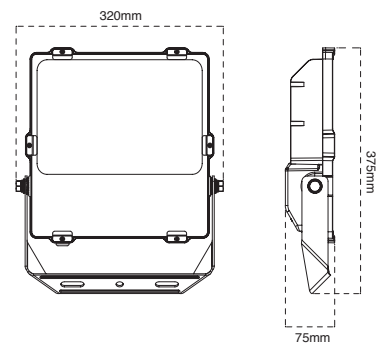
Dimensions

Wattage	Height	Width	Depth
100W	335mm	295mm	71mm
150W	375mm	320mm	75mm
200W	400mm	345mm	78mm

100W



150W



200W

