

LIFELIGHT SURFACE MOUNT

ORDERING INFORMATION		EL ECONOMY	CLP PREMIUM	L10
PART NO.	Standard - White	ELIFE-X-LI-SMS	CLIFE-SMS	LLIFE-SMS
	Standard - Black	ELIFE-X-LI-SMS-BLK	CLIFE-SMS-BLK	LLIFE-SMS-BLK
	Clevertest Plus System compatible	No	Yes	Yes
	DALI®	-	CLIFE-SMS-DALI	LLIFE-SMS-DALI
	Zoneworks® XT	-	CLIFE-SMS-ZW	LLIFE-SMS-ZW
Carton Quantity		10		
Weight - single (carton)		1.0kg (14kg)	1.0kg (14kg)	1.0kg (14kg)
Dimensions (L x W x H)		267mm x 148mm x 60mm		

POWER, LAMPS AND BATTERY		EL ECONOMY	CLP PREMIUM	L10
Power Consumption (Standby / Max)		0.3W / 1.3W	1.3W / 4.7W	1.3W / 4.7W
Lamp(s)		50,000hrs LEDs	100,000hrs LEDs	
Battery		Lithium Iron Phosphate		Lithium Nanophosphate®
Voltage (V) / Milliamp Per Hour (mAh)		3.2V / 3000mAh	3.2V / 3200mAh	3.3V / 2500mAh
Charging Method		Intelligent Current Limited Constant Voltage		
Rated Emergency Duration (Mins)		180 min		

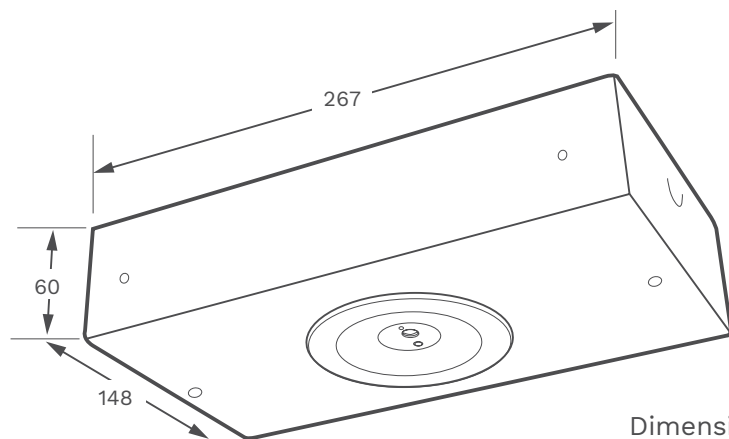
TECHNICAL SPECIFICATIONS	
Operating Mode	Non-Maintained
Voltage (V) Frequency (Hz)	220-240V (50Hz)
Operating Temperature	0°C to 40°C
IP Rating (IP)	IP20

SPARE PARTS	EL	CLP	L10
	Battery	1560150	1550092
DALI® Node	-	8003061	8003061
Zoneworks® Node	-	8001450	8001450

PROTECTION	
Battery overvoltage & overcurrent protection	
Battery deep discharge protection	
Supply voltage polarity reversal protection	
Battery short-circuit protection (charging will resume upon removal of fault)	

LUMINAIRE CLASSIFICATION	EL				CLP				L10			
	Classification	X	0	ADF	180	X	0	ADF	180	X	0	ADF

CEILING MOUNTING HEIGHT (M)	1 LUX SPACING TABLE AND MOUNTING HEIGHTS												0.5 LUX SPACING TABLE AND MOUNTING HEIGHTS											
	Escape Routes 1 Lux min. along centre line												Open (Anti-panic) Areas 0.5 Lux min. within core area Luminaires arranged in a regular array											
	Axial Spacing			Transverse Spacing			Axial to Wall			Transverse to Wall			Axial Spacing			Transverse Spacing			Axial to Wall			Transverse to Wall		
	EL	CLP	L10	EL	CLP	L10	EL	CLP	L10	EL	CLP	L10	EL	CLP	L10	EL	CLP	L10	EL	CLP	L10	EL	CLP	L10
2.7	10.8	10.5	10.1	10.8	10.5	10.1	4.2	4.5	4.4	4.2	4.5	4.4	11	11	11	11	11	11	4	3.5	3.7	4	3.5	3.7
3	11.1	11.3	10.3	11.1	11.3	10.3	4.5	4.2	4.4	4.5	4.2	4.4	11	11	11.5	11	11	11.5	4.25	4	3.8	4.25	4	3.8
4	11.8	11.4	10.9	11.8	11.4	10.9	4.2	4.6	4.4	4.2	4.6	4.4	13	13	12.9	13	13	12.9	4.5	4	3.9	4.5	4	3.9
5	12	11.6	11.1	12	11.6	11.1	4.5	4.4	4.1	4.5	4.4	4.1	14	14	13.9	14	14	13.9	4.5	4.5	4	4.5	4.5	4



Dimensions (mm)

*Warranty information located at: <https://clevertronics.co.uk/product-warranty-statement/>
The product details described in this document are current as at the version date of the document. We reserve the right to change product design, specifications or materials (Specifications) as part of our continuous improvement program. Please confirm the applicable Specifications at the time of placing your order.