



STARGEM III SES7080/2TC - 2 X 15W

2 x 15 watt IP54 wall mounted LED floodlight with TC selectable colour temperature and PIR sensor

Application

A stylish solution for residential exterior spaces, great for security

Design Specifications

- Robust adjustable black or white aluminium optical head assembly
- Durable polycarbonate mounting base
- Opal polycarbonate diffuser, beam distribution 100 degree,
- CCT colour selectable 3000K/4000K/5700K
- Integral PIR motion sensor, detection distance 12m at 2.5hm, detection angle 180°, manual over-ride function, time and light level adjustments see installation instructions



-
-
-
-
-
-
-
-
-
-

Performance

In Built Sensor - **YES**
Sensor Type - **PIR**

Technical Specification

Model No.	Input Voltage (V/AC)	Power (W)	Lumens (lm)	CCT (K)	CRI	Beam Angle (°)
SES7080/2TC/BK	240	30	1200/1300/1250	3000/4000/5700	80	100
SES7080/2TC/WH	240	30	1200/1300/1250	3000/4000/5700	80	100

Technical Specification

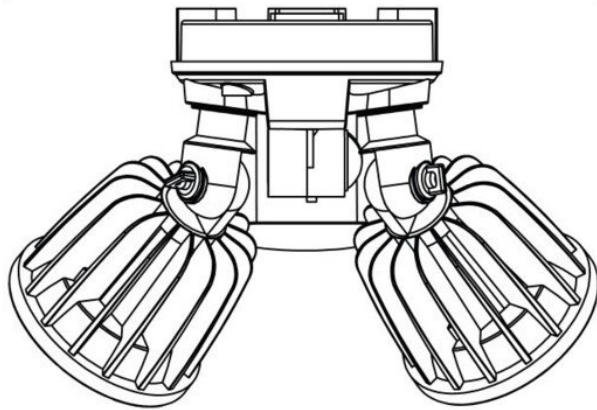
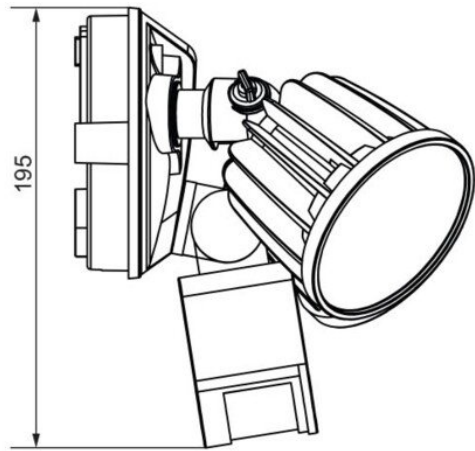
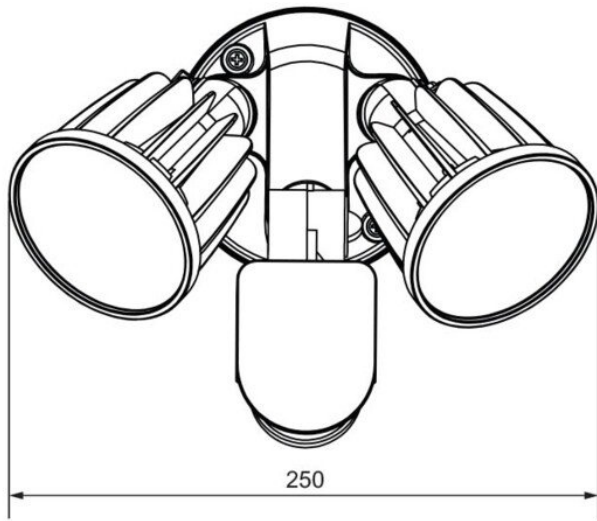
Model No.	Body Colour	Mass (kg)
SES7080/2TC/BK	BLACK	0.4
SES7080/2TC/WH	WHITE	0.4

Lumens shown are (per optical head)

Due to continued product and technology enhancements, data sourced from sal.net.au shall not form part of any contract and or technical performance guarantee unless expressly confirmed in writing by SAL at the time of order. Products are sold in accordance with [SAL Terms and Conditions of sale](#) and all images shown are for illustration purposes only and may vary from the actual colour or finish. Unless specifically stated, all IP ratings nominated for Interior products are from "below the ceiling".

Dimensions

SES7080/2TC



sal.net.au

Product Images

