



PREMIER S9076TC DP/HP - 18/40W

Non-dimmable IP64, 40W LED downlight with selectable colour temperature and power

Application

Ideal for any commercial interior space

Design Specifications

- Premium aluminium body profile, CA90 rated
- Stylish white powder coat finish
- Quality opal polycarbonate diffuser
- High efficiency SMD LED chips
- Constant current remote non-dimmable LED driver, with flex and plug

Performance

Dimmable - **OPTIONAL**

Dimmer Type - **Dual power, 1-10V, DALI / DSI - Half power, trailing edge, 1-10V, DALI / DSI**



Technical Specification

Model No.	Input Voltage (V/AC)	Power (W)	Multiple Wattage	Lumens (lm)	CCT (K)	Beam Angle (°)
S9076TC/WH HP	240	18		2100/2300/2200	3000/4000/5700	90
S9076TC/WH DP	240		30/40	3500/4200/3800	3000/4000/5700	90

Technical Specification

Model No.	Dimmable	CRI	Body Colour	Cut Out (mm)	Diameter (mm)	Dim (mm)	iPART
S9076TC/WH HP	OPTIONAL	80	White	240	69	96(H)	YES
S9076TC/WH DP	OPTIONAL	80	White	240	280	96(H)	

Technical Specification

Model No.	REES	VEET
S9076TC/WH HP	YES	
S9076TC/WH DP		YES

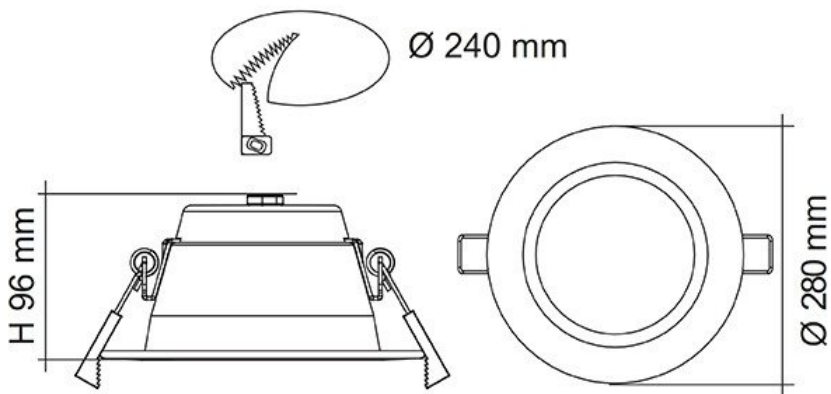
Note: Lumens (lm) shown are displayed at maximum power rating



Due to continued product and technology enhancements, data sourced from sal.net.au shall not form part of any contract and or technical performance guarantee unless expressly confirmed in writing by SAL at the time of order. Products are sold in accordance with [SAL Terms and Conditions of sale](#) and all images shown are for illustration purposes only and may vary from the actual colour or finish. Unless specifically stated, all IP ratings nominated for Interior products are from "below the ceiling".

Dimensions

S9076TC





Photometric Data

Photometric Data

Unit: cd C0/C180 _____ C90/C270 _____

S9076TC/WH/DP at 4000K

