



PREMIER S9071TC - 10W

Dimmable IP64 10W LED downlight with selectable colour temperature

Application

Ideal for any residential or commercial interior spaces

Design Specifications

- Premium aluminium body profile, IC-4 rated
- Stylish white or silver powder coat finish
- Quality opal polycarbonate diffuser
- High efficiency SMD LED chips
- Remote constant current trailing edge dimmable LED driver, with flex and plug

Performance

Dimmable - **YES**

Dimmer Type - **Trailing edge, optional DALI**



Technical Specification

Model No.	Input Voltage (V/AC)	Power (W)	Lumens (lm)	CCT (K)	Beam Angle (°)	Dimmable
S9071TC WH	240	10	800/900/900	3000/4000/5700	90	YES
S9071TC SL	240	10	800/900/900	3000/4000/5700	90	YES

Technical Specification

Model No.	CRI	Body Colour	Cut Out (mm)	Diameter (mm)	Dim (mm)	iPART	REES
S9071TC WH	80	WHITE	92	112	57(H)	YES	YES
S9071TC SL	80	SILVER	92	113	57(H)	YES	YES

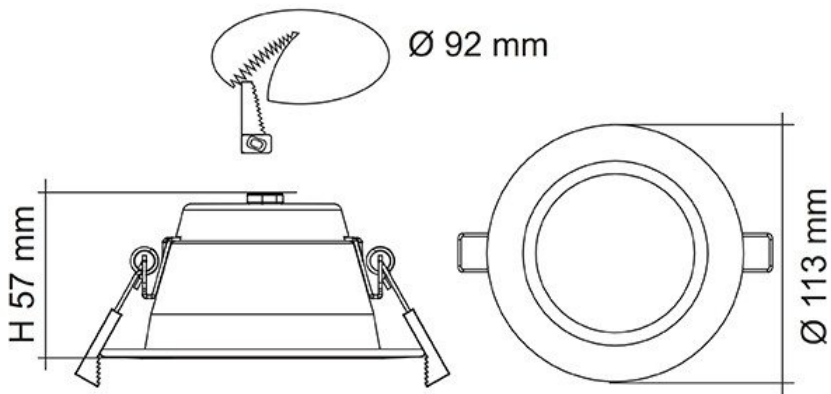
Technical Specification

Model No.	VEET
S9071TC WH	YES
S9071TC SL	YES

Due to continued product and technology enhancements, data sourced from sal.net.au shall not form part of any contract and or technical performance guarantee unless expressly confirmed in writing by SAL at the time of order. Products are sold in accordance with [SAL Terms and Conditions of sale](#) and all images shown are for illustration purposes only and may vary from the actual colour or finish. Unless specifically stated, all IP ratings nominated for Interior products are from "below the ceiling".

Dimensions

S9071TC



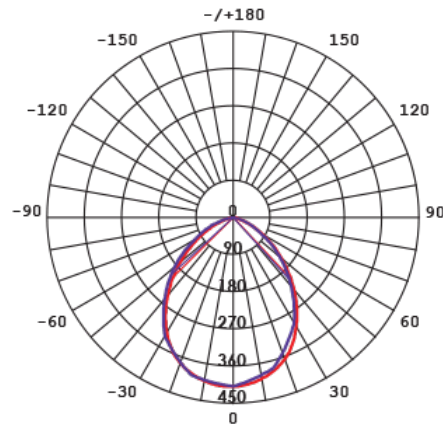


Photometric Data

Photometric Data

Unit: cd C0/C180 _____ C90/C270 _____

S9071TC at 4000K



Product Images

