

ZART12DM

Harmony eXLhoist, standard, Remote control, display, 6 motion push buttons, 6 auxiliary push buttons, MBC (tandem)



Main

Range of product	Harmony eXLhoist
Product or component type	Hand-held remote control
Device short name	ZART
Control button type	6 configurable motion push-button 6 configurable auxiliary push-button

Complementary

Device application	Master in multiple bridge control (tandem) Slave in multiple bridge control (tandem) Master and slave in multiple bridge control (tandem)
Material	Enclosure: PC (polycarbonate) Enclosure: PBT (polybutylene terephthalate) Cover: PP (polypropylene) Protective cover: EPDM rubber
Function available	Accelerometer function Vibrator function
Display type	LCD display 34 x 42 mm
Operating distance	50 m
Mechanical robustness	Free fall resistance 4.5 m conforming to IEC 60068-2-27
Communication network type	Wireless: bluetooth low energy
Transmission frequency	2.4 GHz
Maximum sensing distance	100 m in free field
Response time	< 300 ms at full duplex
Charging time	900 s
Autonomy	30 h
Mechanical durability	5000000 cycles
Service life	5 year(s)
Width	100 mm
Height	340 mm
Depth	90 mm
Net weight	0.65 kg

Environment

Radio agreement	ANATEL ICASA RSS FCC ARIB SRRC
IP degree of protection	IP65
NEMA degree of protection	NEMA 4
Ambient air temperature for operation	-20...60 °C
Ambient air temperature for storage	-20...45 °C

The information provided in this documentation contains general descriptions and/or technical characteristics of the performance of the products contained herein. This documentation is not intended as a substitute for and is not to be used for determining suitability or reliability of these products for specific user applications. It is the duty of any such user or integrator to perform the appropriate and complete risk analysis, evaluation and testing of the products with respect to the relevant specific application or use thereof. Neither Schneider Electric Industries SAS nor any of its affiliates or subsidiaries shall be responsible or liable for misuse of the information contained herein.

Operating altitude	0...2000 m
Storage altitude	0...3000 m
Vibration resistance	0.075 mm conforming to IEC 60068-2-6 (f = 10...55 Hz)
Shock resistance	100 gn conforming to IEC 60068-2-27
Relative humidity	0...95 % at -20...60 °C operating
Product certifications	JIS CE CSA UL C-Tick KC EAC

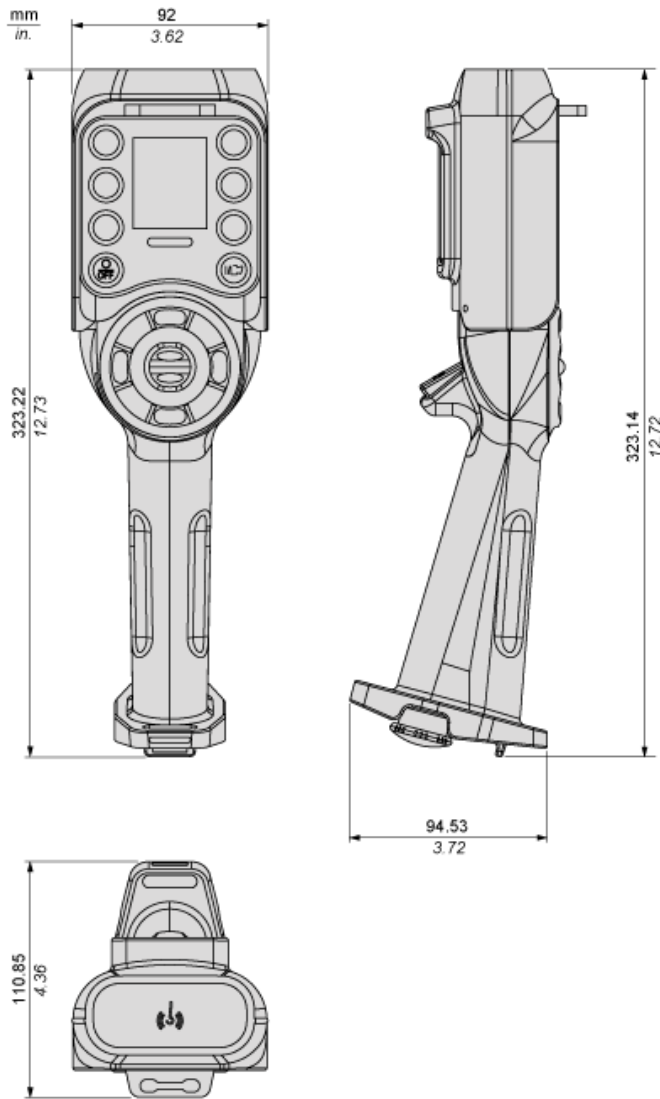
Packing Units

Unit Type of Package 1	PCE
Number of Units in Package 1	1
Package 1 Weight	732.0 g
Package 1 Height	10.7 cm
Package 1 width	10.2 cm
Package 1 Length	33.7 cm
Unit Type of Package 2	CAR
Number of Units in Package 2	1
Package 2 Weight	1.693 kg
Package 2 Height	10.2 cm
Package 2 width	29.0 cm
Package 2 Length	30.2 cm
Unit Type of Package 3	S04
Number of Units in Package 3	4
Package 3 Weight	8.024 kg
Package 3 Height	30.0 cm
Package 3 width	40.0 cm
Package 3 Length	60.0 cm

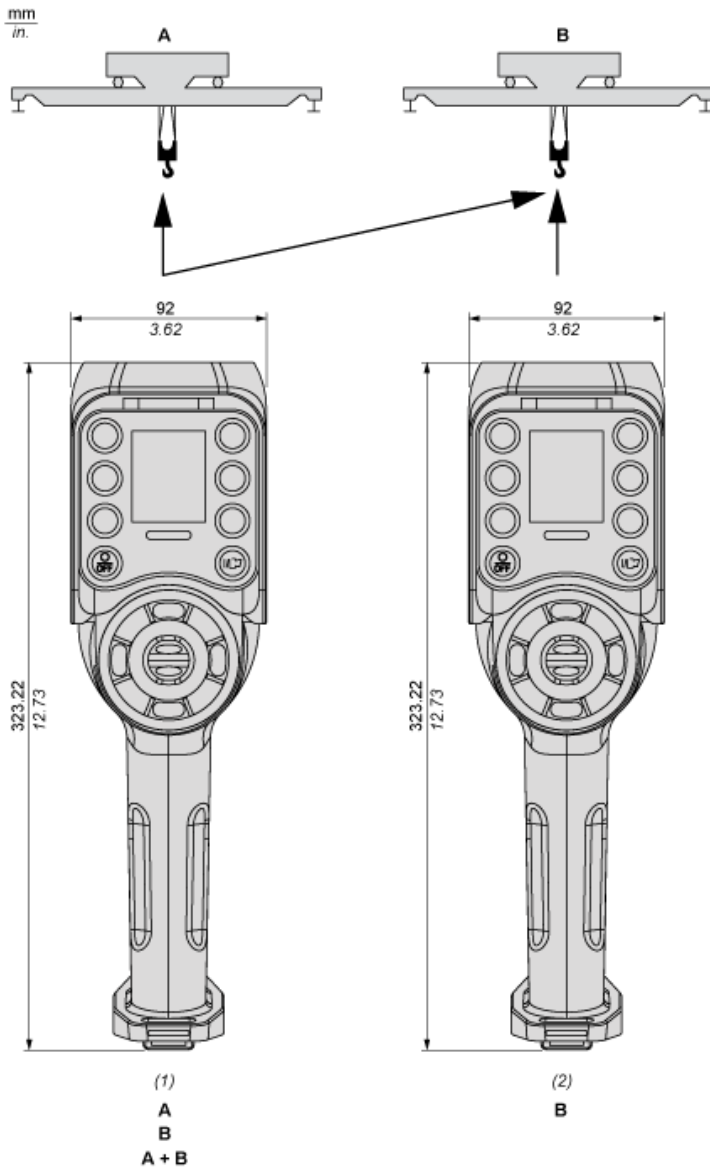
Offer Sustainability

EU RoHS Directive	Pro-active compliance (Product out of EU RoHS legal scope) EU RoHS Declaration
Mercury free	Yes
RoHS exemption information	Yes
China RoHS Regulation	China RoHS Declaration
WEEE	The product must be disposed on European Union markets following specific waste collection and never end up in rubbish bins

Dimensions



Multiple Bridge Control



- A : Bridge 1
- B : Bridge 2
- (1) Master
- (2) Slave