



Main

| | |
|-----------------------------|-------------|
| Range of product | Harmony XB5 |
| Bezel material | Plastic |
| Product or component type | Annunciator |
| Mounting diameter | 22 mm |
| Cap/Operator or lens colour | Yellow |

Complementary

| | |
|------------------------------------|---------------------------------------|
| [Us] rated supply voltage | 24 V +/- 10 % |
| Supply circuit type | AC/DC |
| Supply frequency | 50/60 Hz |
| Current consumption | <= 58 mA |
| Signalling type | Continuous or intermittent tone |
| Resistance to high pressure washer | 9000000 Pa at 80 °C, distance : 0.1 m |
| Height | 29 mm |
| Width | 29 mm |
| Depth | 55 mm |
| Net weight | 0.024 kg |

Environment

| | |
|---------------------------------------|--|
| Noise level | 90 dB at 6.8 kHz distance 0.1 m (+/- 10 %) |
| Protective treatment | TH |
| Ambient air temperature for storage | -40...70 °C |
| Ambient air temperature for operation | -40...70 °C |
| Overvoltage category | Class II conforming to IEC 60536 |
| IP degree of protection | IP20 (rear face) conforming to IEC 60529 IP66 conforming to IEC 60529 IP67 |

| | |
|---------------------------|--|
| | IP69 IP69K |
| NEMA degree of protection | NEMA 4X NEMA 13 |
| IK degree of protection | IK05 conforming to EN 50102 IK03 conforming to IEC 50102 |
| Standards | IEC 60947-1 JIS C8201-5-1 UL 508 IEC 60947-5-1 IEC 60947-5-4 CSA C22.2 No 14 EN 60947-5-1 EN 60947-1 EN 60947-5-4 JIS C8201-1 |
| Product certifications | UL listed CSA BV |

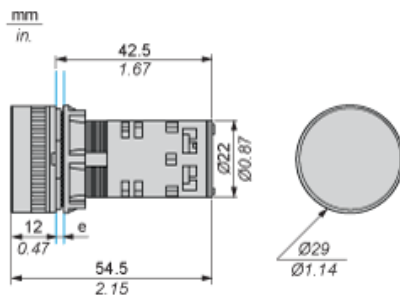
Packing Units

| | |
|------------------|----------|
| Package 1 Weight | 0.027 kg |
| Package 1 Height | 0.340 dm |
| Package 1 width | 0.330 dm |
| Package 1 Length | 0.600 dm |

Offer Sustainability

| | |
|----------------------------|---|
| Sustainable offer status | Green Premium product |
| REACH Regulation | REACH Declaration |
| EU RoHS Directive | Pro-active compliance (Product out of EU RoHS legal scope) EU RoHS Declaration |
| Mercury free | Yes |
| RoHS exemption information | Yes |
| China RoHS Regulation | China RoHS declaration |
| Environmental Disclosure | Product Environmental Profile |
| WEEE | The product must be disposed on European Union markets following specific waste collection and never end up in rubbish bins |

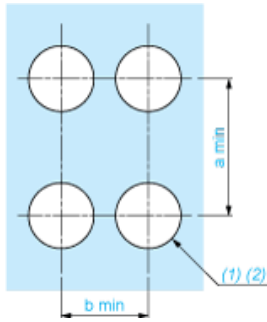
Dimensions



e: Clamping thickness: 1 to 6 mm / 0.04 to 0.24 in.

Panel Cut-out for Buzzer

Connection by Screw Clamp Terminals

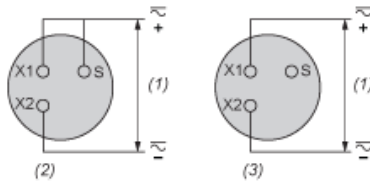


(1) Diameter on finished panel or support

(2) $\text{Ø}22.5 \text{ mm}$ recommended ($\text{Ø}22.3 \text{ }_0^{+0.4}$) / $\text{Ø}0.89 \text{ in.}$ recommended ($\text{Ø}0.88 \text{ in. }_0^{+0.016}$)

| Connections | a in mm | a in in. | b in mm | b in in. |
|---|---------|----------|---------|----------|
| By screw clamp terminals or plug-in connector | 40 | 1.57 | 30 | 1.18 |

Cabling of Annunciators



- (1) Supply
- (2) Intermittent
- (3) Continuous