



### Main

Range of product	Modicon STB distributed I/O solution
Product or component type	Standard digital output kit
Kit composition	STBXTS1100, 5-terminal screw type connector STBXBA2000 base STBXTS2110, 5-terminal spring clamp connector STBDRA3290 module
Discrete output number	2
Discrete output type	Relay
Discrete output function	1 NO + 1 NC
Discrete output voltage	24 V 115...230 V
Discrete output voltage type	AC DC

### Complementary

Discrete output current	7000 mA
Discrete output logic	Positive or negative
Output voltage	20...250 V AC 5...30 V DC
Response time	10 ms off-to-on 10 ms on-to-off
Switching capacity in VA	2100 VA resistive
Mechanical durability	1000000 cycles
Electrical durability	100000 cycles resistive
Cold swapping	Yes
Hot swapping	Yes for standard NIMs
Fallback	State 0 basic NIMs User configurable standard NIMs
Protection type	Coil protection integrated fuse on PDM time lag 10 A Output surge protection GMOV
Insulation between channels	500 V for 1 minute
Insulation between channels and logic bus	1780 V for 1 minute
Insulation between logic bus and actuator bus	1500 V for 1 minute
Surge current	20 A 10 ms capacitive
Minimum load	50 mA
Reset	Manual reset COM fault
Product compatibility	I/O base STBXBA3000 Power distribution module STBPDT3100/3105
[Us] rated supply voltage	24 V DC
Supply	Power distribution module
Current consumption	55 mA at 5 V DC for logic bus
Marking	CE
Overvoltage category	II
Status LED	1 LED (green) module status (RDY) 1 LED per channel (green) channel status (OUT1 to OUT2) 1 LED (red) module error (ERR)
Height	28.1 mm
Depth	70 mm
Width	128.3 mm
Net weight	0.13 kg

The information provided in this documentation contains general descriptions and/or technical characteristics of the products contained herein. This documentation is not intended as a substitute for and is not to be used for determining suitability or reliability of these products for specific user applications. It is the duty of any such user or integrator to perform the appropriate and complete risk analysis, evaluation and testing of the products with respect to the relevant specific application or use thereof. Neither Schneider Electric Industries SAS nor any of its affiliates or subsidiaries shall be responsible or liable for misuse of the information contained herein.

## Environment

Standards	EN/IEC 61131-2
Product certifications	FM Class 1 Division 2 UL CSA
Pollution degree	2 conforming to IEC 60664-1
Operating altitude	<= 2000 m
IP degree of protection	IP20 conforming to EN 61131-2 class 1
Ambient air temperature for operation	0...60 °C (without derating)
Ambient air temperature for operation	32...140 °F without derating
Ambient air temperature for storage	-40...85 °C without derating
Ambient air temperature for storage	-40...185 °F without derating
Relative humidity	95 % at 60 °C without condensation
Vibration resistance	3 gn at 58...150 Hz on 35 x 7.5 mm symmetrical DIN rail 5 gn at 58...150 Hz on 35 x 15 mm symmetrical DIN rail +/-0.35 mm at 10...58 Hz
Shock resistance	30 gn for 11 ms conforming to IEC 88 reference 2-27

## Packing Units

Unit Type of Package 1	PCE
Number of Units in Package 1	1
Package 1 Weight	197.0 g
Package 1 Height	4.0 cm
Package 1 width	7.5 cm
Package 1 Length	13.0 cm
Unit Type of Package 2	S02
Number of Units in Package 2	20
Package 2 Weight	4.366 kg
Package 2 Height	15.0 cm
Package 2 width	30.0 cm
Package 2 Length	40.0 cm
Unit Type of Package 3	PAL
Number of Units in Package 3	320
Package 3 Weight	63.04 kg
Package 3 Height	60.0 cm
Package 3 width	80.0 cm
Package 3 Length	320.0 cm

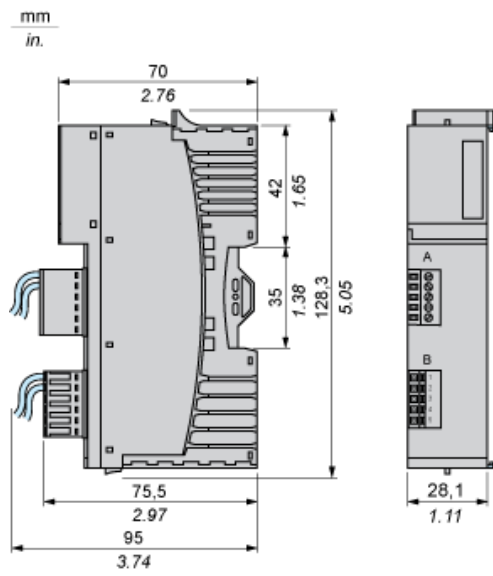
## Offer Sustainability

Sustainable offer status	Green Premium product
REACH Regulation	<a href="#">REACH Declaration</a>
EU RoHS Directive	Pro-active compliance (Product out of EU RoHS legal scope) <a href="#">EU RoHS Declaration</a>
Mercury free	Yes
RoHS exemption information	<a href="#">Yes</a>
China RoHS Regulation	<a href="#">China RoHS Declaration</a>
Environmental Disclosure	<a href="#">Product Environmental Profile</a>
Circularity Profile	<a href="#">End Of Life Information</a>
WEEE	The product must be disposed on European Union markets following specific waste collection and never end up in rubbish bins

## Contractual warranty

Warranty	18 months
----------	-----------

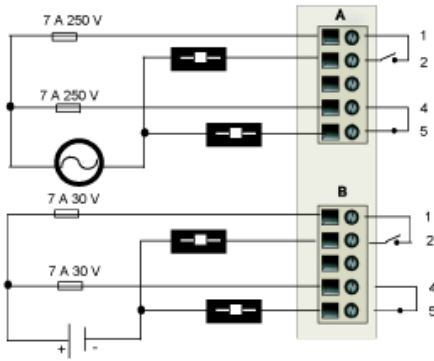
Dimensions



Wiring Diagram

Example

4 two-wire actuators



Pin	Top Connector	Bottom Connector
1	N.O. connection for relay 1	N.O. connection for relay 2
2	N.O. connection for relay 1	N.O. connection for relay 2
3	no connection	no connection
4	N.C. connection for relay 1	N.C. connection for relay 2
5	N.C. connection for relay 1	N.C. connection for relay 2