



### Main

|                              |  |
|------------------------------|--|
| Range of product             | Modicon STB distributed I/O solution   |
| Product or component type    | Basic digital output kit   |
| Kit composition              | STBXBA3000 base<br>STBXTS2180, 18-terminal spring clamp connector<br>STBDDO3705 module |
| Discrete output number       | 16   |
| Discrete output type         | Solid state  |
| Discrete output voltage      | 24 V   |
| Discrete output voltage type | DC   |

### Complementary

|   |  |
|---|--|
| Discrete output current                   | 500 mA   |
| Discrete output logic                     | Positive   |
| Output voltage                            | 19.2...30 V DC   |
| Absolute maximum voltage                  | 35 V 1.3 ms  |
| Response time                             | 2 ms off-to-on<br>2 ms on-to-off   |
| Cold swapping                             | Yes  |
| Hot swapping                              | No for basic NIMs  |
| Protection type                           | Power protection integrated fuse on PDM time lag 5 A<br>Reverse polarity protection<br>Short-circuit protection<br>Thermal overload protection |
| Insulation between channels and logic bus | 1500 V for 1 minute  |
| Maximum leakage current                   | 0.4 mA at state 0 30 V   |
| Maximum load capacitance                  | 10 µF  |
| Maximum load inductance                   | 1000 mH at 4 Hz  |
| Reset                                     | Manual reset COM fault   |
| Product compatibility                     | Power distribution module STBPDT3100/3105<br>I/O base STBXBA3000   |
| [Us] rated supply voltage                 | 24 V DC  |
| Supply                                    | Power distribution module  |
| Current consumption                       | 135 mA at 5 V DC for logic bus   |
| Marking                                   | CE   |
| Overvoltage category                      | II   |
| Status LED                                | 1 LED (green) module status (RDY)<br>1 LED per channel (green) channel status (OUT1 to OUT16)  |
| Height                                    | 13.9 mm  |
| Depth                                     | 70 mm  |
| Width                                     | 128.3 mm   |
| Net weight                                | 0.086 kg   |

## Environment

|                                       |   |
|---------------------------------------|---|
| Standards                             | EN/IEC 61131-2  |
| Product certifications                | FM Class 1 Division 2<br>CSA<br>UL  |
| Pollution degree                      | 2 conforming to IEC 60664-1   |
| Operating altitude                    | <= 2000 m   |
| IP degree of protection               | IP20 conforming to EN 61131-2 class 1   |
| Ambient air temperature for operation | 0...60 °C (without derating)  |
| Ambient air temperature for operation | 32...140 °F without derating  |
| Ambient air temperature for storage   | -40...85 °C without derating  |
| Ambient air temperature for storage   | -40...185 °F without derating   |
| Relative humidity                     | 95 % at 60 °C without condensation  |
| Vibration resistance                  | 3 gn at 58...150 Hz on 35 x 7.5 mm symmetrical DIN rail<br>5 gn at 58...150 Hz on 35 x 15 mm symmetrical DIN rail<br>+/-0.35 mm at 10...58 Hz |
| Shock resistance                      | 30 gn for 11 ms conforming to IEC 88 reference 2-27   |

## Packing Units

|                              |          |
|------------------------------|----------|
| Unit Type of Package 1       | PCE      |
| Number of Units in Package 1 | 1        |
| Package 1 Weight             | 194 g    |
| Package 1 Height             | 3.8 cm   |
| Package 1 width              | 8.1 cm   |
| Package 1 Length             | 13.1 cm  |
| Unit Type of Package 2       | S02      |
| Number of Units in Package 2 | 20       |
| Package 2 Weight             | 4.412 kg |
| Package 2 Height             | 15 cm    |
| Package 2 width              | 30 cm    |
| Package 2 Length             | 40 cm    |

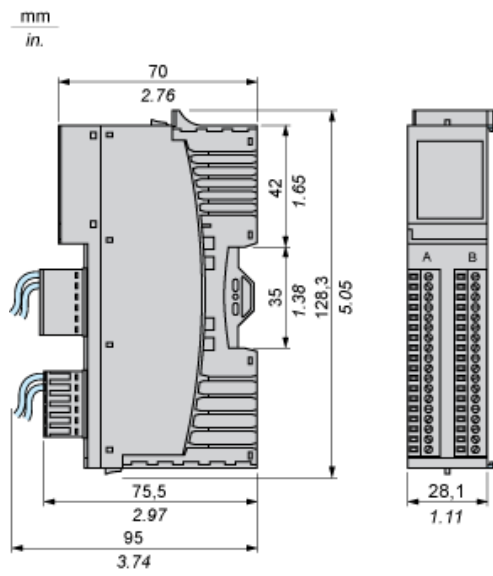
## Offer Sustainability

|                            |   |
|----------------------------|---|
| Sustainable offer status   | Green Premium product   |
| REACH Regulation           | <a href="#">REACH Declaration</a>   |
| EU RoHS Directive          | Pro-active compliance (Product out of EU RoHS legal scope) <a href="#">EU RoHS Declaration</a>                              |
| Mercury free               | Yes   |
| RoHS exemption information | <a href="#">Yes</a>   |
| China RoHS Regulation      | <a href="#">China RoHS Declaration</a>  |
| Environmental Disclosure   | <a href="#">Product Environmental Profile</a>   |
| Circularity Profile        | <a href="#">End Of Life Information</a>   |
| WEEE                       | The product must be disposed on European Union markets following specific waste collection and never end up in rubbish bins |

## Contractual warranty

|          |           |
|----------|-----------|
| Warranty | 18 months |
|----------|-----------|

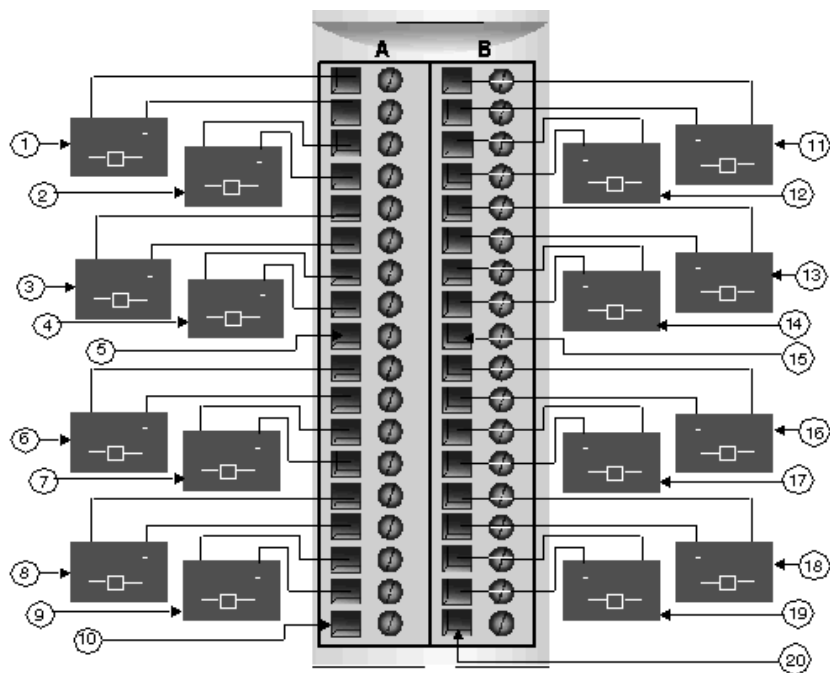
Dimensions



Wiring Diagram

Example

16 two-wire actuators



| #  | Group 1                          | #  | Group 2                          |
|----|----------------------------------|----|----------------------------------|
| 1  | Channel 1, Connector A, Actuator | 11 | Channel 1, Connector B, Actuator |
| 2  | Channel 2, Connector A, Actuator | 12 | Channel 2, Connector B, Actuator |
| 3  | Channel 3, Connector A, Actuator | 13 | Channel 3, Connector B, Actuator |
| 4  | Channel 4, Connector A, Actuator | 14 | Channel 4, Connector B, Actuator |
| 5  | Pin 9, Connector A (not used)    | 15 | Pin 9, Connector B (not used)    |
| 6  | Channel 5, Connector A, Actuator | 16 | Channel 5, Connector B, Actuator |
| 7  | Channel 6, Connector A, Actuator | 17 | Channel 6, Connector B, Actuator |
| 8  | Channel 7, Connector A, Actuator | 18 | Channel 7, Connector B, Actuator |
| 9  | Channel 8, Connector A, Actuator | 19 | Channel 8, Connector B, Actuator |
| 10 | Pin 18, Connector A (not used)   | 20 | Pin 18, Connector B (not used)   |