



## Main

|                            |  |
|----------------------------|--|
| Range of product           | Modicon STB distributed I/O solution   |
| Product or component type  | Basic analog output kit  |
| Kit composition            | STBAVO1265 module<br>STBXTS2100, 6-terminal spring clamp connector<br>STBXTS1100, 6-terminal screw type connector<br>STBXBA1000 base |
| Analogue output type       | Voltage: +/- 10 V  |
| Analogue output number     | 2  |
| Analogue output resolution | 9 bits + sign  |

## Complementary

|  |   |
|--|---|
| Analogue output current                      | 0.005 A   |
| Response time                                | 3 ms  |
| Cold swapping                                | Yes   |
| Hot swapping                                 | No for basic NIMs   |
| Fallback                                     | State 0   |
| Data format                                  | IEC 61131-2<br>EN 61131-2   |
| Update time                                  | 25 ms   |
| Protection type                              | Short-circuit protection  |
| Integral linearity                           | +/- 0.1 %FS   |
| Differential linearity                       | Monotonic   |
| Absolute accuracy error                      | +/- 0.5 % of full scale at 25 °C                                      |
| Temperature drift                            | +/-0.01 %/°C  |
| Insulation between channels and logic bus    | 1500 V for 1 minute   |
| Insulation between channels and actuator bus | 30 V  |
| Addressing requirement                       | 2 output words  |
| Product compatibility                        | Mounting base STBXBA1000<br>Power distribution module STBPDT3100/3105 |
| [Us] rated supply voltage                    | 24 V DC   |
| Supply                                       | Power distribution module   |
| Current consumption                          | 45 mA at 5 V DC for logic bus   |
| Marking                                      | CE  |
| Overvoltage category                         | II  |
| Status LED                                   | 1 LED (green) module status (RDY)                                     |
| Depth  | 70 mm   |
| Height                                       | 13.9 mm   |
| Width  | 128.3 mm  |
| Net weight                                   | 0.115 kg  |

## Environment

|                                       |   |
|---------------------------------------|---|
| Product certifications                | CSA<br>FM Class 1 Division 2<br>UL  |
| Pollution degree                      | 2 conforming to IEC 60664-1   |
| Operating altitude                    | <= 2000 m   |
| IP degree of protection               | IP20 conforming to EN 61131-2 class 1   |
| Ambient air temperature for operation | 0...60 °C (without)   |
| Ambient air temperature for operation | 32...140 °F without   |
| Ambient air temperature for storage   | -40...85 °C without   |
| Ambient air temperature for storage   | -40...185 °F without  |
| Relative humidity                     | 95 % at 60 °C without condensation  |
| Vibration resistance                  | 3 gn at 58...150 Hz on 35 x 7.5 mm symmetrical DIN rail<br>5 gn at 58...150 Hz on 35 x 15 mm symmetrical DIN rail<br>+/-0.35 mm at 10...58 Hz |
| Shock resistance                      | 30 gn for 11 ms conforming to IEC 88 reference 2-27   |

## Packing Units

|                              |           |
|------------------------------|-----------|
| Unit Type of Package 1       | PCE       |
| Number of Units in Package 1 | 1         |
| Package 1 Weight             | 134.0 g   |
| Package 1 Height             | 2.7 cm    |
| Package 1 width              | 8.0 cm    |
| Package 1 Length             | 13.0 cm   |
| Unit Type of Package 2       | S02       |
| Number of Units in Package 2 | 28        |
| Package 2 Weight             | 4.11 kg   |
| Package 2 Height             | 15.0 cm   |
| Package 2 width              | 30.0 cm   |
| Package 2 Length             | 40.0 cm   |
| Unit Type of Package 3       | PAL       |
| Number of Units in Package 3 | 448       |
| Package 3 Weight             | 60.032 kg |
| Package 3 Height             | 60.0 cm   |
| Package 3 width              | 80.0 cm   |
| Package 3 Length             | 448.0 cm  |

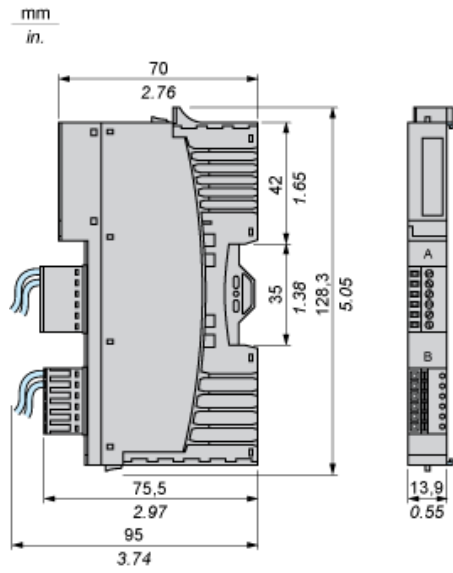
## Offer Sustainability

|                            |   |
|----------------------------|---|
| Sustainable offer status   | Green Premium product   |
| REACH Regulation           | <a href="#">REACH Declaration</a>   |
| EU RoHS Directive          | Pro-active compliance (Product out of EU RoHS legal scope) <a href="#">EU RoHS Declaration</a>                              |
| Mercury free               | Yes   |
| RoHS exemption information | <a href="#">Yes</a>   |
| China RoHS Regulation      | <a href="#">China RoHS Declaration</a>  |
| Environmental Disclosure   | <a href="#">Product Environmental Profile</a>   |
| Circularity Profile        | <a href="#">End Of Life Information</a>   |
| WEEE                       | The product must be disposed on European Union markets following specific waste collection and never end up in rubbish bins |

## Contractual warranty

|          |           |
|----------|-----------|
| Warranty | 18 months |
|----------|-----------|

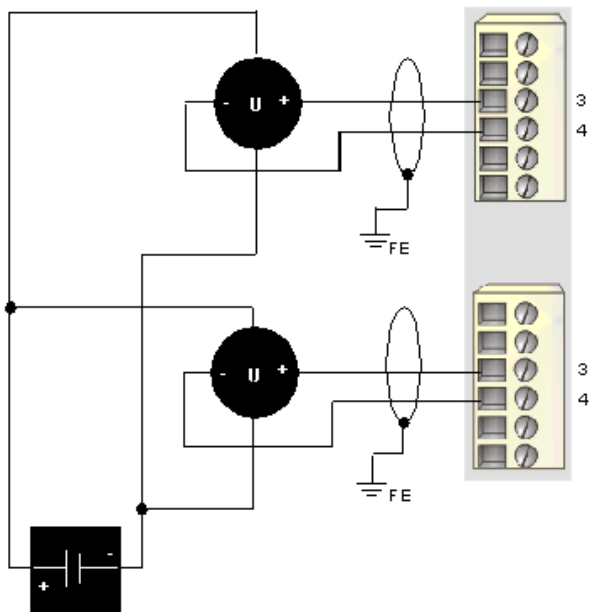
Dimensions



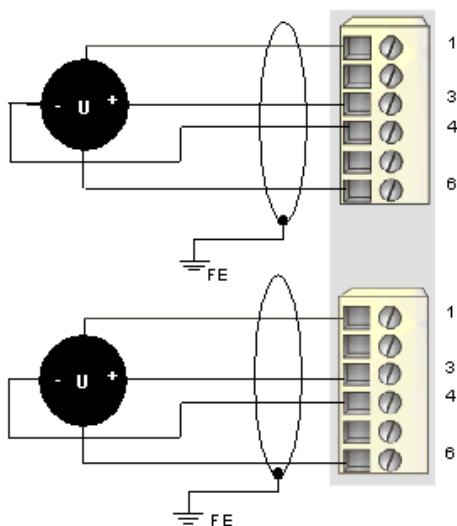
Wiring Diagrams

Examples

2 isolated analog actuators, external 24 VDC power supply



2 non-isolated analog actuators, 24 VDC supplied by the PDM



| Pin | Top Connections  | Bottom Connections   |
|-----|--|--|
| 1   | +24 VDC from the island's field power bus for field device accessories | +24 VDC from the island's field power bus for field device accessories |
| 2   | no connection  | no connection  |
| 3   | output to actuator 1   | output to actuator 2   |
| 4   | output channel return  | output channel return  |
| 5   | no connection  | no connection  |
| 6   | field power return (to the module)                                     | field power return (to the module)                                     |