



Main

Range of product	Altivar
Range compatibility	Altivar Machine ATV340 Altivar Machine ATV320 Altivar Process ATV900
Product or component type	Power module
Device application	Energy regeneration
[Us] rated supply voltage	380...500 V - 15...10 %
[Ue] rated operational voltage	456...778 V DC
Rated power in W	13.5 kW

Complementary

Network frequency	45...65 Hz
Network number of phases	3 phases
Fixing mode	By screws
Maximum voltage drop at rated load	3 %
Electrical connection	Control: removable screw terminal block: 0.5...1.5 mm ² , AWG 20...AWG 16 (bottom) Power supply: removable screw terminal block: 6 mm ² , AWG 8 (top) DC bus: removable screw terminal block: 6 mm ² , AWG 8 (bottom)
Input current	31.8 A at 380 V AC for voltage inputs (continuous) 27.9 A at 500 V AC for voltage inputs (continuous) 43.1 A at 380 V AC for voltage inputs (transient for 60 s) 36.3 A at 500 V AC for voltage inputs (transient for 60 s)
Input power	13.5 kW at 380...500 V AC for voltage inputs (continuous) 20.3 kW at 380...500 V AC for voltage inputs (transient for 60 s)
Maximum DC bus voltage	300...880 V DC
Output current	25.9 A at 380 V AC (continuous) 23.2 A at 500 V AC (continuous) 36.5 A at 380 V AC (transient for 60 s) 29.7 A at 500 V AC (transient for 60 s)
Width	105 mm
Height	399 mm
Depth	235 mm
Net weight	11.5 kg

Environment

Standards	IEC 61800-3 IEC 61800-5-1
Product certifications	cUL
Ambient air temperature for operation	-10...50 °C without derating 50...60 °C with derating factor
Ambient air temperature for storage	-40...70 °C
Operating altitude	<= 1000 m without derating 1000...3000 m with power derating 1 % per 100 m
Operating position	Vertical or horizontal position
Type of cooling	Fan
Environmental characteristic	Chemical pollution resistance class 3C3 conforming to EN/IEC 60721-3-3 Dust pollution resistance class 3S2 conforming to EN/IEC 60721-3-3
Pollution degree	2 conforming to EN/IEC 61800-5-1

Packing Units

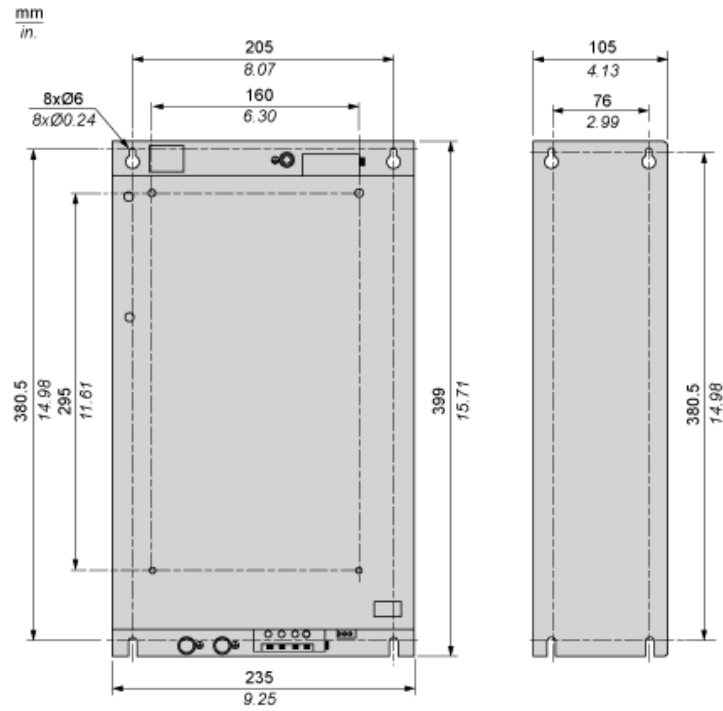
Unit Type of Package 1	PCE
Number of Units in Package 1	1
Package 1 Weight	13.565 kg
Package 1 Height	21.0 cm
Package 1 width	32.0 cm
Package 1 Length	61.0 cm
Unit Type of Package 2	P06
Number of Units in Package 2	4
Package 2 Weight	67.26 kg
Package 2 Height	73.5 cm
Package 2 width	60.0 cm
Package 2 Length	80.0 cm

Offer Sustainability

Sustainable offer status	Green Premium product
REACH Regulation	REACH Declaration
EU RoHS Directive	Pro-active compliance (Product out of EU RoHS legal scope) EU RoHS Declaration
Mercury free	Yes
RoHS exemption information	Yes
China RoHS Regulation	China RoHS Declaration
Environmental Disclosure	Product Environmental Profile
Circularity Profile	End Of Life Information
WEEE	The product must be disposed on European Union markets following specific waste collection and never end up in rubbish bins

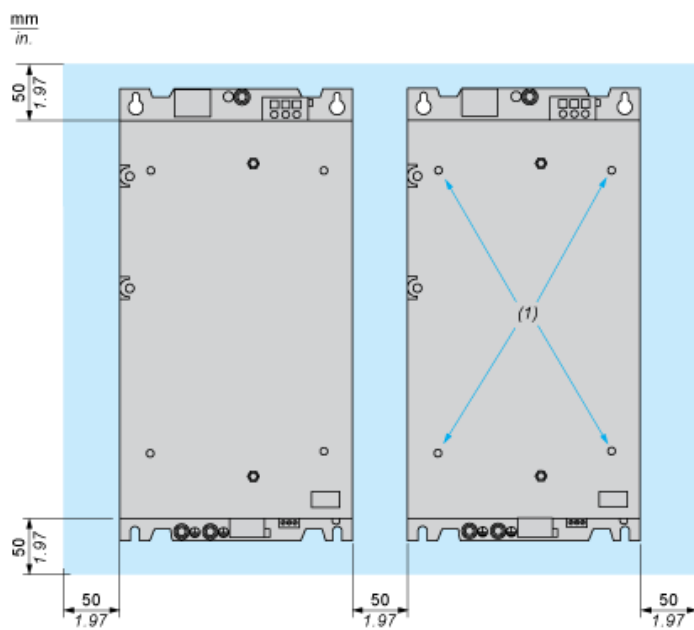
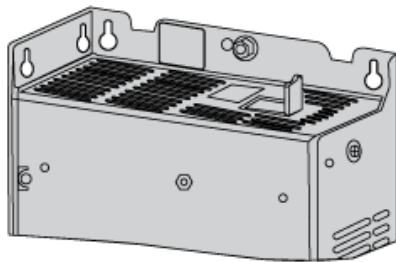
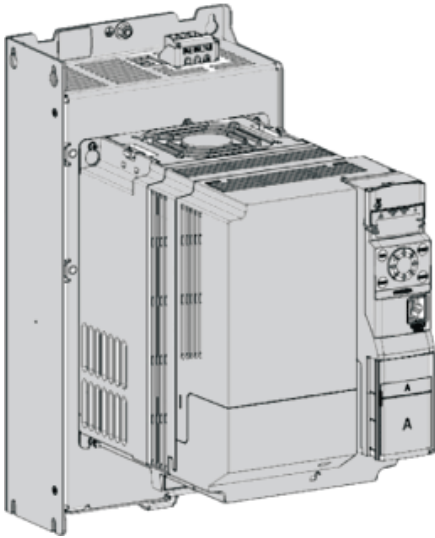
Dimensions

Front and Side Views

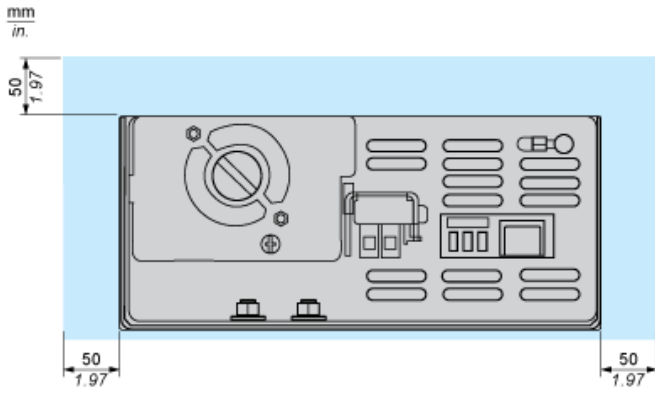


Mounting Recommendations

Vertical Flat Mounting

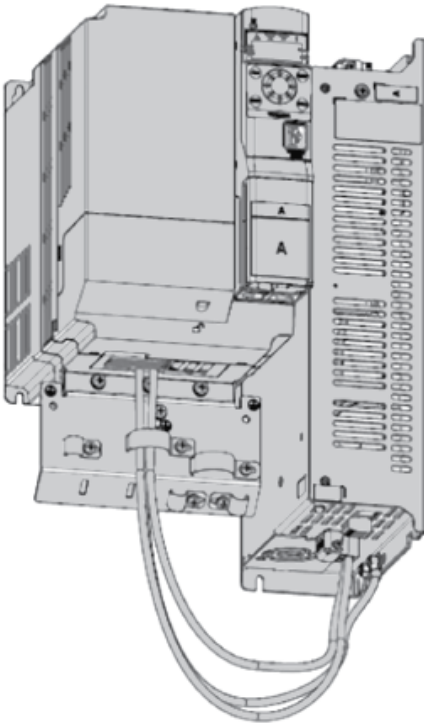


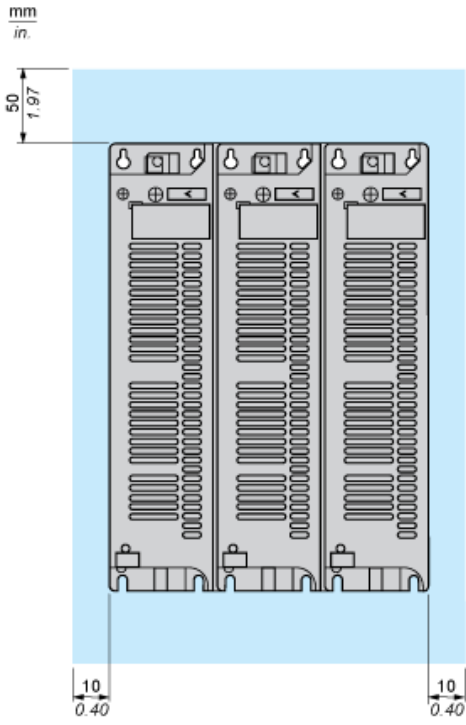
(1) : Fixing holes for ATV320



Mounting Recommendations

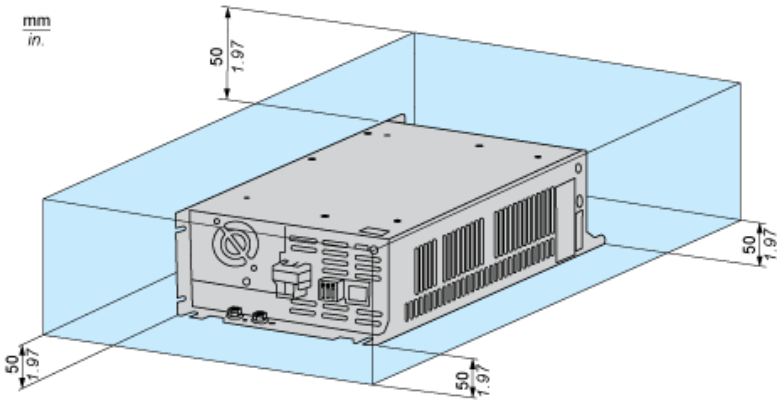
Side by Side Mounting





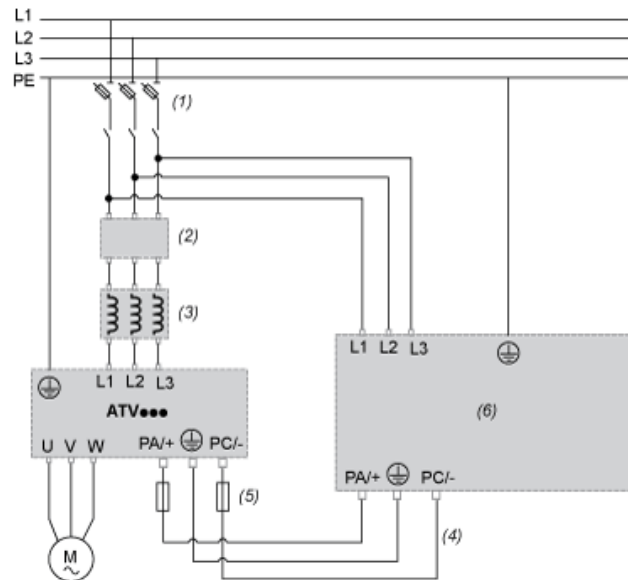
Mounting Recommendations

Horizontal Flat Mounting



Wiring Diagram

Drive and Regenerative Unit



- (1) : AC protection fuses
- (2) : Optional additional EMC input Filter (see drive catalog)
- (3) : Optional AC Choke (see drive catalog)
- (4) : DC bus link
- (5) : DC protection fuses
- (6) : Altivar Regenerative Unit