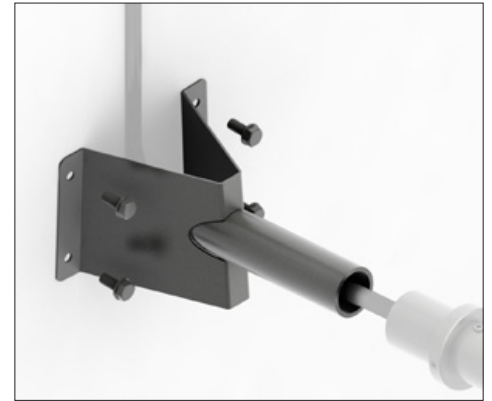
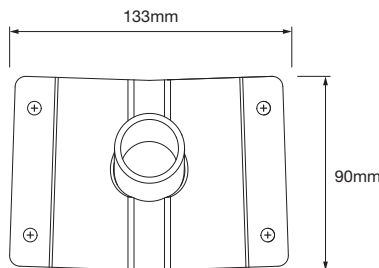
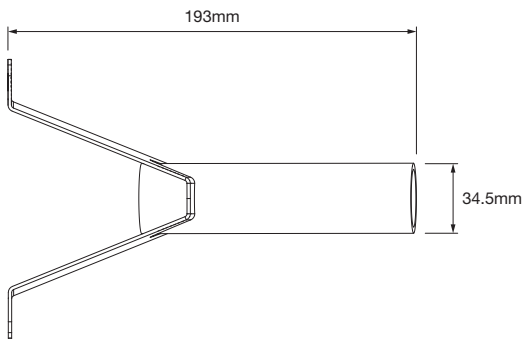




# WALL MOUNTING BRACKET TO A SPIGOT

## Dimensions



## Description

The Wall Mounting Bracket to a Spigot allows spigot mounted lights to be easily installed on any flat surface.

## Technical Specifications

<b>Suitable for</b>	DLK, DLK2, EWL
<b>Mounting</b>	4 x M6 Bolts (not included)
<b>Weight</b>	0.75kg
<b>Spigot size</b>	34.5mm

## Ordering Example

<b>ACC</b>	-	<b>WMB</b>	-	<b>SPIGOT</b>	-	<b>SS</b>
		WMB Wall mount bracket		SPIGOT 34.5mm OD mounting spigot		SS Stainless Steel 304 GAL Galvanized steel