

UP TO  
**87%**  
ENERGY SAVINGS

Fluorescent batten light replacement

**Vico**

Improved efficacy, Eco Dim switch & LiFePO4 battery

The Vico LED batten offers a quality T8 or T5 fluorescent batten replacement that will last for many years. It uses a series of quality Samsung LED modules that provide industry leading efficacy of up to 142 lumens per watt.

The Vico is an important addition to enLighten's growing range of intelligent LED lighting solutions for long lit low occupancy spaces, with a range that includes 2ft (600mm) 16W, 4ft (1200mm) 30W and 5ft (1500mm) 42W models.

The new Eco Dim switch allows the batten to operate in half power mode, this results in halving the light output as well.

### CONTRACTOR BENEFITS

- **Emergency and non emergency** options available
- **Ease of installation** with screwless gear tray and large terminal blocks
- **2ft, 4ft and 5ft options available**
- **IP65** - Ingress protection
- **IK10** - Highest level of impact resistance

### CLIENT BENEFITS

- **Microwave sensor option** to maximise energy savings
- **Environmentally friendly & stable** LiFePO4 battery
- **Eco Dim** - Switch to half power with a flick of a switch
- **Expected life >160,000hrs** @L70 delivered by high quality Samsung LEDs
- **Robust and water-resistant** UV stabilised case
- **High luminaire efficacy** of up to 142 lm/watt
- **5 year warranty**

### APPLICATIONS



CORRIDORS



FIRE STAIRS



STORE ROOMS



PLANT ROOMS



LARGE RETAIL



UNDERCOVER CAR PARKS

### FEATURES



SAFETY COMPLIANCE



MICROWAVE MOTION SENSOR



INGRESS PROTECTION



IMPACT RATING



EMERGENCY



ECO DIM: HALF POWER



YEAR WARRANTY

enLighten

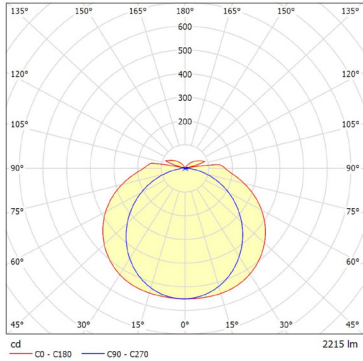
### PRODUCT RANGE

Model #	Description	Lumens (lm) Full light	Rated Power (W)	
			Full light	Standby
BL06	600mm standard	2215	16W	N/A
BL06S	600mm with MW sensor	2215	16W	5W
BL06E	600mm emergency	2215	16W	N/A
BL06ES	600mm emergency with MW sensor	2215	16W	5W
BL12	1200mm standard	4220	30W	N/A
BL12S	1200mm with MW sensor	4220	30W	7W
BL12E	1200mm emergency	4220	30W	N/A
BL12ES	1200mm emergency with MW sensor	4220	30W	7W
BL15	1500mm standard	5710	42W	N/A
BL15S	1500mm with MW sensor	5710	42W	10W
BL15E	1500mm emergency	5710	42W	N/A
BL15ES	1500mm emergency with MW sensor	5710	42W	10W

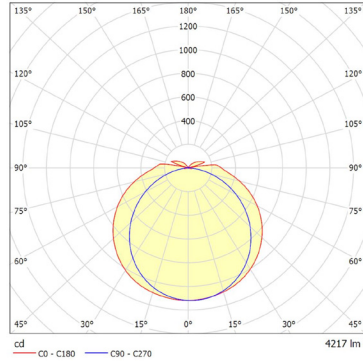


**Distributed by:**  
Reduction Revolution Pty Ltd  
[www.reductionrevolution.com.au](http://www.reductionrevolution.com.au)

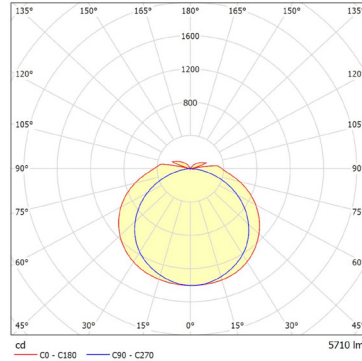
## PHOTOMETRICS



Model: BL06



Model: BL12



Model: BL15

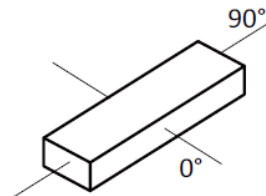
## OPTIONAL CONTROLS

Optional microwave sensor enables the light fitting to operate on a standby level of light output (20%) in both non-emergency and emergency models. On detection of movement, the light will switch to full power (100%) before returning to standby light output, after a set period of time, i.e. 5s, 30s, 90s, 3 minutes. The fittings can then switch off after 90s/3mins or remain on standby.

The Vico can now be easily switched to half power mode via an internal switch which reduces light output to half and saves energy.

## EMERGENCY CLASSIFICATION

Model#	C0	C90
BL06E / BL06ES	D80	D32
BL12E / BL12ES	D63	D40
BL15E / BL15ES	D63	D40

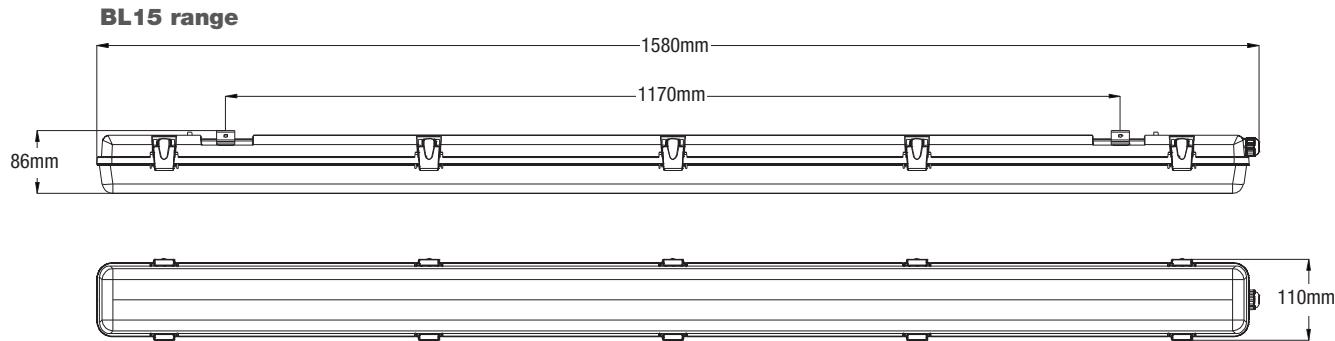
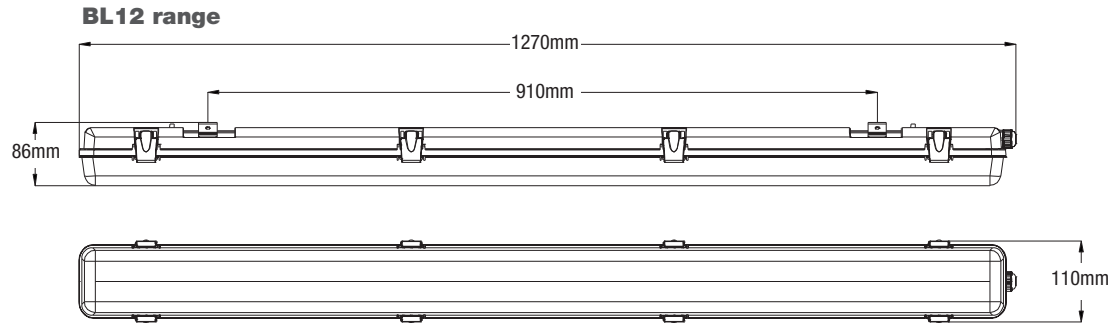
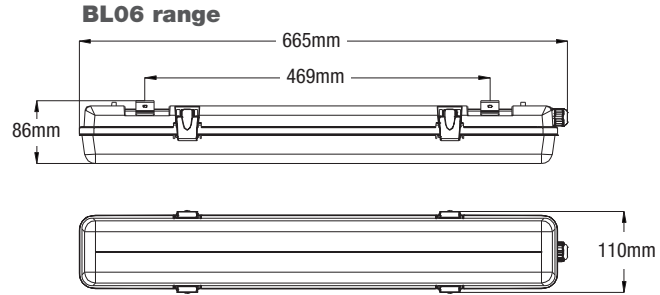


## TECHNICAL INFORMATION

Optical	
Light source	Samsung LEDs
Lumen output	2215 - 5710 lumens
CRI	Ra >80
CCT	4000K standard, 5000K and 5700K available on request
Electrical	
Power consumption	16W - 42W full light output
Operating frequency	50/60Hz
Operating voltage range	220 - 240V AC
Emergency light	
Battery rating	6.4V 3000 mAh LiFePO4
Discharge time	90 minutes
Environmental	
IP rating	IP65
Impact rating	IK10
Weight	600mm - 1.8kg, 1200mm - 2.9kg, 1500mm - 3.4kg
Ambient temperature range	-25°C to +40°C (standard models) 0°C to +40°C (emergency models)
Material Composition (body)	Polycarbonate, UV stabilised
Material Composition (diffuser)	Polycarbonate, UV stabilised
Expected Lifespan	>160,000 hours @L70
Controls - Optional	
Microwave sensor range	360 deg; max 8m (adjustable)
Microwave sensor operating interval	5 sec to 3 min (default setting 30 sec)
<b>Warranty*</b>	5 years (battery 2 year)

Data subject to change without notice  
\*Refer to warranty policy

**DIMENSIONS**



**COMPLIANCE**

The Vico batten range meets or exceeds all relevant standards and regulatory requirements.



For a full compliance and testing list visit [www.enlighten.com.au](http://www.enlighten.com.au). IES files, warranty, installation and product guides are also available for download.

Sold nationally through major electrical wholesalers.

