



Jack Termination Tool Lacing Fixture (SL / KJ / UNJ)

Product Classification

Regional Availability Asia | Australia/New Zealand | EMEA | Latin America | North America

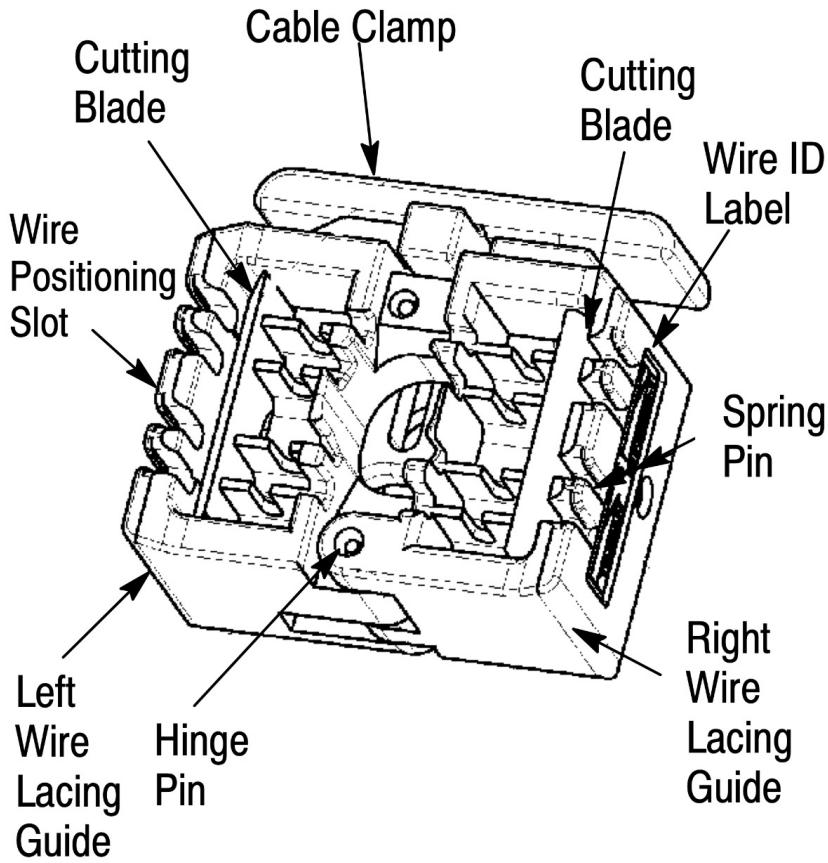
Portfolio CommScope®

Product Type Modular jack tooling

General Specifications

Application For use with SL Series outlets

Outline Drawing



Environmental Specifications

Environmental Space Indoor

Packaging and Weights

Packaging quantity 1

Packaging Type Box | Carton